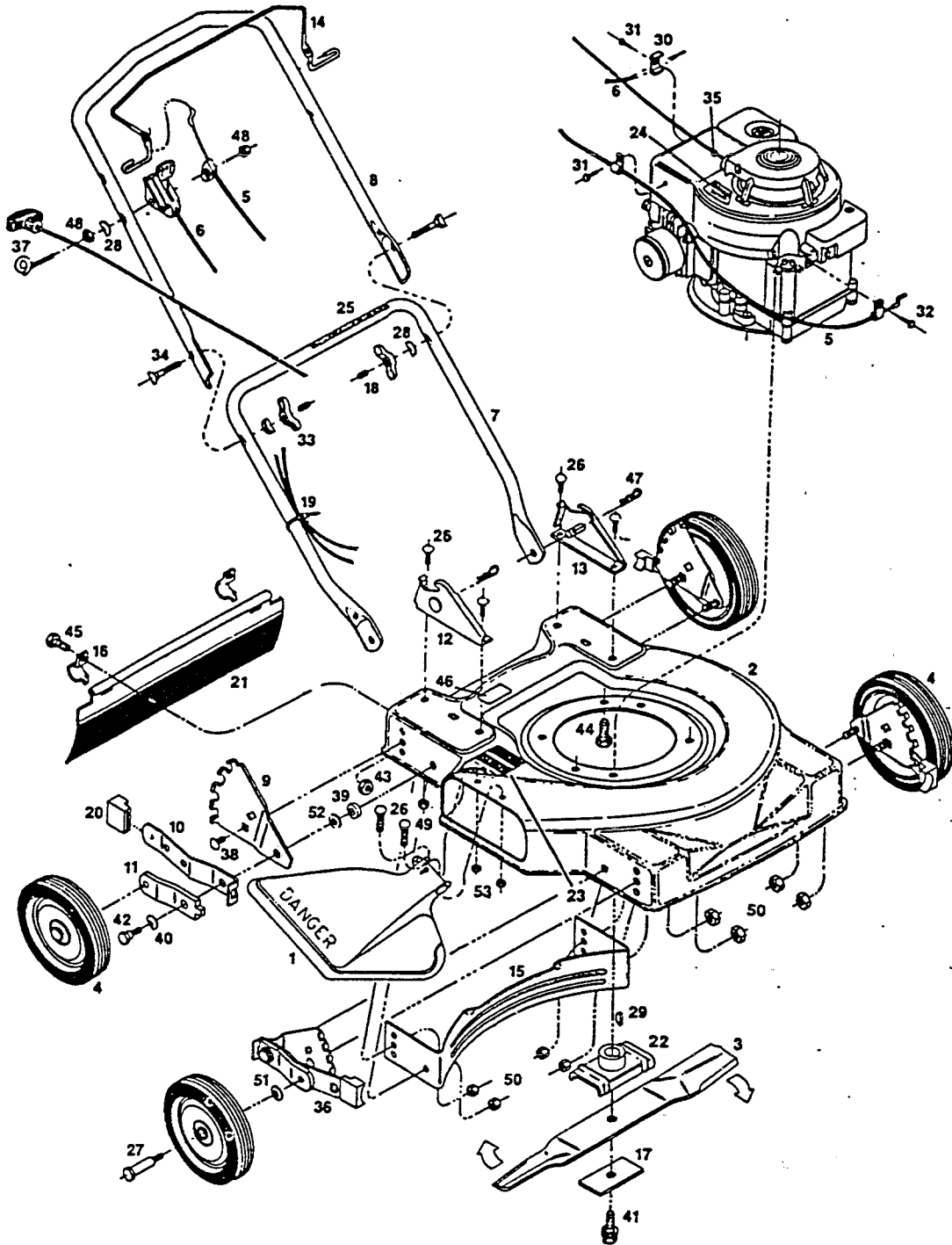


Model 53D
22" Rotary Mower
Grass Catcher GC-12



226134

**Model 53D
22" Rotary Mower
Grass Catcher GC-12**

INDEX NO.	PART NO.	DESCRIPTION
1	028886	Chute Deflector Assembly*
2	028894	Deck - 22"
3	030353	Blade - 22" - Offset
4	041111	Wheel - 8"
5	051037	Cable - Engine/Blade Control*
6	051060	Control - Throttle
7	071563	Handle - Lower
8	071142	Handle - Upper
9	090589	Back Plate - Height Adjuster
10	090613	Setting Lever - Height Adjuster
11	090969	Wheel Lever - Height Adjuster
12	104661	Handle Bracket - Right Hand
13	104679	Handle Bracket - Left Hand
14	107912	Bail Engine/Blade Control*
15	106625	Baffle - Rear Only
16	106914	Clip - Trailing Shield
17	106005	Blade Washer
18	110064	Bolt Cap
19	110379	Cable Tie
20	111260	Plastic Tip - Height Adjuster
21	111617	Trailing Shield*
22	126466	Blade Adapter
23	144063	Decal - Danger*
24	144204	Decal - Blade Warning*
25	144899	Decal - Starting Instructions
26	150011	Bolt - Carriage 1/4-20 x 5/8
27	150730	Shoulder Bolt - Wheel
28	150201	Washer - Curved 5/16
29	150276	Woodruff Key No. 6
30	150318	Cable Clamp
31	150623	Screw - Sheet Metal 10 x 5/8
32	151613	Bolt - Hex HD Sems #10-32 x 3/8
33	151795	Wing Nut 5/16-18
34	151936	Bolt - Curved Hd 5/16-18x2-1/4
35	152074	Rope Stop
36	128686	Height Adjuster Assembly
37	152629	Eyebolt - Rope Guide
38	152405	Bolt-Carriage 3/8-16 x 3/4
39	152413	Washer Plastic - Height Adjuster
40	152421	Washer Spring - Height Adjuster
41	152496	Bolt - Blade 3/8-24 x 1
42	153643	Shoulder Bolt - Height Adjuster
43	452318	Nut - #10-24 Hex Nylon Insert
44	457168	Bolt 3/8-16 x 7/8 TDFM
45	458687	Bolt - Hex Head 10-24 x 1/2
46	714170	Decal - Model Number
47	715011	Hairpin Cotter
48	715037	Locknut - 1/4-20 Keps
49	715078	Locknut - 1/4-20 Whiz
50	715086	Locknut - 3/8-16 Top
51	715607	Washer - Belleville
52	715417	Washer - 3/8 SAE
53	715508	Locknut - 1/4-20 Top

NOTE: Parts are right or left hand as viewed from operator position.
Approximate cutting heights 1-1/8" to 3-1/8".
Specifications subject to change without prior notice.