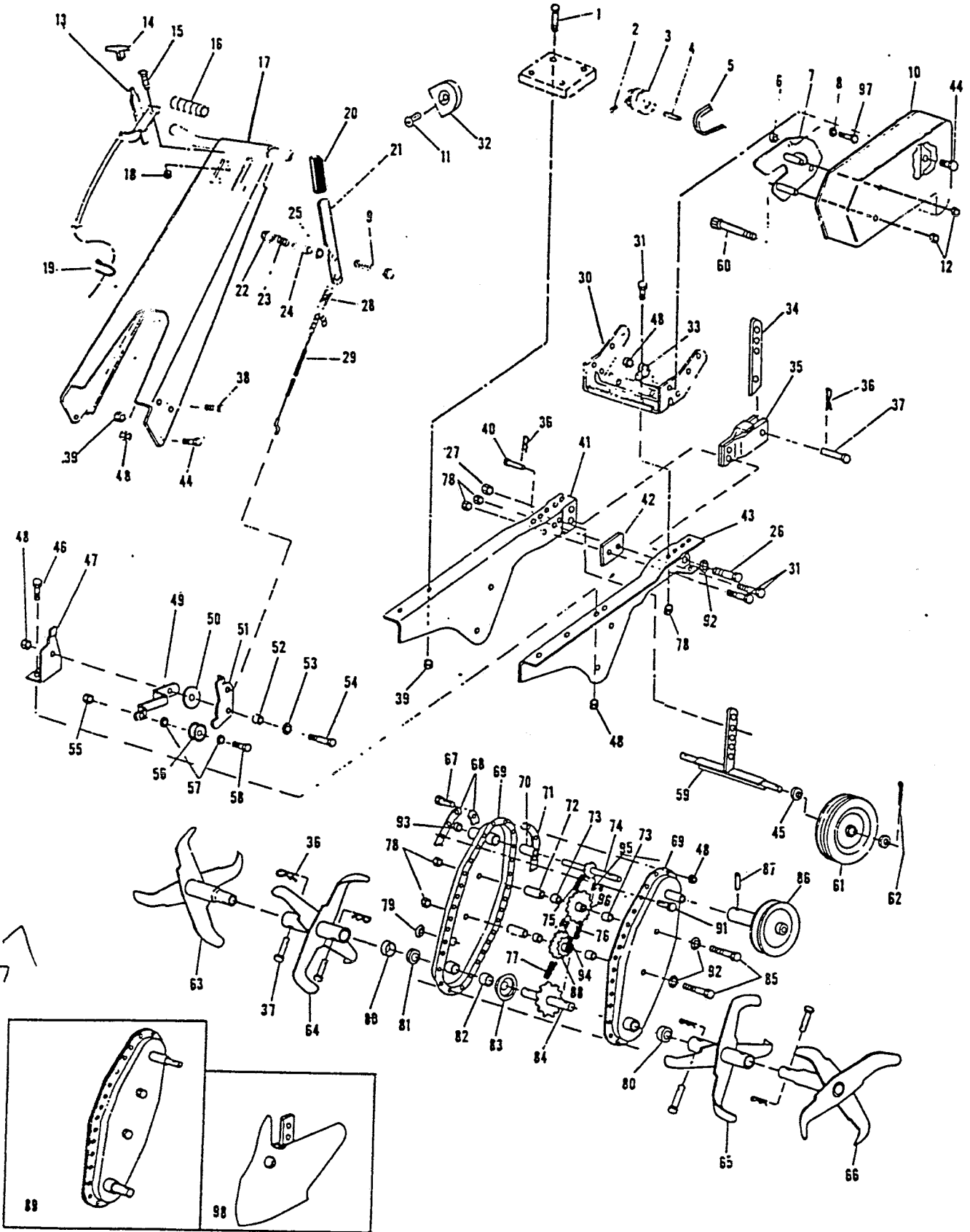


Model 53 GTD
5 hp Chain Drive Tiller



511337

**Model 53 GTD
5 hp Chain Drive Tiller**

Ref. No.	Part No.	Description	Ref. No.	Part No.	Description
1	150250	Bolt—Hex 5/16-18 x 1-1/2	51	463323	Plate—Idler Pivot
2	458844	Set Screw	52	467829	Spacer
3	420935	Pulley—Engine	53	461236	Washer 5/16
4	446757	Key	54	459909	Bolt—Hex 1/4-20 x 1
5	421321	Belt	55	715524	Nut—Locking 3/8-16 Jam
6	468678	Spacer	56	420745	Pulley Assembly—Idler
7	464206	Plate Assembly—Belt Guide	57	461731	Washer—Flat
8	715094	Washer—Lock	58	715326	Bolt—Hex 3/8-16 x 1
9	450379	Bolt—1/4-20 x 1-3/4	59	773085	Wheel Bracket Assembly
10	570853	Guard—Belt	60	450007	Bolt—Hex 1/4-20 x 3-1/4
11	120048	Screw—Muffler Deflector	61	498808	Wheel—10"
12	715078	Nut—Flange 1/4-20	62	317016	Cotter Pin 1/8 x 1
13	781419	Control—Throttle	63	786749	Tine Assembly—R.H. Outer
14	744037	Knob—Black	64	786681	Tine Assembly—R.H. Inner
15	458687	Screw—Hex 10-24 x 1/2	65	786665	Tine Assembly—L.H. Inner
16	751032	Grip	66	786723	Tine Assembly—L.H. Outer
17	570879	Panel Assembly	67	715052	Bolt—Hex 1/4-20 x 1/2
18	715334	Nut—Keps 10-24	68	426015	Strap—Nut Plate
19	110379	Cable Tie	69	432286	Weld Assembly—Transmission
20	761585	Tip—Lever	70	423442	Bearing—Input
21	422188	Lever	71	762021	Gasket—Transmission Housing
22	451419	Nut—Flange 1/4-20	72	432922	Sleeve
23	775072	Spring	73	423434	Bearing
24	468801	Spacer	74	417469	Shaft Assembly—Input
25	715409	Washer—Curved	75	425314	Chain—Roller No. 35
26	457176	Bolt—3/8-16 x 1-1/4	76	425421	Chain—Roller No. 420
27	715086	Nut—3/8-16 Lock	77	425348	Chain—Roller No. 50
28	775155	Spring—Cable	78	715441	Nut—Keps 3/8-16
29	749523	Cable—Control	79	426379	Plug—Oil Fill
30	417011	Channel—Handle Support	80	762245	Cover—Tine Hub Seal
31	458968	Bolt—Whizlock 3/8-16 x 1	81	774547	Seal—Output Shaft
32	132142	Deflector—Muffler	82	423731	Bearing
33	447979	Clamp	83	468033	Spacer—Tine Shaft
34	435032	Drag Bar	84	417501	Shaft Assembly—Output
35	772954	Drag Bracket Assembly	85	458927	Bolt—3/8-16 x 2-3/4
36	715011	Hairpin Cotter	86	420968	Pulley—Transmission
37	489823	Pin—3/8 x 1-5/8 Clevis	87	314062	Pin—Roll 1/4 x 1-1/8
38	450437	Bolt—Hex 5/16-18 x 5/8	88	434662	Sprocket Assembly—Lower
39	715490	Nut—Locking 5/16-18	89	432310	Transmission Assembly
40	488940	Pin—Clevis 1/2 x 1-1/4	90	468686	Spacer
41	446955	Beam—Main Support R.H.	91	458943	Bolt—1/4-20 x 5/8 Thread Forming
42	468058	Spacer—Main Support Beam	92	461780	Washer—3/8 T-Lock
43	446930	Beam—Main Support L.H.	93	774695	Seal—Input Shaft
44	449587	Bolt—1/4-20 x 5/8	94	425124	Master Link—No. 420
45	461749	Washer	95	424903	Master Link—No. 35
46	715045	Bolt—Hex 1/4-20 x 3/4	96	434696	Sprocket Assembly—Upper
47	771006	Bracket—Idler Mounting	97	150433	Bolt—Hex 1/4-20 x 2
48	715508	Nut—Locking 1/4-20			
49	778415	Arm—Forward Idler			
50	462762	Washer—Flat			
					OPTIONAL ACCESSORY
			98	465823	Furrowing Kit

Note: For additional tiller accessories consult your supplier or factory.