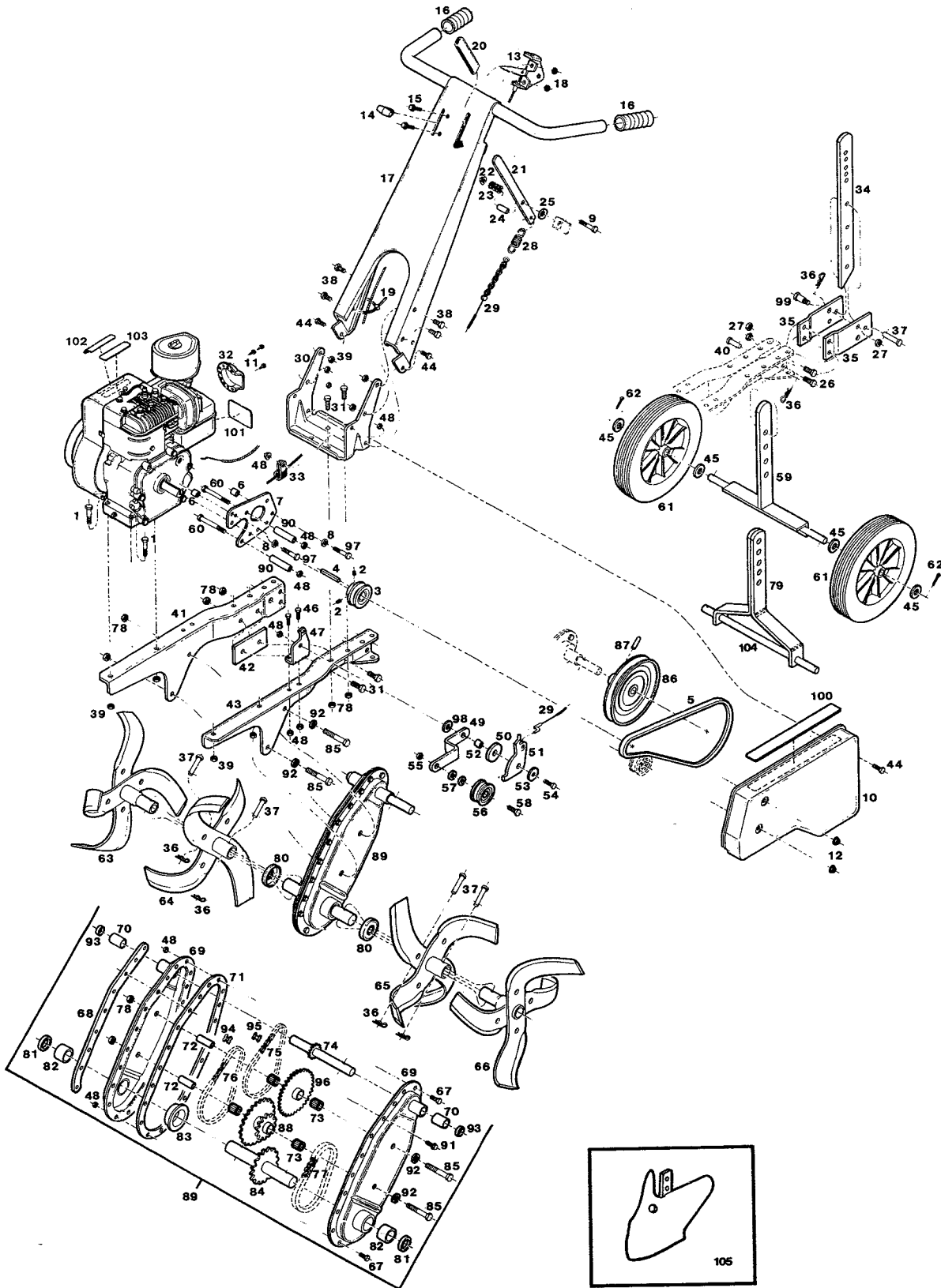


**MODEL 53 LCG**  
5 HP Chain Drive Tiller



**MODEL 53 LCG**  
5 HP Chain Drive Tiller

Ref. No.	Part No.	Description	Ref. No.	Part No.	Description
1	150250	Bolt—Hex 5/16-18 x 1-1/2	53	461236	Washer—Flat 33/64 x 1 5/8 x 11ga.
2	458844	Set Screw—Pulley	54	459909	Bolt—Hex 1/4-20 x 1
3	618744	Pulley—Engine	55	715524	Nut—Hex 3/8-16 Jam
4	446757	Key—Pulley	56	672923	Pulley—Idler
5	421321	Belt—Drive	57	461731	Washer—Flat
6	468678	Spacer—Belt Guide	58	457176	Bolt—Hex 3/8-16 x 1
7	464206	Guide—Belt	59	773085	Wheel Bracket Assembly
8	715094	Washer—Lock	60	450007	Bolt—Hex 1/4-20 x 3-1/4
9	450379	Bolt—Hex 1/4-20 x 1-3/4	61	498808	Wheel—10"
10	570499	Guard—Belt	62	317016	Cotter Pin 1/8 x 1
11	120048	Screw—Muffler Deflector	63	786749	Tine Assembly—R.H. Outer
12	715078	Nut—Hex 1/4-20 Whiz	64	786681	Tine Assembly—R.H. Inner
13	781419	Control—Throttle w/Cable	65	786665	Tine Assembly—L.H. Inner
14	744037	Knob—Throttle Lever	66	574749	Tine Assembly—L.H. Outer
15	458687	Screw—Hex 10-24 x 1/2	67	715052	Bolt—Hex 1/4-20 x 1/2
16	751032	Grip—Handlebar	68	426015	Strap—Nut Plate
17	570473	Panel Assembly	69	432260	Transmission—Half w/bearings
18	715334	Nut—Hex 10-24 Keps	70	423442	Bearing—Input Shaft
19	110379	Cable Tie	71	555151	Gasket—Transmission Housing
20	761585	Grip—Lever	72	432922	Sleeve—Bearing
21	422188	Lever—Engaging	73	423434	Bearing—Sprocket
22	451419	Nut—Hex 1/4-20 Flange	74	417469	Shaft—Input w/Sprocket
23	775072	Spring—Lever	75	425314	Chain—Roller No. 35
24	468801	Spacer—Spring	76	425421	Chain—Roller No. 420
25	715607	Washer—Belleville	77	425348	Chain—Roller No. 50
26	457176	Bolt—Hex 3/8-16 x 1-1/4	78	715441	Nut—Hex 3/8-16 Keps
27	715086	Nut—Hex 3/8-16 Lock	79	574780	Wheel Bracket
28	775155	Spring—Cable	80	762245	Cover—Tine Hub Seal
29	749523	Cable—Control	81	774547	Seal—Output Shaft
30	447011	Channel—Handle Support	82	423731	Bearing—Output Shaft
31	458968	Bolt—Hex 3/8-16 x 1	83	468033	Spacer—Tine Shaft
32	132142	Deflector—Muffler	84	417501	Shaft—Output w/Sprocket
33	447979	Clamp—Control Cable	85	458927	Bolt—Hex 3/8-16 x 2-3/4
34	435032	Bar—Depth	86	420968	Pulley—Transmission
35	571232	Plate—Depth Bar	87	314062	Pin—Roll 1/4 x 1-1/8
36	715011	Hairpin Cotter	88	590000	Sprocket—Lower w/bearings
37	489823	Pin—Clevis 3/8 x 1-5/8	89	432310	Transmission Assembly
38	450437	Bolt—Hex 5/16-18 x 5/8	90	468686	Spacer—Belt Guide
39	715490	Nut—Hex 5/16-18	91	153601	Bolt—Hex 1/4-20 x 3/4
40	488940	Pin—Clevis 1/2 x 1-1/4	92	461780	Washer—3/8 T-Lock
41	446955	Beam—Main Support R.H.	93	774695	Seal—Input Shaft
42	468058	Spacer—Main Support Beam	94	425124	Master Link—No. 420
43	446930	Beam—Main Support L.H.	95	424903	Master Link—No. 35
44	449587	Bolt—Hex 1/4-20 x 5/8	96	590018	Sprocket—Upper w/bearings
45	151241	Washer—Wheel	97	150433	Bolt—Hex 1/4-20 x 2
46	715045	Bolt—Hex 1/4-20 x 3/4	98	152553	Washer—Thrust 1/2 ID x .032 Hardened
47	771006	Bracket—Idler Mounting	99	153650	Bolt—shoulder 3/8-16
48	715508	Nut—Hex 1/4-20 Lock	100	551648	Decal—Caution
49	557330	Arm—Idler	101	551655	Decal—Tine Warning
50	462762	Washer—Flat 1 1/8 x .327 x .060	102	551713	Decal—Hand Placement
51	463323	Plate—Idler Pivot	103	551846	Decal—Caution Disengage
52	467829	Spacer—Pivot Plate	104	557116	Axle—Wheel

**OPTIONAL ACCESSORY**

105 465823 Furrowing Kit

**NOTE:** Fill transmission with (not shown) P/N 432849 gear lube