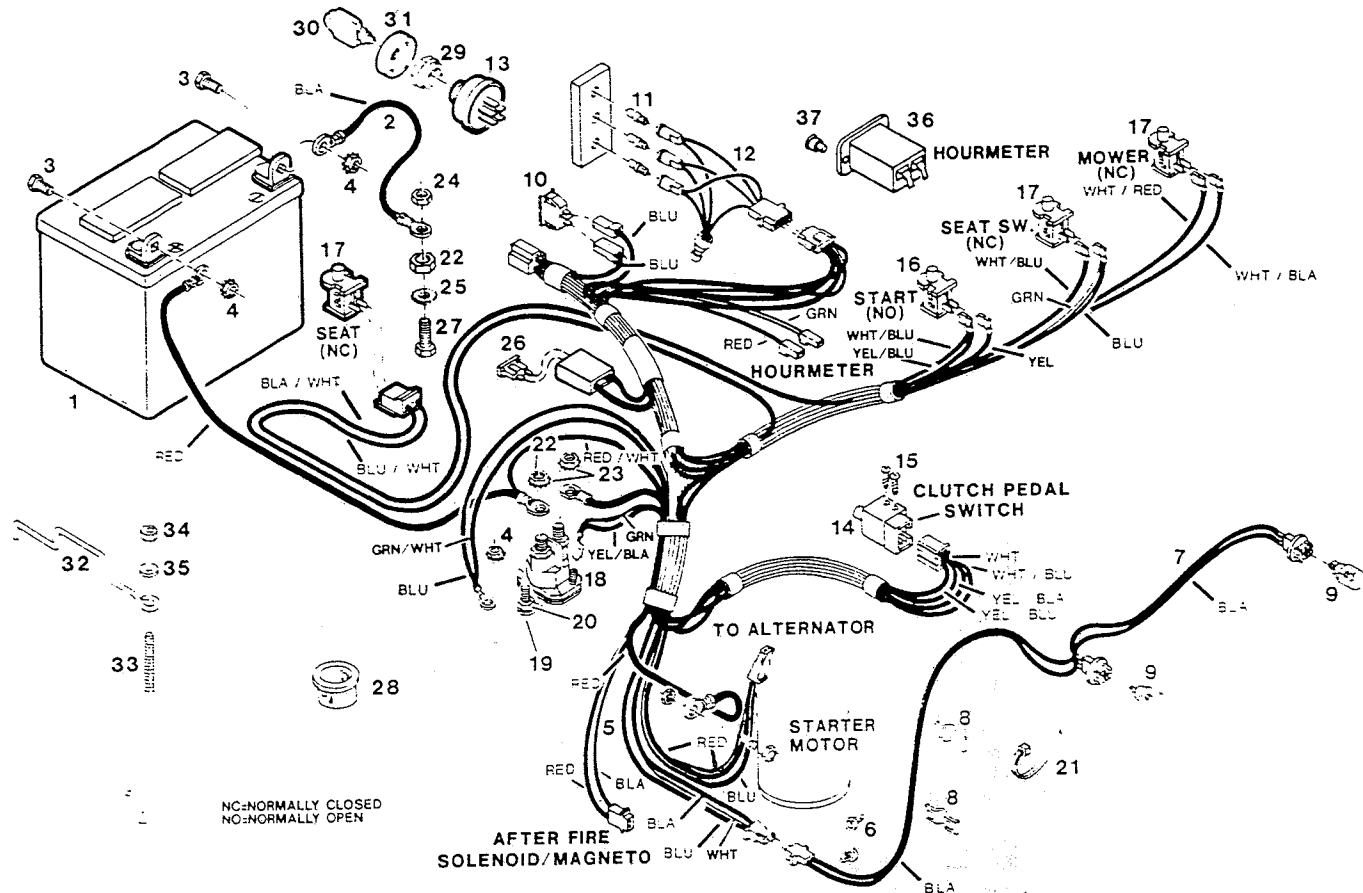


**MODEL 545M**  
**15 hp 43" Cut Hydrostat Riding Mower**  
**Uses Grass Catcher Model 43/46**

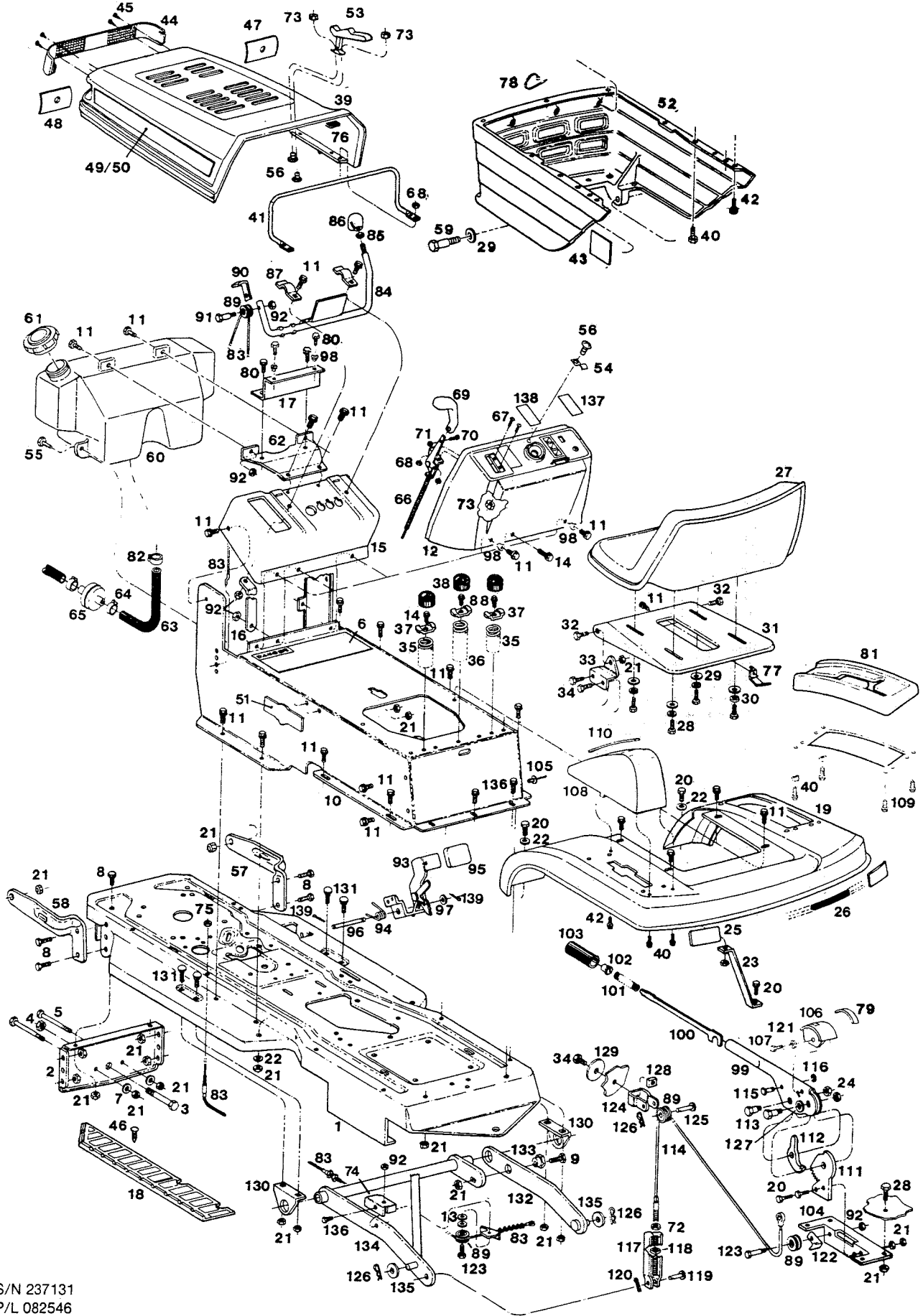


## ELECTRICAL SYSTEM

Index No.	Part No.	Description	Index No.	Part No.	Description
1	138735	Battery - 12 volt, dry	19	158121	Bolt - hex 1/4-20 x 3/4
2	134908	Wire - battery ground, black	20	616375	Nut - hex 1/4-20
3	449587	Bolt - hex 1/4-20 x 5/8	21	110379	Tie - cable
4	715037	Nut - hex 1/4-20 keps	22	157974	Nut - hex 5/16-24
5	138978	Harness - wiring	23	152975	Washer - lock 5/16 ext tooth
6	112326	Retainer - harness	24	310151	Nut - hex 5/16-18 nylok
7	136945	Harness - headlights	25	153510	Washer - lock 5/16 int tooth
8	134676	Retainer - harness, press-on	26		Fuse - 15 amp (purchase locally)
9	135533	Bulb - headlights	27	152108	Bolt - hex 5/16-18 x 1
10	135814	Switch - headlights	28	114942	Bushing - wire insulator
11	136051	Bulb - monitor indicator	29	158717	Nut - switch
12	136192	Harness - indicator lights	30	136242	Key - ignition
13	138081	Switch - ignition w/o keys	31	112698	Boot - ignition switch
14	138925	Switch - clutch interlock	32	096123	Bracket - battery hold-down
15	157933	Screw - pan head #12	33	096115	Rod - battery hold-down
16	135822	Switch - no start	34	452615	Nut - hex 1/4-20 nylok
17	138750	Switch - system interlock	35	615690	Washer - flat 1/4
18	134940	Solenoid - starter	36	138867	Hourmeter
			37	764217	Rivet - pop 1/8

S/N 237131  
 P/L 082546  
 O/M 082547  
 E/M 082747

**MODEL 545M**  
**15 hp 43" Cut Hydrostat Riding Mower**  
**Uses Grass Catcher Model 43/46**



S/N 237131  
P/L 082546  
O/M 082547  
E/M 082747

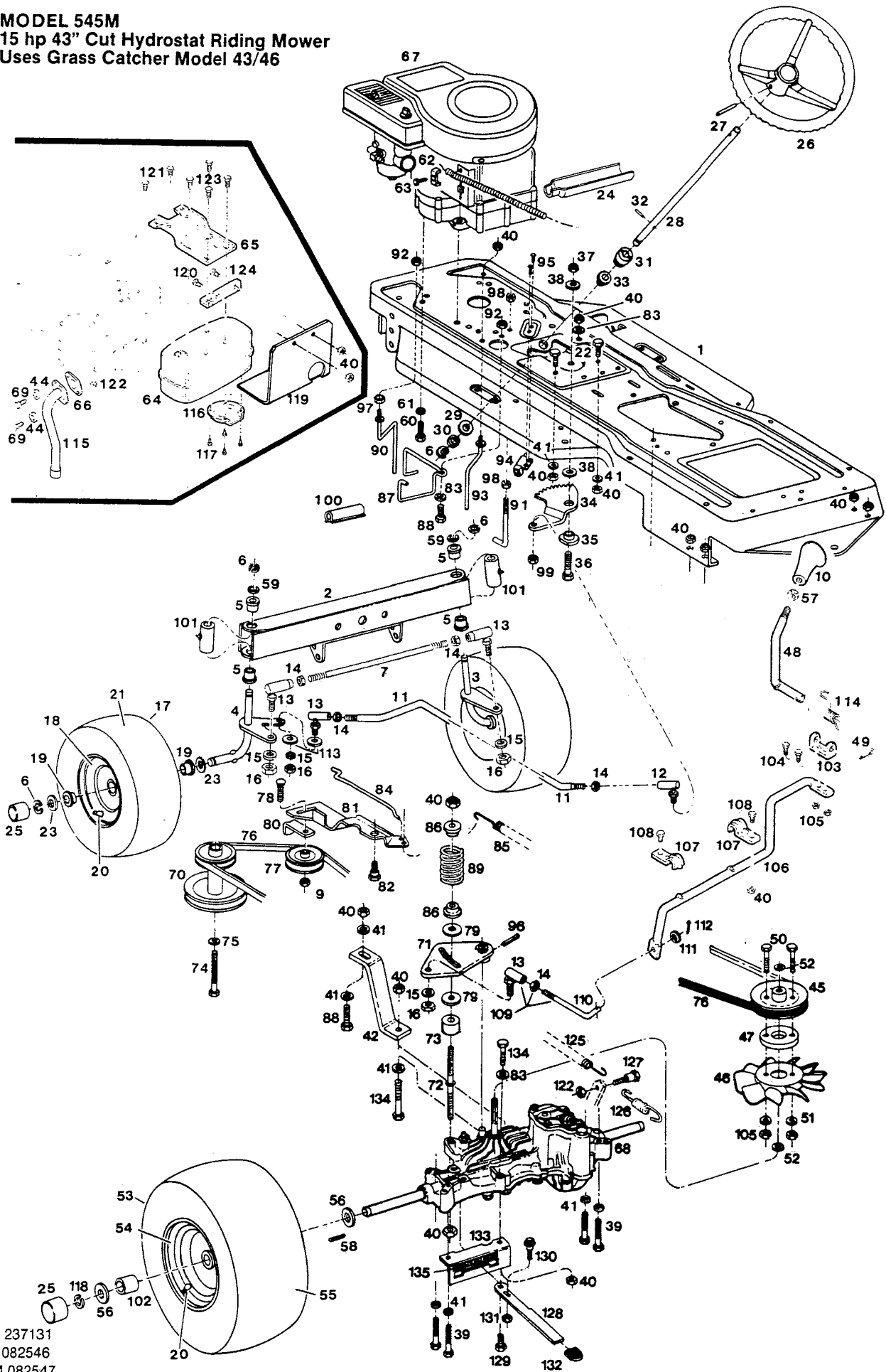
# MAIN FRAME

**MODEL 545M**  
**15 hp 43" Cut Hydrostat Riding Mower**  
**Uses Grass Catcher Model 43/46**

Index No.	Part No.	Description	Index No.	Part No.	Description
1	023341	Frame - main	71	159244	Nut - hex 8-32
2	019240	Bracket - front axle	72	310052	Nut - hex 1/4-20
3	380303	Bolt - hex shoulder 1/2-13 x 2-5/8	73	452102	Nut - hex keps #8-32
4	380311	Nut - hex jam 1/2-13 top lock	74	174128	Bracket - cable pulley
5	164699	Bolt - shoulder 5/16-18 x 2-7/8	75	159426	Nut - hex jam 1/4-28
6	009589	Decal - DANGER on console	76	446799	Pad - hood
7	462762	Washer - flat 5/16	77	013755	Bracket - seat switch
8	157636	Bolt - hex 5/16-18 x 3/4 whiz	78	110379	Strap - tie
9	156968	Bolt - hex 5/16-18 x 1-1/4	79	008433	Decal - height indicator numbers
10	017996	Console - chassis	80	158097	Screw - taptite 1/4-20 x 5/8
11	158089	Screw - taptite 1/4-20 x 1/2	81	095288	Guide - shift lever
12	115113	Dash - plastic	82	162404	Clamp - fuel line
13	158956	Washer - 1/4 special	83	053037	Cable - blade drive control Includes 13, 74, 89, 92 & 123
14	450858	Screw - taptite 1/4-20 x 3/4	84	098848	Lever - blade drive control
15	013763	Support - dash	85	615625	Nut - hex jam 1/2-13
16	013771	Brace - dash	86	112664	Knob - lever
17	013789	Brace - dash & fuel tank	87	097253	Clip - lever retaining
18	114769	Pad - foot, L.H. platform	88	097527	Clamp - center spring
	114751	Pad - foot, R.H. platform (not shown)	89	092429	Pulley - cable
19	018036	Fender - rear wheels	90	096305	Retainer - cable
20	152108	Bolt - hex 5/16-18 x 1	91	157446	Bolt - shoulder 1/4-20 x 1-3/8
21	310151	Nut - hex 5/16-18 nylok	92	452615	Nut - hex 1/4-20 nylok
22	158469	Washer - flat	93	093815	Pedal - clutch/brake w/brake lever
23	013797	Brace - fender L.H.	94	100008	Spring - pedal return
24	157610	Nut - hex 5/16-18 flanged	95	112235	Pad - pedal
25	114850	Reflector - fender, red	96	087668	Shaft - pedal
26	112318	Strip - fender trim	97	158345	Washer - flat 1/2
27	115459	Seat	98	381822	Bushing - nylon w/shoulder
28	450346	Bolt - hex 5/16-18 x 3/4	99	022665	Lever - height adjusting
29	715185	Washer - flat 5/16	100	172403	Rod - lever
30	311118	Washer - lock 5/16	101	097295	Spring - lever
31	013888	Plate - seat mount	102	112672	Knob - adjusting lever
32	157503	Bolt - hex shoulder, 5/16-18 x 5/32	103	112680	Grip - lever
33	013037	Bracket - seat plate	104	014134	Bracket - adjusting lever
34	450437	Bolt - hex 5/16-18 x 5/8	105	715243	Rivet - pop
35	135301	Spring - seat, short	106	113316	Indicator - height of cut
36	135830	Spring - seat, long	107	158527	Screw 8-32 x 3/8
37	097386	Clamp - seat spring	108	113290	Cover - height adjust lever
38	112417	Cover - seat spring	109	158840	Screw - taptite 10-24 x 3/4
39	114959	Hood - upper	110	008425	Decal - cover
40	158832	Screw - taptite 10-24 x 1/2	111	098459	Quadrant - height adjust
41	098343	Support - hood	112	098467	Pawl - height adjust
42	159400	Screw #10-24 x 1	113	158675	Bolt - shoulder 5/16-18 x 5/8
43	006874	Decal - heat reflective	114	052563	Cable - deck lifting
44	112565	Lens - headlights	115	097337	Pin - clevis
45	158865	Screw - taptite 6 x 1/2	116	158857	E Ring
46	113738	Fastener - foot pad	117	159137	Clevis - lift cable
47	797696	Reflector - headlight R.H.	118	157966	Nut - square 1/4-20
48	797704	Reflector - headlight L.H.	119	157263	Pin - clevis
49	799627	Decal - hood side L.H.	120	715029	Pin - cotter 3/32 x 3/4
50	799626	Decal - hood side R.H.	121	715136	Washer - flat #10
51	799814	Logo - plastic 15-43	122	097352	Retainer - cable
52	113183	Hood - lower	123	158683	Bolt - shoulder 1/4-20 x 1
53	115139	Latch - hood	124	097279	Clevis - pulley, fender
54	115147	Keeper - hood latch	125	097287	Pin - clevis
55	158824	Screw - taptite 1/4-10 x 3/4	126	715011	Hairpin cotter
56	459925	Screw - phil head #8-32 x 3/8	127	159343	Washer - flat 1/2
57	093989	Bracket - lower hood R.H.	128	158923	Nut - square 5/16-18
58	093997	Bracket - lower hood L.H.	129	014142	Washer - formed
59	162057	Bolt - shoulder 5/16-18	130	013813	Bracket - hanger
60	114025	Tank - fuel, 3 gal.	131	313502	Bolt - rd. head 5/16-18 x 1
61	115473	Cap - fuel tank	132	019976	Link - suspension R.H.
62	015305	Bracket - fuel tank	133	158691	Nut - eccentric, deck leveling
63	673152	Hose - fuel line	134	022418	Suspension Assembly - lift
64	303859	Clamp - fuel line	135	156075	Washer - flat 1/2
65	432625	Filter - fuel	136	159228	Screw - tapping 5/16-18 x 3/4
66	052506	Control - throttle w/cable	137	006593	Decal - monitor lights
67	158451	Screw - pan hd. 10-24 x 5/8	138	798843	Decal - dash L.H.
68	452318	Nut - hex 10-24 nylok	139	317016	Pin - cotter
69	112730	Knob - throttle lever	--	392043	Kit-hitch extension
70	159335	Screw - pan head 8-32 x 3/8	--	115303	Cover - vinyl (optional)

S/N 237131  
P/L 082546  
O/M 082547  
E/M 082747

**MODEL 545M**  
**15 hp 43" Cut Hydrostat Riding Mower**  
**Uses Grass Catcher Model 43/46**



S/N 237131  
P/L 082546  
O/M 082547  
E/M 082747

# CHASSIS GROUP

**MODEL 545M**  
**15 hp 43" Cut Hydrostat Riding Mower**  
**Uses Grass Catcher Model 43/46**

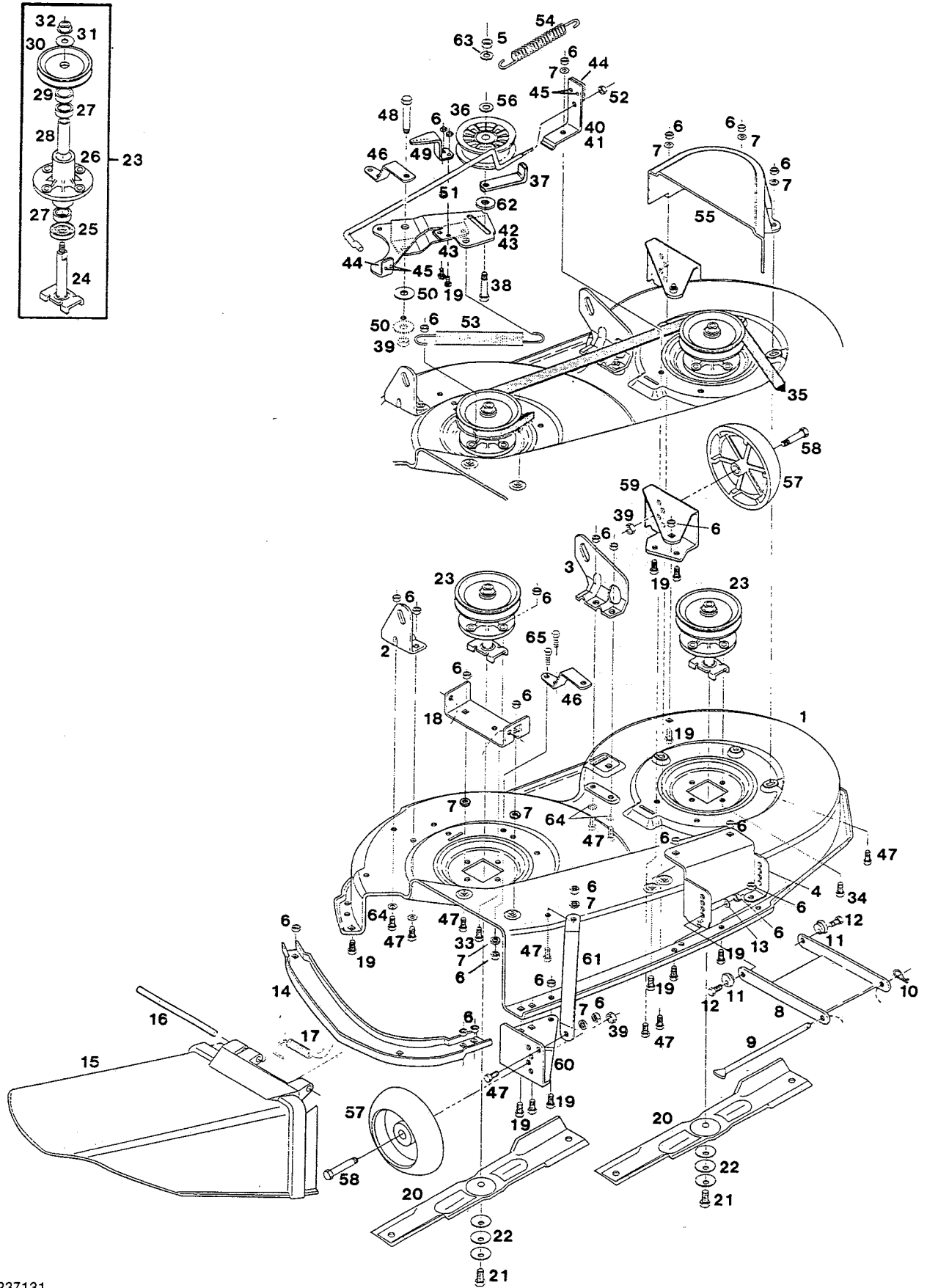
Index No.	Part No.	Description	Index No.	Part No.	Description
1	023341	Frame - main	70	095285	Pulley - engine, double
2	016907	Axle - front	71	095377	Plate - pivot
3	018895	Spindle.- steering R.H.	72	166637	Stud - pivot plate
4	018903	Spindle - steering L.H.	73	095367	Spacer - pivot plate
5	134999	Bearing - spindle	74	158964	Bolt - hex 7/16-20 x 5
6	316513	Ring - retainer	75	311068	Washer -lock 7/16
--	095877	Tie Rod Assembly - includes 7, 13 & 14	76	171215	Belt - drive
7	098442	Rod - tie, steering	77	109645	Pulley - idler
9	451195	Nut - hex 3/8-16 nylok	78	158444	Bolt - carriage 3/8-16 x 2
10	112664	Knob-shift lever	79	150755	Washer - fibre
	089540	Drag Link Assembly (includes 11, 12, 13 and 14)	80	015198	Retainer - belt
			81	015875	Arm - idler
11	089425	Link - drag, steering	82	159129	Bolt - shoulder 5/16-18 x 11/16
12	135244	Joint - ball, sector end	83	158212	Washer - flat
13	135038	Joint - ball, axle end	84	095794	Rod - clutch
14	158105	Nut - hex jam 3/8-24	85	135228	Spring - clutch
15	150185	Washer - lock 3/8	86	095366	Washer - stepped
16	615633	Nut - hex 3/8-24	87	097261	Guide - belt
17	043195	Wheel - front, w/tire & rim	88	152108	Bolt - hex 5/16-18 x 1
18	043204	Rim - front tire	89	135632	Spring - friction pressure
19	094908	Bearing - wheel	90	097790	Guide - belt
20	136291	Stem - valve	91	087791	Rod - stop, mower deck
21	042895	Tire - front 15 x 6.00 tubeless	92	159145	Nut - hex jam 5/16-18
22	157941	Bolt - hex 5/16-18 x 7/8	93	097808	Guide - belt
23	158063	Washer - flat 3/4	94	138925	Switch - clutch interlock
24	112805	Trough - engine oil drain	95	157933	Screw - pan head #12
25	112417	Cap - hub	96	166635	Pin - roll
26	112771	Wheel - steering	97	150136	Nut - hex keps 5/16-18
27	159434	Pin - roll 1/4 x 2	98	451500	Nut - hex keps 3/8-16
28	095844	Shaft - steering	99	162420	Nut - hex 3/8 - 24 flange
29	159376	Washer - flat special	100	113381	Sleeve - split, belt guide
30	158162	Washer - flat 3/4	101	391748	Sleeve w/grease fitting (order 391755 kit)
31	109801	Pinion - steering	102	095369	Spacer - rear wheel
32	158766	Pin - dowel 1/4 x 1-3/4	103	179424	Bracket - shift lever
33	136275	Bushing - steering pinion	104	159004	Bolt - hex 1/4-20 x 3/4
34	109850	Sector - steering	105	452615	Nut - hex 1/4-20 nylok
35	134742	Eccentric - steering adjust	106	095359	Lever - shift - lower
36	158147	Bolt - hex 1/2-13 x 1-1/2	107	179119	Clip - retainer, lower lever
37	382473	Nut - hex 1/2-13 nylok	108	450437	Bolt - hex 5/16-18 x 5/8
38	158170	Washer - flat	109	095357	Link - shift, with ball joint (includes 13, 14, 15, 16 and 110)
39	158154	Bolt - hex 5/16-18 x 2-3/4	110	095358	Link - shift
40	310151	Nut - hex 5/16-18 nylok	111	159921	Washer
41	715185	Washer - flat 5/16	112	715029	Pin - cotter
42	023800	Brace - transaxle	113	715417	Washer - flat 3/8
43	159228	Bolt - hex tap 5/16-18 x 3/4	114	179408	Spring - torsion, shift lever
44	311118	Washer - lock 5/16	115	094003	Pipe - exhaust
45	095370	Pulley - transmission	116	086017	Deflector - exhaust
46	115493	Fan - cooling, transmission	117	158527	Screw - taptite #8-32 x 3/8
47	095376	Spacer - fan/pulley	118	616268	Ring - retainer, wheel
48	089201	Lever - gear shift, upper	119	023673	Shield - heat
49	317016	Pin - cotter	120	158907	Bolt - carriage 5/16-18 x 5/8
50	450353	Bolt - hex 1/4-20 x 1-1/4	121	159483	Screw - hex tap 5/16-18 x 1/2
51	615690	Washer - flat 1/4	122	616342	Nut - hex 5/16-18 center lock
52	620807	Ring - retainer	123	158097	Bolt - hex tap 1/4-20 x 5/8
53	043199	Wheel - rear w/tire & rim	124	178681	Bracket - heat shield
54	043206	Rim - rear tire	125	095378	Spring - brake
55	043205	Tire - rear 20 x 8.00 tubeless	126	095379	Spring - brake return
56	158188	Washer - flat	127	164981	Bolt - shoulder 5/16-18
57	615625	Nut - hex jam 1/2-13	128	023793	Lever - control, hydrostatic valve
58	446369	Key - rear wheel	129	382911	Bolt - shoulder 5/16-18
59	715144	Washer - flat 3/4	130	382913	Bolt - shoulder #8-32
60	158014	Bolt - hex tap 3/8-16 x 1-1/4	131	151894	Nut - hex #8-32 nylok
61	153551	Washer - lock 3/8 ext tooth.	132	114462	Tip - lever end
62	159269	Clamp - throttle cable	133	023794	Bracket - lever guide
63	159277	Screw - cable clamp	134	457085	Bolt - hex 5/16-18 x 2
64	092676	Muffler - exhaust	135	799835	Decal - run/push
65	017897	Bracket - muffler	--	042077	Tube - front tire (optional)
66	134692	Gasket - muffler	--	042093	Tube - rear tire (optional)
67	*	Engine - 15 HP	--	393736	Sealant - tire 16 oz. bottle
68	**	Transmission - hydro	--	393744	Sealant - tire 32 oz. bottle
69	450346	Bolt - hex 5/16-18 x 3/4			

\*Contact Engine Manufacturer's authorized service dealer for parts and warranty.

\*\*Contact Tuff Torq authorized service dealer or distributor for parts and warranty.

S/N 237131  
P/L 082546  
O/M 082547  
E/M 082747

**MODEL 545M**  
**15 hp 43" Cut Hydrostat Riding Mower**  
**Uses Grass Catcher Model 43/46**



S/N 237131  
P/L 082546  
O/M 082547  
E/M 082747

## 43" MOWER DECK AND DRIVE

Index No.	Part No.	Description	Index No.	Part No.	Description
1	022012	Deck - mower 43"	35	138487	Belt - blade drive
2	014498	Bracket - deck lift R.H.	36	098004	Pulley - idler
3	014506	Bracket - deck lift L.H.	37	098012	Retainer - belt
4	019489	Bracket - deck drawbar	38	158444	Bolt - carriage 3/8-16 x 2
5	715391	Nut - hex 3/8-16 flange	39	451195	Nut - hex 3/8-16 nylok
6	310151	Nut - hex 5/16-18 nylok	40	086660	Arm - blade brake w/brake pad (includes 41, 44 & 45)
7	715185	Washer - flat 5/16	41	086678	Arm - blade brake w/o brake pad
8	014431	Drawbar - deck	42	089680	Arm - idler w/brake pad (includes 43, 44 & 45)
9	097469	Pin - drawbar	43	022608	Arm - idler w/o brake pad
10	715011	Hairpin - cotter	44	135046	Pad - brake
11	158691	Nut - eccentric, deck leveling	45	159152	Rivet - brake pad 3/16 x 1/2
12	156968	Bolt - hex 5/16-18 x 1-1/4	46	023242	Bracket - idler arm
13	159194	Washer - flat 5/16 special	47	450346	Bolt - hex 5/16-18 x 3/4
14	019521	Guard - toe	48	381616	Bolt - shoulder 3/8-16 x 2-3/4
15	114074	Deflector - discharge opening	49	023283	Bracket - extension
16	086595	Pin - deflector hinge	50	158337	Washer - flat 3/8
17	086322	Spring - deflector	51	086694	Rod - brake release
18	019513	Bracket - deflector	52	452615	Nut - hex 1/4-20 nylok
19	450437	Bolt - hex 5/16-18 x 5/8	53	109637	Spring - brake engaging
20	019471	Blade - hi lift 21-3/4	54	086710	Spring - clutch engaging
--	022079	Blade - no lift (optional)	55	115487	Guard - belt pulley LH
21	158543	Bolt - hex nylock 3/8-24 x 1	56	715417	Washer - flat
22	158055	Washer - conical lock	57	042226	Wheel - deck 6"
23	094920	Spindle Assembly - blade (includes 24-32)	58	157495	Bolt - shoulder 3/8-16 x 2-3/8
24	098160	Shaft - blade w/saddle	59	019455	Bracket - deck wheel, rear
25	134981	Shield - dust	60	022525	Bracket - deck wheel, front
26	138685	Housing - spindle w/o bearings	61	019539	Brace - wheel bracket
27	137760	Bearing - shaft	62	159954	Washer - flat 3/8
28	095398	Spacer - bearings	63	150185	Washer - split lock 3/8
29	159319	Spacer - drive pulley	64	164467	Washer - flat 5/16
30	023674	Pulley - drive	65	617019	Bolt - hex 5/16-18 x 7/8
31	157396	Washer - pulley retainer	-	143115	Decal - DANGER
32	159301	Nut - hex lock 7/16-20	-	396036	Deck assembly - complete
--	164673	Fitting - grease, spindle	-	396374	Kit - mulch plate/blades
33	159202	Bolt - hex tap 5/16-18 x 1-3/8			
34	159830	Bolt - hex tap 5/16-18 x 7/8			

S/N 237131  
P/L 082546  
O/M 082547  
E/M 082747