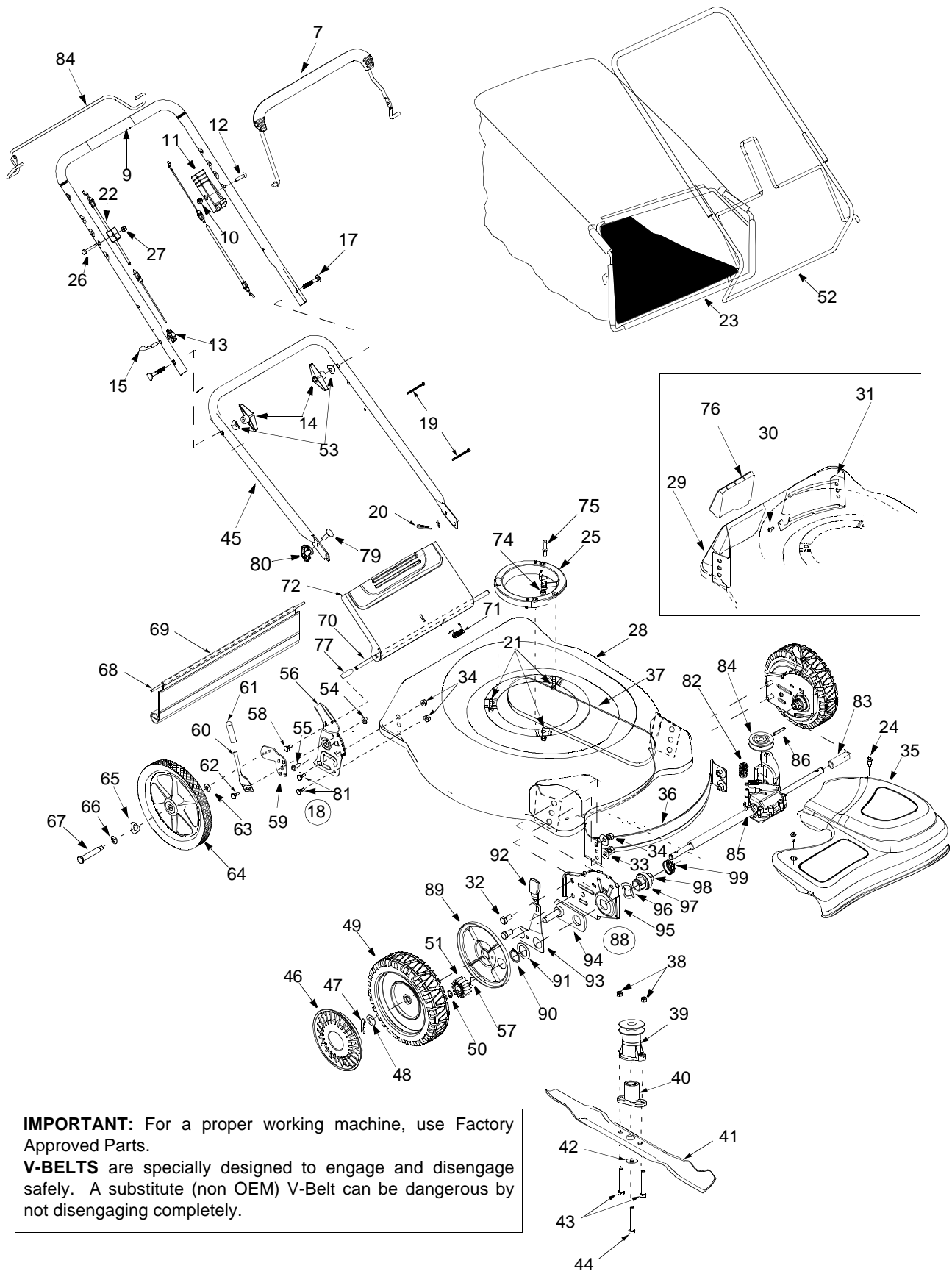


Model Series 559 (401/402)



IMPORTANT: For a proper working machine, use Factory Approved Parts.
V-BELTS are specially designed to engage and disengage safely. A substitute (non OEM) V-Belt can be dangerous by not disengaging completely.

Model Series 559 (401/402)

Ref. No	Part No.	Description	Ref. No	Part No.	Description
1.	731-1057	Upper Drive Cover	43.	710-0606	Hex Screw 1/4-20 x 1.50
2.	731-0620	Drive Lever	44.	710-1257	Hex Screw 3/8-24 x 2.50
3.	731-1058	Lower Drive Cover	45.	749-0907B	Lower Handle
4.	731-1059	Mounting Cap	46.	731-1426	Hub Cap
5.	710-1667A	Screw # 10-16 x .625	47.	714-0101	Cotter Pin
6.	746-0960	Drive Cable	48.	736-3013	Flat Washer
7.	747-0824	Control Lever	49.	734-2042	Wheel 8 x 2
8.	749-1499	Upper Handle	50.	716-0865	Snap Ring
9.	720-0294	Foam Grip, 9"	51.	717-1761	Gear 14T LH FWD
10.	712-0324	Hex Lock Nut, 1/4-20		717-1762	Gear 14T RH FWD *
11.	746-0883	Throttle Housing	52.	747-0995A	Grass Bag Frame RR
12.	710-1270	Oval C-Sunk Screw 1/4-20 x 1.31	53.	736-0451	Saddle Washer
13.	720-0279	Handle Knob	54.	712-3005	Hex Flange Lock Nut 3/8-16
14.	720-0284	Handle Knob	55.	710-0896	Hex Scr. w/Washer 1/4-14 x .625
15.	710-1205	Eye Bolt	56.	682-3056A	RH Handle Bracket
16.	746-0554	Control Cable, 40.5"		682-3057A	LH Handle Bracket *
17.	710-1174	Carriage Bolt 5/16-18 x 2.0	57.	715-0221	Dowel Pin
18.	682-3058	RH Bracket Ass'y	58.	710-0286	Pan Head Screw
	682-3059	LH Bracket Ass'y *	59.	17488A	RH Pivot Bar
19.	726-0240	Cable Tie		17489A	LH Pivot Bar (not shown)
20.	714-0104	Cotter Pin	60.	732-0866	Height Adj. Lever
21.	710-1007	Self-Tapping Screw	61.	720-0312	Foam Grip
22.	746-1146	Drive Cable	62.	738-0507B	Shoulder Scr .500 Dia. x .434
23.	664-0123	Grassbag Assembly (Half Sail)	63.	736-0105	Washer .401 x .870 x .063
24.	710-1650	Shoulder Screw # 12 -24	64.	734-2043	Wheel, 14 x 2
25.	631-0075B	Engine Spacer	65.	736-0182	Spring Washer .50 I.D. x 1.0 O.D.
26.	710-0606	Hex Bolt 1/4-20 x 1.5	66.	736-0456	Flat Washer .510 x 1.373 x .04
27.	712-0324	Lock Nut 1/4-20	67.	738-0481A	Shoulder Screw
28.	782-0080A	21" Rear Discharge Deck	68.	732-0700	Wire
29.	782-5004	RH Rear Baffle	69.	731-1236	Rear Trailing Shield
30.	710-1017	Screw AB: 1/4-14: .625	70.	747-0996	Pivot Rod
31.	782-5003	LH Rear Baffle	71.	732-0809	Torsion Spring
32.	710-0216	Hex Screw 3/8-16 x .75	72.	782-7599A	Rear Discharge Door
33.	736-0331	Bell Washer .39 x 1.13 x .062	74.	712-0271	Hex Nut
34.	712-0431	Hex Nut 3/8-16	75.	711-1293	Screw
35.	731-2600	Transmission Cover (Yellow)	76.	782-5007A	Plastic Mulching Plug
36.	782-5002	Front Baffle	77.	750-0434	Spacer .375 x .50 x 1.02" Lg.
37.	754-0637	V-Belt	78.	738-1002	Shoulder Screw 1/4-14
38.	712-0324	Hex Nut 1/4-20	79.	710-0703	Carriage Bolt 1/4-20
39.	756-1146A	Drive Pulley	80.	712-0397	Wing Nut
40.	748-0411	Blade Adapter	81.	710-0216	Hex Bolt 3/8-16 x 1.0"
41.	742-0741	21" Mulching Blade	82.	732-1043	Belt Tension Spring
42.	736-0452	Flat Washer .516 x 1.5 x .134	83.	750-1165	Slev. Spacer RH

Model Series 559 (401/402)

Ref. No	Part No.	Description	Ref. No	Part No.	Description
	750-1166	Slev. Spacer LH*	93.	732-0706	Front Lever RH
84.	756-1231	Input Pulley		732-0707	Front Lever LH*
85.	618-0657	Transmission Assembly	94.	682-0509	Pivot Plate Assembly
86.	715-0169	Roll Pin	95.	782-0512B	Height Adj. Plate RH
88.	682-0512A	Height Adjustment Assembly RH		782-0511A	Height adj. Plate LH*
	682-0511A	Height Adjustment Assembly LH*	96.	736-0447	Wave Washer
89.	782-7551	Wheel Dust Cap	97.	748-0355	Bearing Support
90.	716-0102	Snap Ring	98.	741-0604A	Bearing Sleeve
91.	736-0474	Washer	99.	732-0708	Bearing Retainer
92.	720-0426	Adjustment Knob			

* Not shown