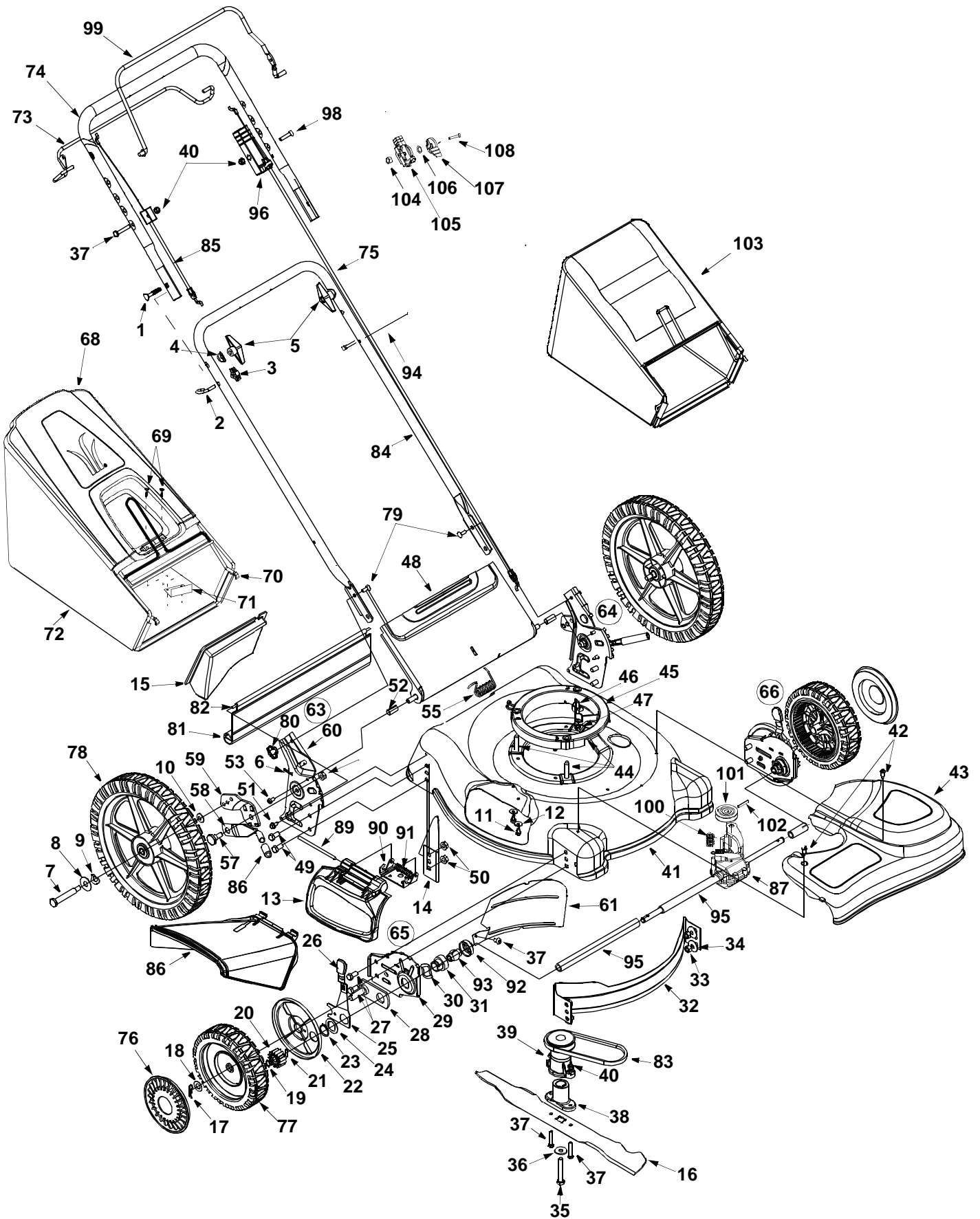


Model Series 560



Model Series 560

Ref. No.	Part No.	Description	Ref. No.	Part No.	Description
1.	710-1174	Carriage Bolt	39.	756-1146A	Drive Pulley
2.	710-1205	Rope Guide	40.	712-0324	Hex Lock Nut
3.	720-0279	Wing Nut	41.	782-0082A	Rear Dischage Deck 21"
4.	736-0451	Saddle Washer	42.	710-1650	Shld. Screw
5.	720-0284	Handle Knob	43.	731-1937A	Transmission Cover
6.	714-0104	Hairpin Clip		731-1936A	Transmission Cover Black
7.	738-0481A	Shoulder Screw	44.	710-1008	TT Screw
8.	736-0456	Flat Washer .510 I.D. x 1.373 O.D.	45.	631-0075B	Engine Spacer Assembly
9.	736-0182	Spring Wash. .500 I.D. x 1.00 O.D.	46.	711-1293	Belt Keeper Pin
10.	736-0105	Bell Washer .375 I.D. x .870 O.D.	47.	712-0271	Hex Nut 1/4-20
11.	710-0599	Tapp Screw 1/4-20 x .500	48.	782-7599A	Grassbag Door
12.	736-0270	Bell Wash. .265 I.D. x .75 O.D.	49.	710-0216	Hex Hd. Cap Scr. 3/8-16
13.	682-7000	Mulching Plug (Hinged)	50.	712-0431	Flange L-Nut 3/8-16
14.	782-5004	Rear Baffle RH	51.	710-0896	AB Tap Screw 1/4-14 x .625"
15.	782-5007A	Mulching Plug	52.	750-0434	Spacer
16.	742-0741	Mulching Blade w/Star	53.	710-0286	Pan Hd. Screw 1/4-20 x .5"
	742-0641	Standard Blade	54.	747-0996	Pivot Rod
17.	714-0101	Hairpin Clip	55.	732-0809	Torsion Spring
18.	736-3013	Flat Washer	56.	720-0312	Foam Grip
19.	736-0865	Snap Ring	57.	738-0507B	Shoulder Screw
20.	717-1762	Gear 14T RH	58.	732-0866	Spring Lever
	717-1761	Gear 14T LH†	59.	17489A	Pivot Bar LH†
21.	715-0221	Dowel Pin		17488A	Pivot Bar RH
22.	782-7551	Wheel Dust Cap	60.	682-3058	Handle Bracket Assembly RH
23.	716-0102	Snap Ring		682-3059	Handle Bracket Assembly LH†
24.	736-0474	Washer DD 1.5" O.D.	61.	782-5003	Rear Baffle LH
25.	732-0706	Front Lever RH	62.	710-1017	Scr. AB 1/4-14 x 0.625"
	732-0707	Front Lever LH†	63.	682-3056A	Handle Brkt. Ass'y Comp. RH
26.	720-0426	Knob	64.	682-3057A	Handlr Brkt. Ass'y Comp. LH
27.	710-0216	Hex Screw	65.	682-0512A	Height Adjuster Ass'y Comp. RH
28.	682-0509	Pivot Plate Assembly	66.	682-0511A	Height Adjuster Ass'y Comp. LH
29.	782-0511A	Height Adj. Plate LH†	67.	747-0995A	Grassbag Frame
	782-0512B	Height Adj. Plate RH	68.	731-0068	Hardtop Cover
30.	736-0447	Wave Washer	69.	710-0896	AB Screw 1/4-14
31.	748-0355	Bearing Support	70.	747-0995A	Grasscatcher Frame
32.	782-5002	Front Baffle	71.	782-9050	Grassbag Mtg. Brkt.
33.	712-0798	Hex Nut	72.	664-0122	Grassbag
34.	736-0331	Bell Washer	73.	747-2136	Under Bail
35.	710-1257	Hex Bolt	74.	749-1499	Upper Handle
36.	736-0452	Bell Washer	75.	746-0554	Control Cable 41.5" Lg.
37.	710-0606	Hex Screw 1/4-20 x 1.5"		746-0550	Control Cable 39" Lg.
38.	748-0411	Blade Adapter	76.	731-0249	Hub Cap 3.5 Dia.

† Not Shown

Model Series 560

Ref. No.	Part No.	Description	Ref. No.	Part No.	Description
	731-0981A	Hub Cap 5.5 Dia.	93.	741-0604A	Bearing Sleeve .50 I.D.
77.	634-0021C	Wheel 8 x 2 Bar Tread	94.	726-0240	Cable Tie
	734-2042	Wheel 8 x 2 Zag Tread	95.	750-1166	Sleeve Spacer LH†
78.	734-1864	Wheel 14 x 2 Bar Tread		750-1165	Sleeve Spacer RH
	734-2050	Wheel 14 x 2 Zap Tread	96.	746-0883	Throttle Housing
79.	710-0703	Carriage Bolt	97.	712-0324	Hex L-Nut 1/4-20
80.	712-0397	Wing Nut	98.	710-1270	C-Sunk Screw 1/4-20
81.	731-1236	Trail Shield	99.	747-0824	Upper Control Handle
82.	732-0700	Wire	100.	732-1043	Belt Tension Spring
83.	754-0465	V-Belt	101.	756-1231	Input Pulley
84.	749-0907B	Lower Handle	102.	715-0169	Roll Pin
85.	746-1146	Drive Cable	103.	664-0122	Grassbag
86.	731-1409	Chute Deflector	104.	712-0324	Hex L-Nut 1/4-20
87.	618-0657	Transmission Assembly Comp.	105.	646-0876	Throttle
88.	710-0817	TT-Scr. 5/16-18	106.	736-0501	Curved Spring Washer
89.	747-0710	Hinge Pin	107.	746-0876	Throttle Lever
90.	782-7006	Hinge Mtg. Brkt.	108.	710-0605	Oval C-Sunk Screw 1/4-20 x 1.825
91.	732-0731	Torsion Spring	109.	746-1110	Throttle Cable†
92.	732-0708	Bearing Retainer	-	737-0476	Bottle Of Oil †

† Not shown

IMPORTANT: For a proper working machine, use Factory Approved Parts.

V-BELTS are specially designed to engage and disengage safely. A substitute (non OEM) V-Belt can be dangerous by not disengaging completely.

NOTE: For **painted parts**, please refer to the list of color codes below. Please add the applicable color code, wherever needed, to the part number to order a replacement part. For instance, if a part numbered 700-xxxx is painted Oyster Gray, the part number to order would be 700-xxxx-0662.

Black — 0691; Black, Powder — 0637; Blue, Midnight — 0667; Charcoal — 0483; Grey — 0648;
Grey, Oyster — 0662; Orange — 0606; Red — 0650; Red, MTD — 0638; Silver — 0629; Yellow — 0674.