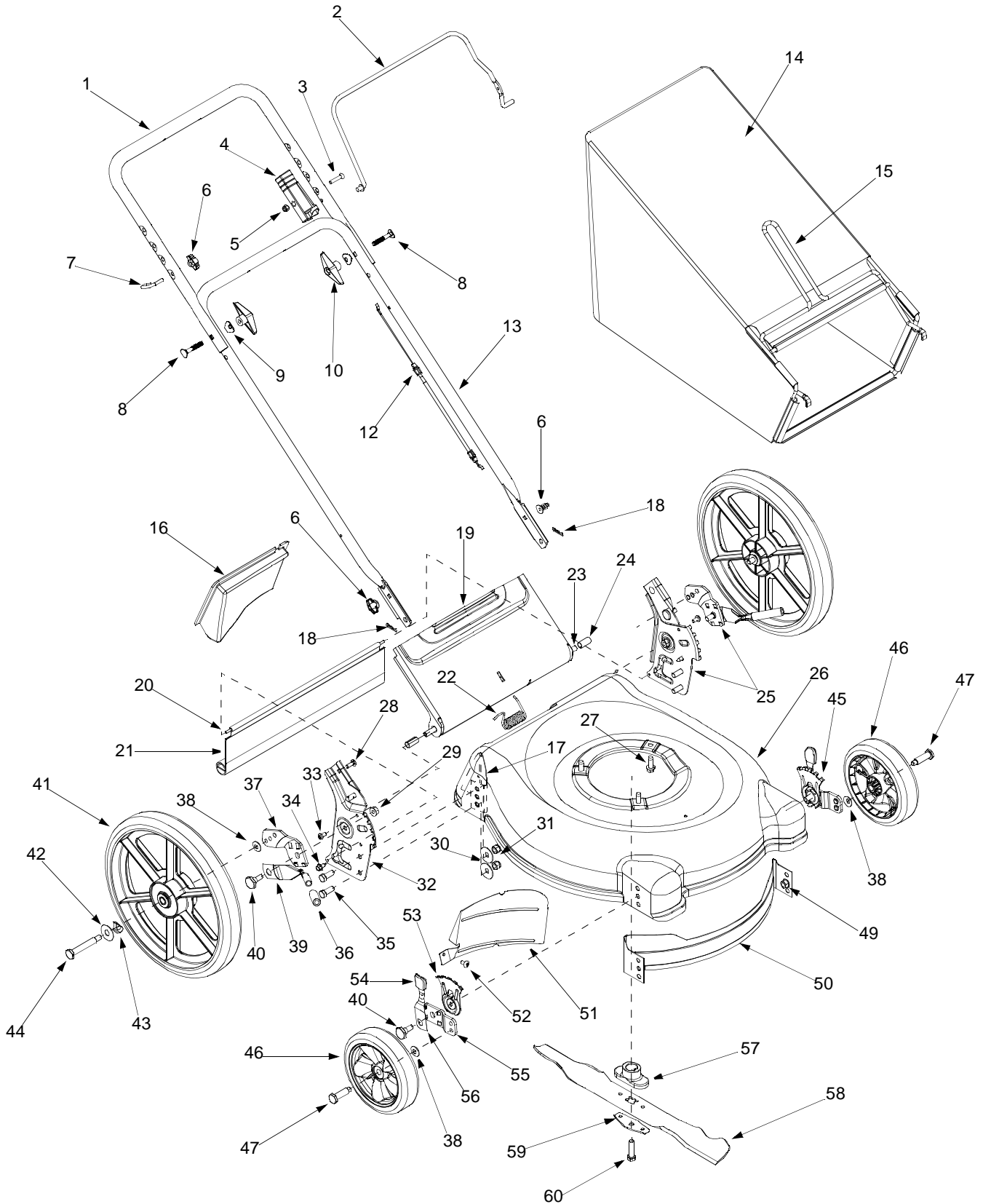


# Model Series 580



# Model Series 580

Ref. No.	Part No.	Part Description	Ref. No.	Part No.	Part Description
1.	749-0438D	Upper Handle	32.	682-3056A	Handle Bracket Assembly - RH
2.	747-0824	Control Handle		682-3057A	Handle Bracket Assembly - LH
3.	710-1270	C-Sunk Screw 1/4-20 x 1.3"	33.	710-0286	Machine Screw 1/4-20 x .500
4.	746-0883	Throttle Housing	34.	710-0896	Hex Washer Screw 1/4-14 x .625
5.	712-0324	Hex Lock Nut 1/4-20	35.	710-0514	Hex Cap Screw 3/8-16 x 1.0
6.	720-0279	Handle Knob	36.	720-0312	Foam Grip
7.	710-1205	Rope Guide	37.	17488A	Pivot Bar - RH
8.	710-1174	Carriage Bolt 5/16-18 x 2"		17489A	Pivot Bar - LH
9.	736-0451	Shoulder Washer .320 ID x .930 OD	38.	736-0105	Spring Washer .375 ID x .870 OD
10.	720-0284	Wing Nut	39.	732-0866	Spring Lever
12.	746-0551	Blade Control Cable 43"	40.	738-0507B	Shoulder Screw
	746-0554	Blade Control Cable 40.5 "	41.	734-1864	Rear Wheel Assembly 14 x 1.8
13.	749-0907B	Lower Handle	42.	736-0456	Flat Washer .510 ID x 1.37 OD
14.	664-0084	Grass Bag	43.	736-0182	Wave Washer .500 ID x 1.0 OD
15.	747-0995A	Grass Catcher Frame	44.	738-0481A	Shoulder Screw
16.	782-5007A	Rear Mulch Plug	45.	14578	Front Height Adjuster - RH
17.	782-5004	Rear Baffle - RH		14579	Front Height Adjuster - LH
18.	714-0104	Hairpin Clip	46.	734-1988	Front Wheel Assembly 7 x 1.8
19.	782-7599A	Grass Bag Door	47.	738-0102	Shoulder Bolt
20.	732-0700	Wire Rod	49.	712-0431	Flange Lock Nut 3/8-16
21.	731-1236	Trailshield	50.	782-5002	Front Baffle
22.	732-0809	Door Spring	51.	782-5003	Rear Baffle - LH
23.	747-0996	Chute Door Pivot Rod	52.	710-1017	Tap Screw 1/4-14 x .625.
24.	750-0434	Spacer .375 O.D. x .50 I.D. x 1.02"	53.	15261A	Height Adjustment Plate
25.	682-3058	Handle Bracket Assembly - LH	54.	720-0426	Height Adjustment Knob
	682-3059	Handle Bracket Assembly - RH	55.	15262B	Pivot Bar
26.	782-0310A	Deck 21"	56.	732-0404	Spring Lever
27.	710-0654A	Hex Washer Screw 3/8-16 x 1.0	57.	748-0376C	Blade Adapter
28.	710-0703	Hex Carriage Screw 1/4-20	58.	742-0741	21" Mulching
29.	712-3005	Flange Lock Nut 3/8-16		742-0641	21" Standard
30.	736-0356	Bell Washer .390 ID x .380 OD	59.	736-0524A	Blade Bell Support
31.	712-0130	Hex Lock Nut 3/8-16	60.	710-1044	Hex Cap Screw 3/8-24 x 1.5