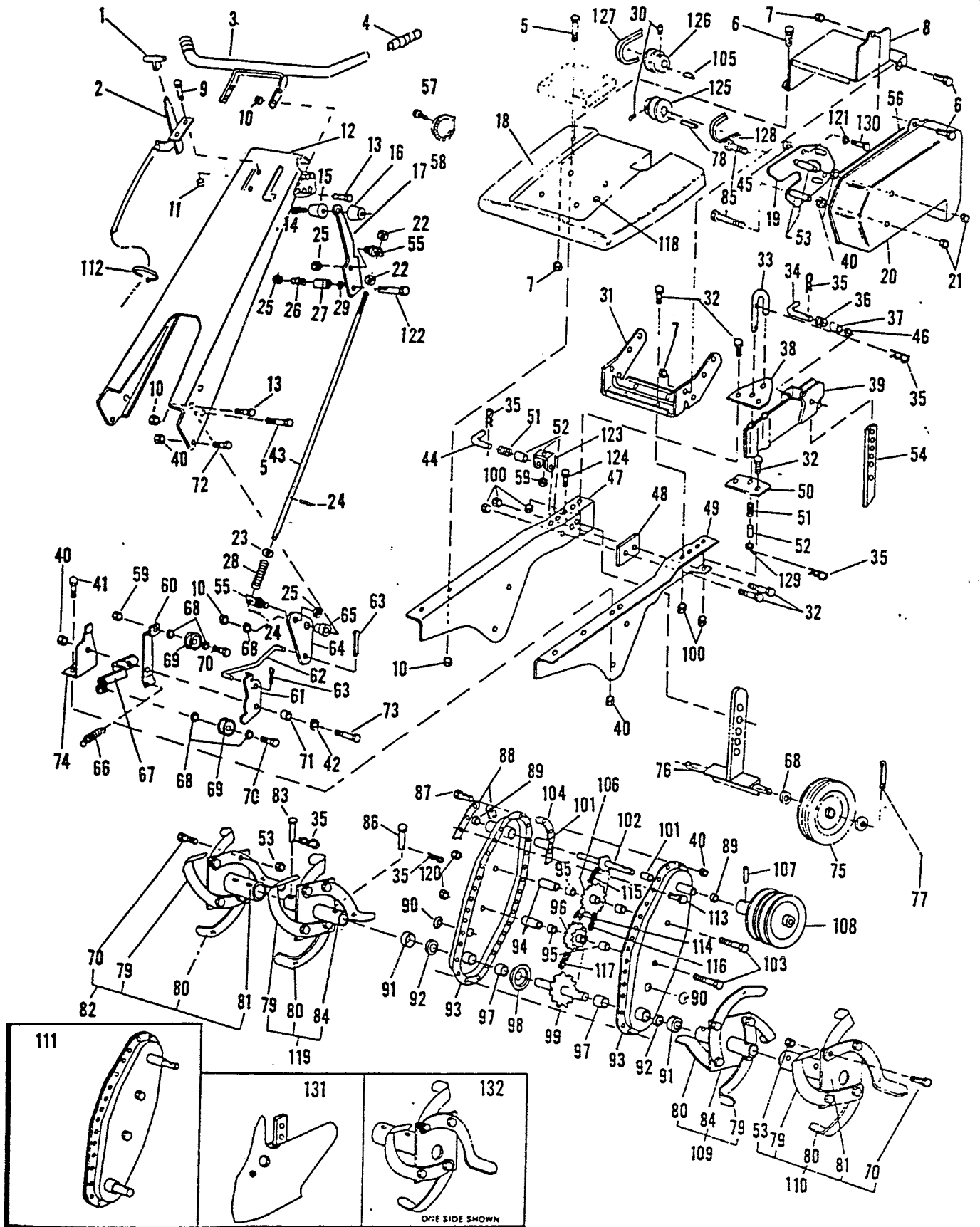


Model 5GT  
5Hp Chain Drive Tiller with Reverse



# Model 5GT

| Ref. No. | Part No. | Description                  | Ref. No. | Part No.                    | Description                   |
|----------|----------|------------------------------|----------|-----------------------------|-------------------------------|
| 1        | 744037   | Knob—Throttle Control        | 67       | 778415                      | Arm—Forward Idler             |
| 2        | 781419   | Control—Throttle             | 68       | 462309                      | Washer—3/8 Flat               |
| 3        | 731216   | Handle Bar Assembly          | 69       | 420745                      | Idler Pulley Assembly         |
| 4        | 751032   | Grip—Handle                  | 70       | 715326                      | Bolt—3/8-16 x 1 Hex Black     |
| 5        | 450361   | Bolt—Hex 5/16-18 x 1-1/2     | 71       | 467829                      | Spacer                        |
| 6        | 152660   | Bolt—1/4-10 x 1/2            | 72       | 449587                      | Bolt—1/4-20 x 5/8             |
| 7        | 715037   | Nut—1/4-20 Keps              | 73       | 459909                      | Bolt—Hex Hd. 1/4-20 x 1       |
| 8        | 570887   | Cover—Handle                 | 74       | 771006                      | Bracket—Idler Mounting        |
| 9        | 458687   | Screw—10-24 x 1/2 Hex        | 75       | 497826                      | Wheel—10 x 1.75 x 1/2         |
| 10       | 715490   | Nut—5/16-18 Locking          | 76       | 773085                      | Wheel Bracket Assembly        |
| 11       | 715334   | Nut—10-24 Hex Keps           | 77       | 317016                      | Pin—Cotter 1/8 x 1            |
| 12       | 570937   | Handle Panel Assembly        | 78       | 446757                      | Key—3/16 Sq. x 2              |
| 13       | 450437   | Bolt—5/16-18 x 5/8           | 79       | 786475                      | Tine—Bolo, L.H.               |
| 14       | 458661   | Bolt—Phillips 10-24 x 1-1/4  | 80       | 786699                      | Tine—Bolo, R.H.               |
| 15       | 744086   | Knob—Plain                   | 81       | 788117                      | Hub Assembly—Outer            |
| 16       | 744094   | Knob—Threaded 10-24          | 82       | 570390                      | Tine Assembly—R.H. Outer      |
| 17       | 422212   | Lever Engagement             | 83       | 488825                      | Pin—Clevis 3/8 x 2            |
| 18       | 570895   | Tine Hood Assembly           | 84       | 788133                      | Hub Assembly—Inner            |
| 19       | 464180   | Plate Assembly—Belt Guide    | 85       | 450007                      | Bolt 1/4-20 x 3-1/4           |
| 20       | 570911   | Guard—Belt                   | 86       | 489823                      | Pin—Clevis                    |
| 21       | 715078   | Nut—1/4-20 Whizlock Flange   | 87       | 715052                      | Bolt—1/4-20 x 1/2 Hex         |
| 22       | 452425   | Nut—5/16-18 Hex              | 88       | 426015                      | Strap—Nut Plate               |
| 23       | 462622   | Washer                       | 89       | 774695                      | Seal—Input Shaft              |
| 24       | 489393   | Pin—Roll 1/8 x 3/4           | 90       | 426379                      | Plug—Oil Fill                 |
| 25       | 451419   | Nut—1/4-20 Flange            | 91       | 762245                      | Cover—Tine Hub Seal           |
| 26       | 775072   | Spring—Engagement Lever      | 92       | 774547                      | Seal—Output Shaft             |
| 27       | 468801   | Spacer                       | 93       | 432286                      | Weld Assy.—Transmission, R.H. |
| 28       | 775080   | Spring—Engagement Rod        | 94       | 432922                      | Sleeve                        |
| 29       | 715409   | Washer—Curved                | 95       | 423434                      | Bearing                       |
| 30       | 458844   | Set Screw                    | 96       | 434662                      | Sprocket Assembly—Lower       |
| 31       | 447011   | Channel—Handle Support       | 97       | 423731                      | Bearing—Needle                |
| 32       | 458968   | Bolt—Whizlock 3/8-16 x 1     | 98       | 468033                      | Spacer—Tine Shaft             |
| 33       | 488908   | Pin—Pivot Depth Bracket      | 99       | 417501                      | Shaft Assembly—Output         |
| 34       | 488932   | Pin—Depth Bar Adj.           | 100      | 715441                      | Nut—Twin Whizlock 3/8-16      |
| 35       | 715011   | Hair Pin                     | 101      | 423442                      | Bearing—Input Shaft           |
| 36       | 775247   | Spring—Depth Bar Adj.        | 102      | 417469                      | Shaft Assembly—Input          |
| 37       | 468090   | Spacer—Depth Bar Adj.        | 103      | 458927                      | Bolt—Hex                      |
| 38       | 463349   | Plate—Top Depth Bracket      | 104      | 762021                      | Gasket—Transmission Housing   |
| 39       | 770891   | Depth Bracket Assembly—Pivot | 105      | 446773                      | Key—Woodruff                  |
| 40       | 715508   | Nut—Hex 1/4-20 Locking       | 106      | 434696                      | Sprocket Assembly—Upper       |
| 41       | 715045   | Bolt—Hex 1/4-20 x 3/4        | 107      | 314062                      | Pin—Roll 1/4 x 1-1/8          |
| 42       | 462762   | Washer                       | 108      | 420919                      | Pulley Assembly—2 Groove      |
| 43       | 783985   | Rod—Engagement Lever         | 109      | 570408                      | Tine Assembly—L.H. Inner      |
| 44       | 488874   | Pin—Adj. Wheel               | 110      | 570416                      | Tine Assembly—L.H. Outer      |
| 45       | 468678   | Spacer                       | 111      | 432310                      | Transmission Assembly         |
| 46       | 461731   | Washer—Depth Bar Adj.        | 112      | 110379                      | Cable Tie                     |
| 47       | 446955   | Beam—Main Support R.H.       | 113      | 458943                      | Bolt—Hex 1/4-20 x 5/8         |
| 48       | 468058   | Spacer—Main Support Beam     | 114      | 425124                      | Master Link No. 420           |
| 49       | 446930   | Beam—Main Support L.H.       | 115      | 425314                      | Chain—Roller, No. 35          |
| 50       | 463364   | Plate—Bottom Depth Bracket   | 116      | 425421                      | Chain—Roller, No. 420         |
| 51       | 775254   | Spring—Wheel & Pivot Adj.    | 117      | 425348                      | Chain—Roller, No. 50          |
| 52       | 468108   | Spacer—Wheel & Pivot Adj.    | 118      | 446799                      | Protective Pad                |
| 53       | 468686   | Spacer                       | 119      | 570382                      | Tine Assembly—R.H. Inner      |
| 54       | 435032   | Depth Bar                    | 120      | 715441                      | Nut—Keps 3/8-16               |
| 55       | 728295   | Stud—Lever                   | 121      | 715094                      | Washer—Lock                   |
| 56       | 447177   | Rubber Strip                 | 122      | 450379                      | Bolt—1/4-20 x 1-3/4           |
| 57       | 120048   | Screw—Muffler Deflector      | 123      | 447052                      | Channel—Wheel Adj.            |
| 58       | 132142   | Deflector—Muffler            | 124      | 458810                      | Bolt—Hex 3/8-16 x 5/8         |
| 59       | 715524   | Nut—3/8-16 Center Lock Jam   | 125      | 420935                      | Forward Pulley                |
| 60       | 778431   | Arm—Reverse                  | 126      | 420927                      | Reverse Pulley                |
| 61       | 463323   | Plate—Idler Pivot            | 127      | 421339                      | Belt—Reverse                  |
| 62       | 783399   | Rod—Control Idler            | 128      | 421321                      | Belt—Forward                  |
| 63       | 489344   | Pin—Cotter                   | 129      | 461749                      | Washer—Wheel & Pivot Adj.     |
| 64       | 464123   | Bellcrank—Control Plate      | 130      | 150433                      | Bolt Hex 1/4-20 x 2           |
| 65       | 468066   | Spacer—Bellcrank             |          |                             |                               |
| 66       | 776807   | Spring—Idler Return          |          |                             |                               |
|          |          |                              |          | <b>Optional Accessories</b> |                               |
|          |          |                              | 131      | 465823                      | Furrowing Kit                 |
|          |          |                              | 132      | 785758                      | Tine Extension                |