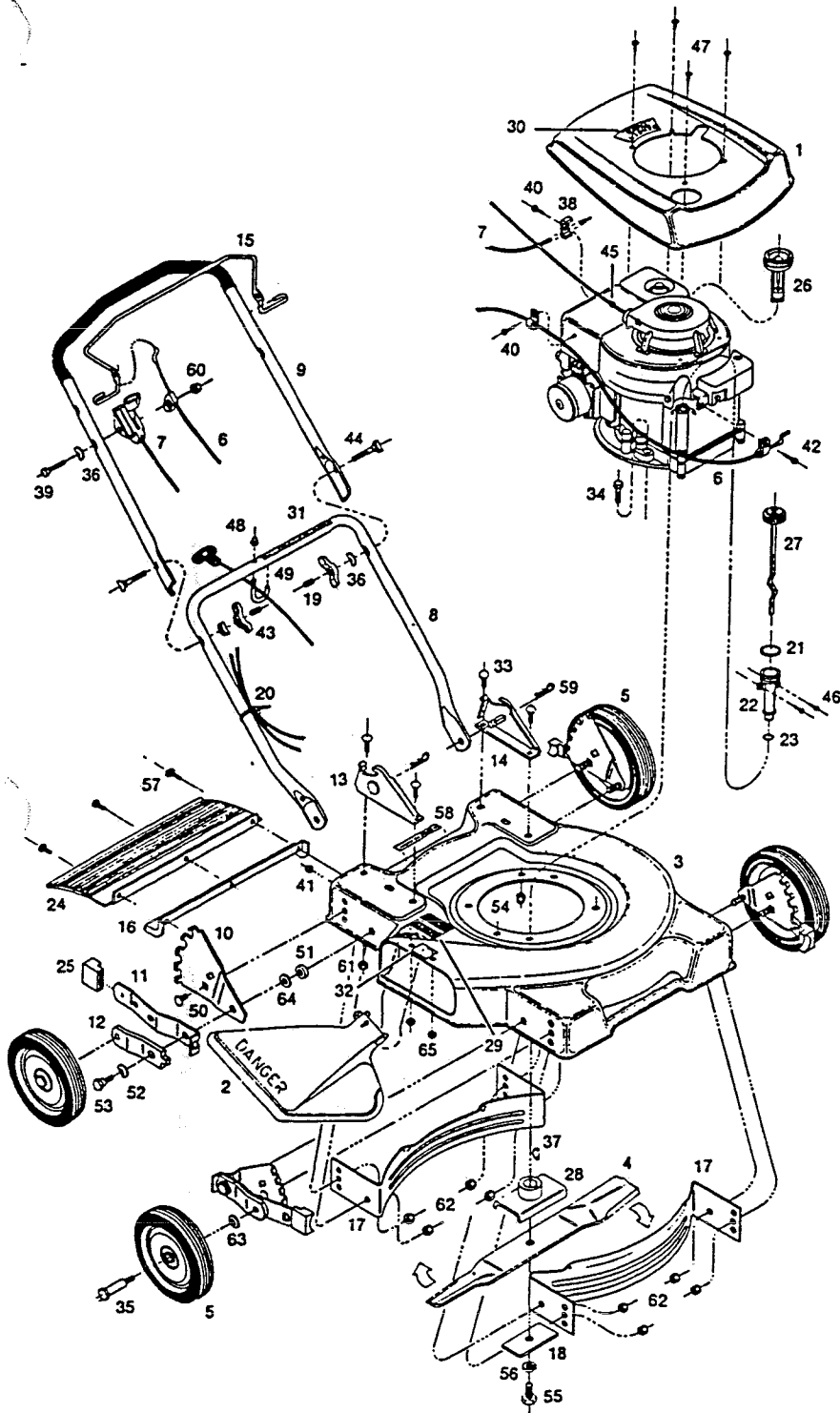


MODEL: 60B
20" ROTARY MOWER
 Grass Catcher Model GC-12



INDEX NO.	PART NO.	DESCRIPTION
1	027987	Engine Shroud
2	028266	Chute Deflector Assembly*
3	028407	Deck - 20"
4	030403	Blade - 20" - Offset
5	040998	Wheel - 8"
6	050500	Control Cable - Engine/Blade*
7	050542	Control - Throttle
8	071050	Handle - Lower
9	071159	Handle - Upper Coated
10	090589	Back Plate - Height Adjuster
11	090613	Setting Lever - Height Adjuster
12	090712	Wheel Lever - Height Adjuster
13	104661	Handle Bracket - Right Hand
14	104679	Handle Bracket - Left Hand
15	104745	Control - Engine/Blade Crossbar*
16	105767	Trailing Shield Mounting Bracket*
17	105791	Baffle - Front and Rear*
18	106005	Blade Washer - 3"
19	110064	Bolt Cap
20	110379	Cable Tie
21	110494	O-ring Large - Oil Dip Stick
22	111112	Oil Fill Tube - Oil Dip Stick
23	111120	O-Ring Small - Oil Dip Stick
24	111252	Trailing Shield - Plastic*
25	111260	Plastic Tip - Height Adjuster
26	120014	Gas Gauge
27	125237	Oil Dip Stick and Cap
28	133140	Blade Adaptor
29	144063	Decal - C.P.S.C. Danger
30	144204	Decal - Blade Warning
31	144899	Decal - Starting Instructions
32	145425	Decal - Danger Install Chute Deflector
33	150011	Bolt - Carriage 1/4-20x3/4 Gr 5
34	150045	Bolt - Hex HD 5/16-18x1 1/4
35	150060	Shoulder Bolt - Wheel
36	150201	Washer - Curved 5/16
37	150276	Woodruff Key No. 6
38	150318	Cable Clamp
39	150433	Bolt - Hex HD 1/2-20x2
40	150623	Screw - Hex HD Sht Metal 10x3/4
41	150946	Locknut - 10-24 Hex Washer HD
42	151613	Bolt - Hex HD Sems 10-32x3/4
43	151795	Wing Nut 5/16-18
44	151936	Bolt - Curved HD Crg 5/16-18x2 1/4
45	152074	Rope Stop
46	152082	Shld Screw - Hex HD Sht Metal 8x3/4
47	152199	Screw - Phillips Sht Metal Sems 6x1/2
48	152207	Locknut - 1/4-20 Acorn
49	152215	Rope Guide
50	152405	Bolt - Carriage 3/8-16x3/4
51	152413	Washer - Plastic - Height Adjuster
52	152421	Washer - Spring - Height Adjuster
53	152587	Shoulder Bolt - Height Adjuster
54	310151	Locknut - 5/16 - 18 Nylock
55	450288	Bolt - Blade 3/8-24x1 Gr 5
56	461475	Lockwasher - 3/8 Extra Duty
57	525337	Bolt - Hex Head 10-24x1/2
58	714170	Decal - Rating Plate
59	715011	Hitch Pin No. 3
60	715037	Locknut - 1/2-20 Keps
61	715078	Locknut - 1/2-20 Flanged Whiz
62	715086	Locknut - 3/8-16 Top
63	715409	Washer - Spring - Wheel
64	715417	Washer - 3/8 SAE
65	715508	Locknut - 1/4-20 Top

NOTE: Parts are right or left hand as viewed from operator position.
 Approximate cutting heights 1 1/4" to 3 1/4".
 Specifications subject to change without prior notice.