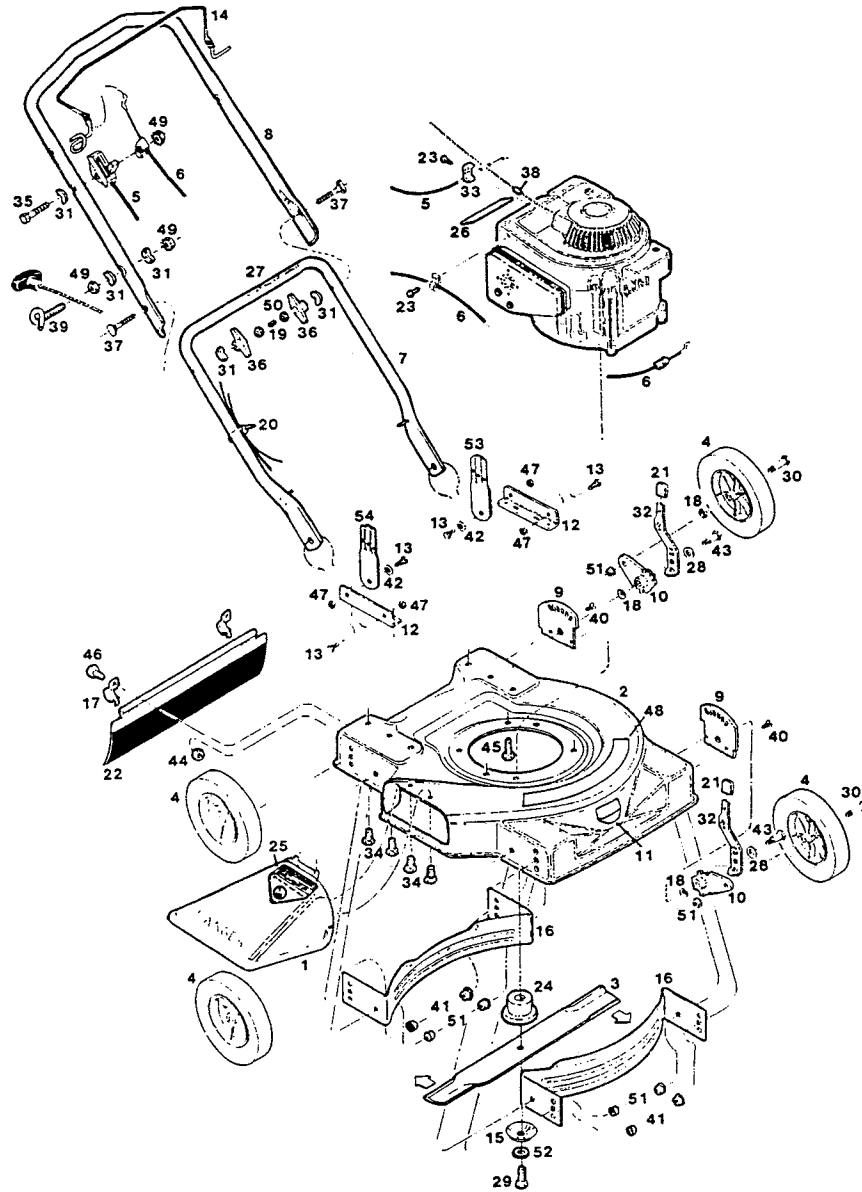


MODEL 60L & 63L
3.75 H.P. 20" & 22" Cut Side-Discharge Rotary Mower
Uses Grass Catcher Model GC12
Grass Catcher P/N 160572
Repl. Bag P/N 161117



INDEX NO.	PART NO.	DESCRIPTION
1	391771	Chute Deflector Assembly
2	022699	Deck - 20"
3	022749	Deck - 22"
4	031369	Blade - 20"
5	031385	Blade - 22"
6	043158	Wheel - 8" x 1-1/2" Pl. Dia.
7	052803	Control - Throttle w/Cable
8	052928	Cable - Engine/Blade Control
9	073403	Handle - Lower
10	073411	Handle - Upper
11	092775	Back Plate - Height Adjuster
12	091819	Arm Wheel
13	001438	Decal - 20"
14	001453	Decal - 22"
15	092718	Handle Bracket - R.H. and L.H.
16	164756	Shoulder Bolt - Handle Bracket
17	073551	Bail - Engine/Blade Control
18	164681	Washer - Blade Conical
19	088930	Baffle - Front and Rear
20	106914	Clip - Trailing Shield
21	715607	Washer - Belleville
22	110064	Bolt Cap
23	110379	Cable Tie
24	114462	Plastic Tip - Height Adjuster
25	114421	Trailing Shield - Plastic
26	150623	Screw #10-24 x 5/8 HWH
27	092221	Blade Adapter
28	144063	Decal - Danger
29	009415	Decal - Blade Warning
30	715557	Decal - Starting Instructions
31	164020	Washer - Hardened
32	157255	Bolt - Blade 3/8-24 x 1-1/4 Gr. 8
33	150730	Shoulder Bolt - Wheel
34	150201	Washer - Curved 5/16"
35	092817	Lever - Setting Hgt. Adjust.
36	150318	Cable Clamp
37	457499	Bolt 1/4-20 x 1/2 TD FM
38	616094	Bolt - 1/4-20 x 2-1/2 HHCS
39	113589	Wing Nut
40	151936	Bolt - Curved HD Crg 5/16-18 x 5/8
41	152074	Rope Stop
42	152371	Eyebolt - Rope Guide
43	158907	Bolt - Carriage 5/16-18 x 5/8
44	157610	Nut - 5/16-18 Flange Lock
45	152421	Washer - Spring - Height Adjuster
46	164897	Shoulder Bolt - Height Adjuster
47	452318	Nut - #10-24 Hex Nylon Insert
48	457168	Bolt - 3/8-16 x 7/8 TDFM
49	458687	Bolt - Hex Head #10-24 x 1/2
50	310151	Nut - 5/16-18 Nylock
51	796652	Decal Lawn Chief
52	715037	Locknut - 1/4-20 Keps
53	310045	Nut 5/16 - 18 Hex
54	156406	3/8-16 Nut - Flange Lock
	156877	Washer - 3/8 Hardened
	092734	Plate - Height Adj. Hdle. L.H.
	092759	Plate - Height Adj. Hdle. R.H.

S/N 231506 - 231514
P/L 798074
O/M 798066
E/M 188615