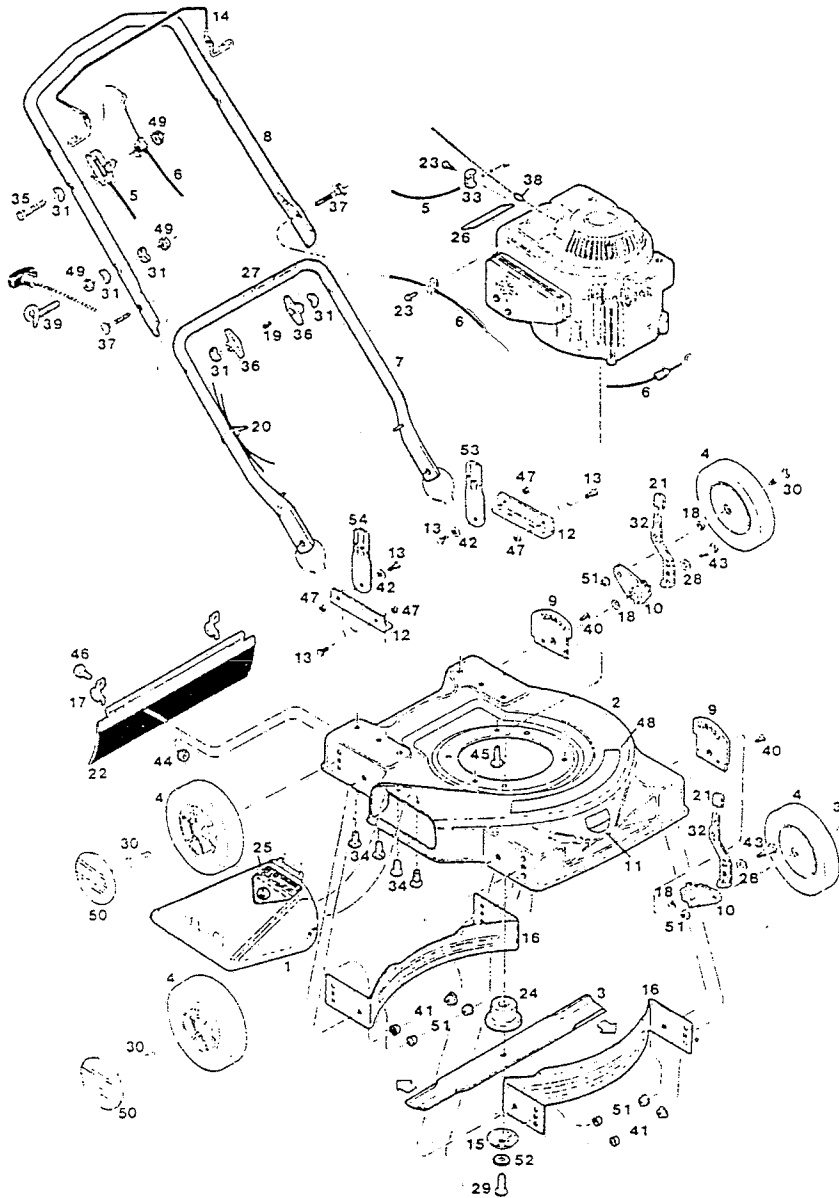


Ask for Grass Catcher Model GC-12



⚠ WARNING

DO NOT operate your mower unless all parts are attached and in good working order. Keep your mower in good repair at all times.

INDEX NO	PART NO.	DESCRIPTION
1	391771	Chute Deflector Assembly
2	022699	Deck - 20"
3	031369	Blade - 20"
4	043236	Wheel - 8" x 2' Plastic
5	053110	Control - Throttle w/Cable
6	053056	Cable - Engine/Blade Control
7	073403	Handle - Lower
8	073553	Handle - Upper
9	092775	Back Plate - Height Adjuster
10	091819	Arm Wheel
11	001438	Decal - 20"
12	092718	Handle Bracket - R. H. and L.H.
13	164756	Shoulder Bolt - Handle Bracket
14	073573	Bail - Engine/Blade Control
15	164681	Washer - Blade Conical
16	088930	Baffle - Front and Rear
17	106914	Clip - Trailing Shield
18	715607	Washer - Belleville
19	110064	Bolt Cap
20	110379	Cable Tie
21	114462	Plastic Tip - Height Adjuster
22	114421	Trailing Shield - Plastic
23	150623	Screw #10-24 x 5.8 HWH
24	094933	Blade Adapter
25	144063	Decal - Danger
25	009415	Decal - Blade Warning
27	799599	Decal - Starting Instructions
28	164020	Washer - Hardened
29	157255	Bolt - Blade 3/8-24 x 1-1/4 Gr 8
30	166740	Shoulder Bolt - Wheel
31	150201	Washer - Curved 5/16
32	092817	Lever - Setting Hgt. Adjuster
33	150318	Cable Clamp
34	164998	Bolt 1/4-20 x 1/2 TD FM
35	616094	Bolt - 1/4-20 x 2-1/2 HHCS
36	115540	Wing Nut
37	151936	Bolt - Curved HD Crg 5/16-18x5.8
38	152074	Rope Stop
39	152371	Eyebolt - Rope Guide
40	158907	Bolt - Carriage 5/16-18 x 5/8
41	157610	Nut - 5/16-18 Flange Lock
42	583302	Washer - Spring - Height Adjuster
43	164897	Shoulder Bolt - Height Adjuster
44	452318	Nut - #10-24 Hex Nylon Insert
45	164999	Bolt - 3/8-16 x 7/8 TDFM
46	458687	Bolt - Hex Head #10-24 x 1.2
47	310151	Nut - 5/16-18 Nylock
48	799822	Decal - Lawn Chief
49	715037	Locknut - 1/4-20 Keeps
50	043240	Hub Cap
51	156406	3/8-16 Nut - Flange Lock
52	156877	Washer - 3/8 Hardened
53	092734	Plate - Height Adj. Hdle. L H
54	092759	Plate - Height Adj. Hdle. R H

NOTE: Parts are right or left hand as viewed from operator position
Specifications subject to change without prior notice

⚠ WARNING

THOROUGHLY READ OPERATOR'S MANUAL AND COMPLETELY ASSEMBLE ALL LOOSE PARTS BEFORE OPERATING MOWER.

S/M 239017
P/L 082849
O/M 082915