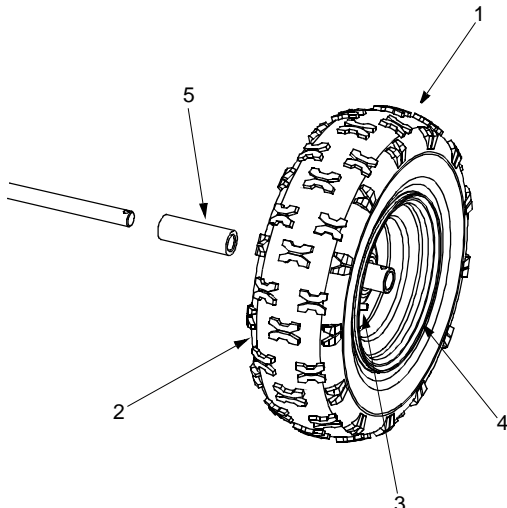
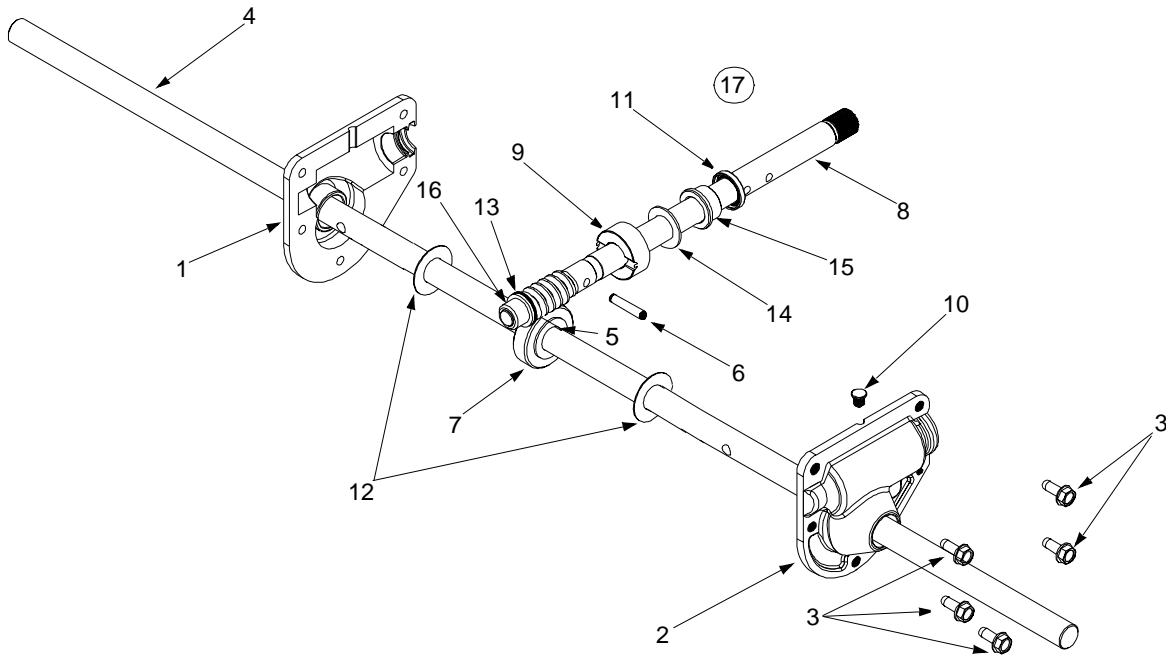


Model Series 611

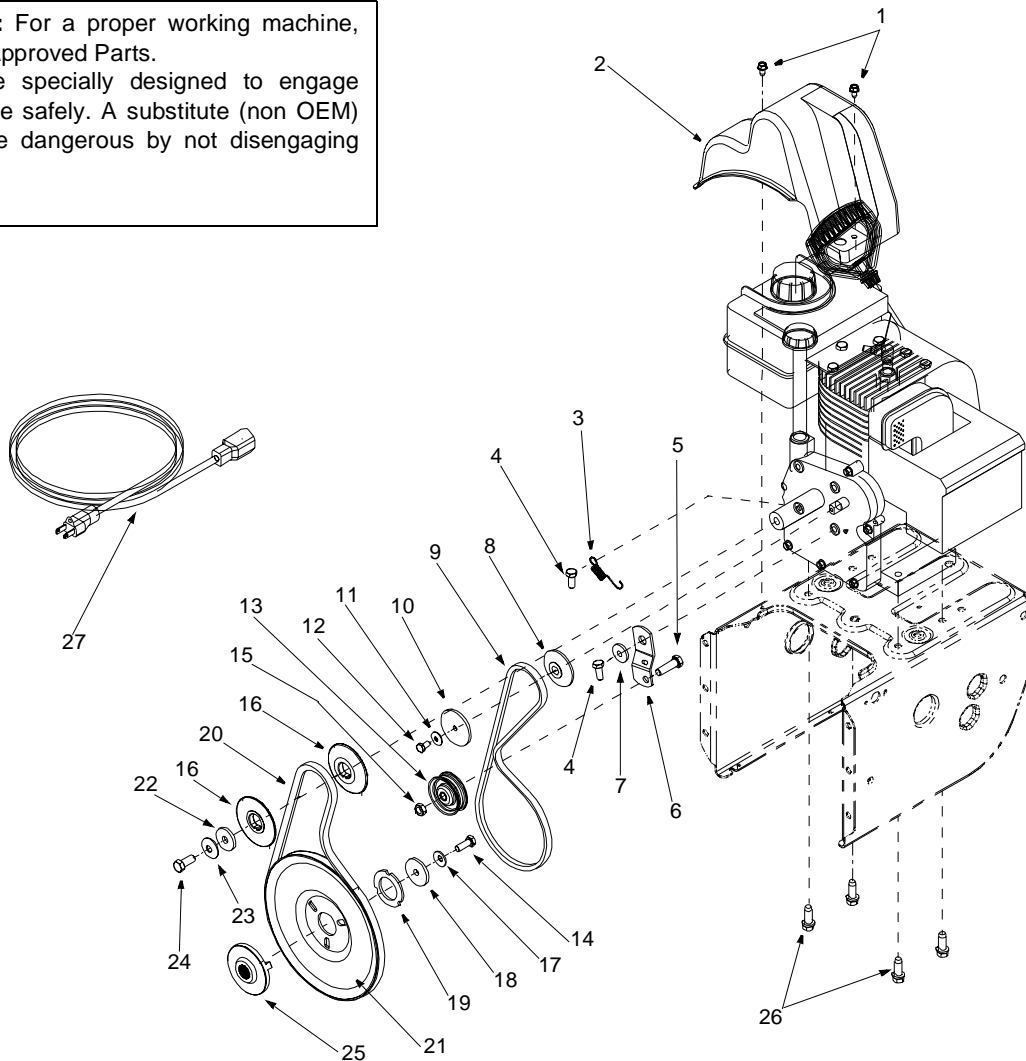


Ref. No.	Part No.	Description
1.	618-0123	Housing—R.H.
	618-0124	Housing—L.H.
2.	710-0642	Hex Screw 1/4-20 x .75
3.	711-1020A	Spiral Axle 22"
	711-0908	Spiral Axle 24"
4.	714-0161	Key
5.	715-0143	Pin-Spiral
6.	717-0526	Shaft-Worm
7.	717-0528	Gear-Worm
8.	718-0186	Collar-Thrust
9.	721-0325	Plug
10.	721-0327	Seal-Oil
11.	736-0351	Washer-Flat
12.	736-0369	Washer-Flat
13.	736-0445	Washer-Flat
14.	737-0168	Grease
15.	741-0662	Bearing-Flange
16.	741-0663	Bearing-Flange
17.	618-0152A	Ass'y. Complete 22"
	618-0120A	Ass'y Complete 24"

Wheel Assembly					
Size	Ref. No. 1	Ref. No. 2	Ref. No. 3	Ref. No. 4	Ref. No. 5
	Wheel Ass'y Complete	Tire Only	Air Valve	Rim Only	Sleeve Bearing (2)
13 x 4	634-0114A	734-1732	734-0255	734-1713A	741-0401
13 x 5(w/22" Housing)	634-0166A	734-1527	734-0255	684-0129A	741-0401
13 x 5(w/24" Housing)	734-1714A	734-1527	734-0255	734-1713A	741-0401

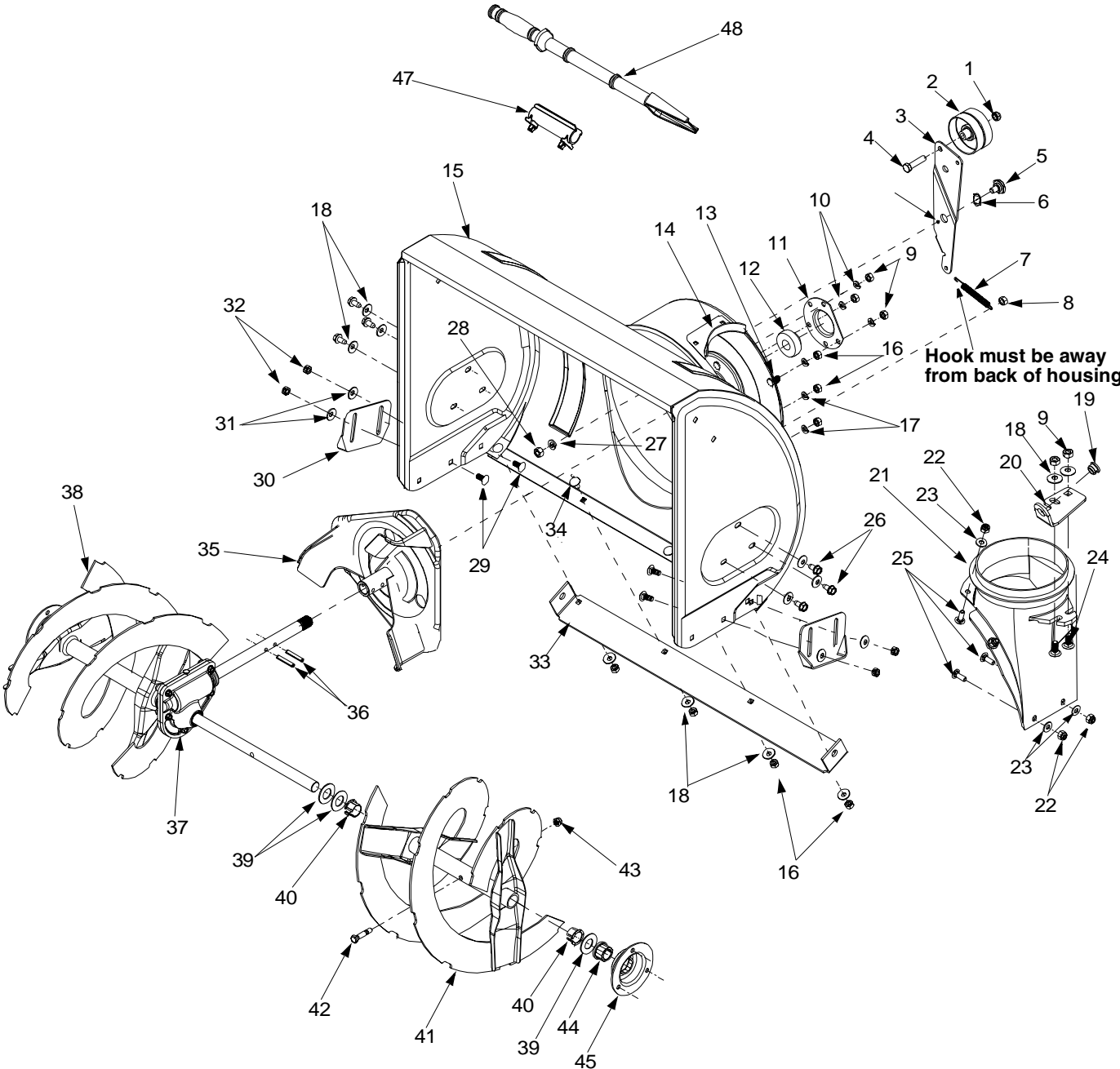
Model Series 611

IMPORTANT: For a proper working machine, use Factory Approved Parts.
V-BELTS are specially designed to engage and disengage safely. A substitute (non OEM) V-Belt can be dangerous by not disengaging completely.



Ref. No.	Part No.	Description	Ref. No.	Part No.	Description
1.	710-1652	Hex Washer Screw 1/4-20 x.625	15.	712-0181	Lock Jam Nut 3/8-16
2.	731-1324	Belt Cover	16.	756-0569	Pulley Half
3.	732-0339	Extension Spring	17.	736-0242	Bell Washer
4.	710-0627	Hex Screw 5/16-24 x .75	18.	736-0505	Flat Washer
5.	710-3005	Hex Cap Screw 3/8-16 x 1.25	19.	736-0507	Washer
6.	05896A	Drive Clutch Bracket	20.	754-0430B	Belt
7.	748-0234	Shoulder Spacer	21.	756-0967	Auger Pulley
8.	756-0985	Pulley Half	22.	736-0247	Flat Washer
9.	754-0343	V-Belt	23.	736-0331	Bell Washer
10.	756-0984	Pulley Half	24.	710-0696	Hex Cap Screw 3/8-24
11.	736-0270	Bell Washer	25.	748-0360	Pulley
12.	710-0230	Hex Cap Screw 1/4-28 x .50	26.	710-0654A	Hex Washer Screw 3/8-16 x 1.0
13.	756-0313	Flat Idler	27.	629-0071	Extension Cord
14.	710-1245A	Lock Cap Screw 5/16-24		OEM-390-986	Electric Start Kit

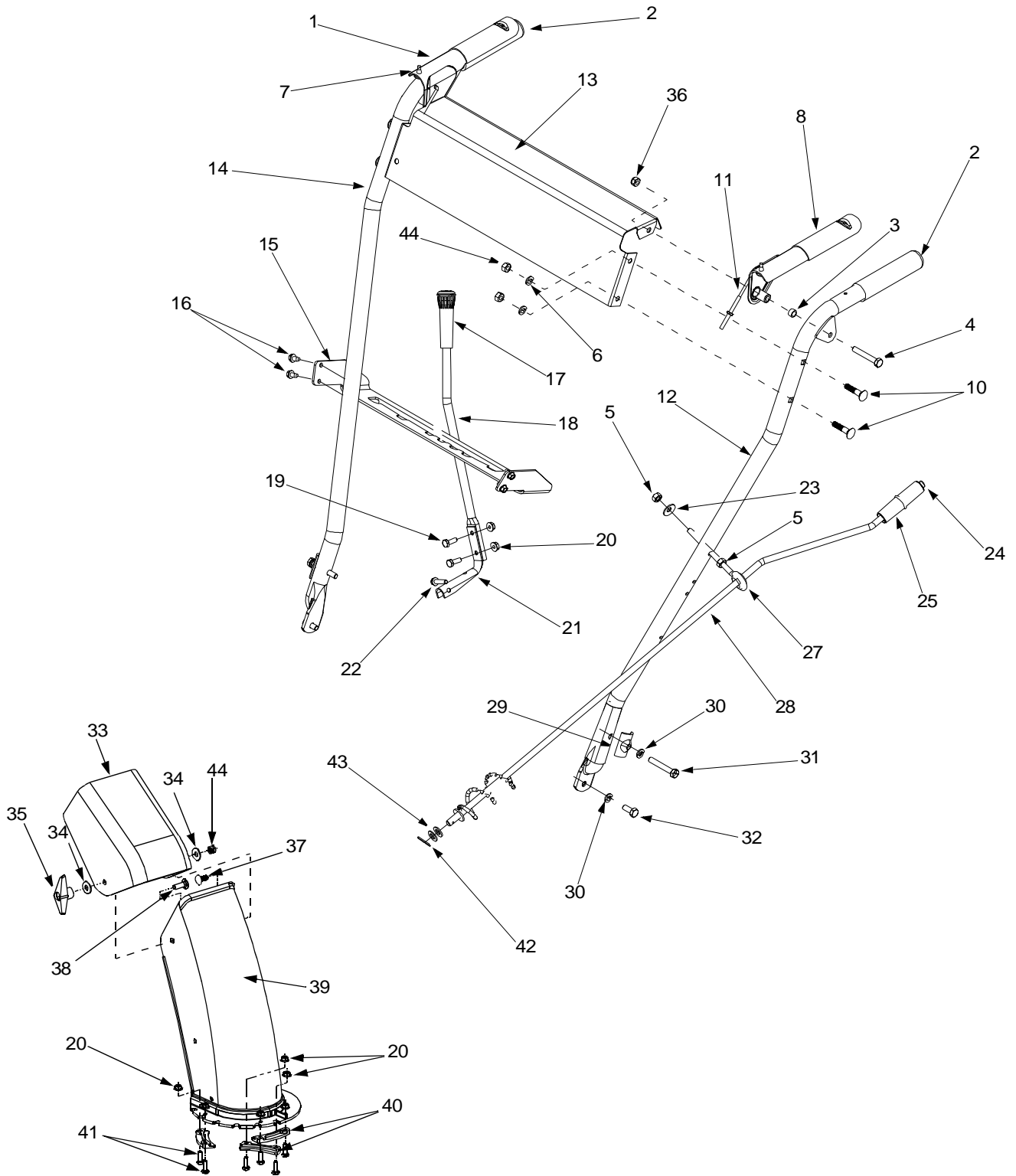
Model Series 611



Model Series 611

Ref. No.	Part No.	Description	Ref. No.	Part No.	Description
1.	712-0116	Lock Jam Nut 3/8-24	27.	736-0169	Lock Washer 3/8
2.	756-0178	Flat Idler	28.	712-0798	Hex Nut 3/8-16
3.	784-5632B	Auger Idler Arm	29.	710-0451	Carriage Bolt 5/16-18 x .75
4.	710-0459A	Hex Cap Screw 3/8-24 x 1.50	30.	784-5580	Snow Shoe
5.	738-0281	Shoulder Screw	31.	736-0242	Bell Washer
6.	736-0167	Wave Washer	32.	712-3010	Hex Nut 5/16-18
7.	732-0611	Extension Spring	33.	784-5576	22" Shave Plate
8.	712-3068	Hex Nut 5/16-18		784-5581A	24" Shave Plate
9.	712-3010	Hex Nut 5/16-18	34.	710-0451	Carriage Bolt 5/16-18 x .62
10.	736-0119	Lock Washer 5/16	35.	684-0065	Impeller Assembly
11.	05931A	Housing	36.	715-0114	Pin
12.	741-0309	Ball Bearing	37.	618-0152A	22" Gear Assembly
13.	710-0451	Carriage Bolt 5/16-18		618-0120A	24" Gear Assembly
14.	705-5226	Reinforcement Chute	38.	605-5252A	Spiral 22" RH
15.	684-0052C	22" Housing Assembly		605-5188A	Spiral 24" RH
	684-0039C	24" Housing Assembly	39.	736-0188	Flat Washer
16.	712-3010	Hex Nut 5/16-18	40.	741-0493A	Flange Bushing
17.	736-0119	Lock Washer 5/16	41.	605-5253A	Spiral 22" LH
18.	736-0242	Bell Washer		605-5189A	Spiral 24" LH
19.	741-0475	Bushing	42.	710-0890A	Shear Bolt 5/16-18 x 1.5
20.	784-5647	Chute Directional Control Bracket	43.	712-0429	Lock Nut 5/16-18
21.	731-1379C	Chute Adapter	44.	741-0245	Hex Flange Bearing
22.	712-0324	Hex Lock Nut 1/4-20	45.	784-5618	Bearing Housing
23.	736-0463	Flat Washer	46.	737-0318	Grease Fitting
24.	710-0451	Carriage Bolt	47.	731-2635	Clean-Out Tool Mount
25.	710-0703	Carriage Screw 1/4-20 x .75	48.	731-2643	Clean-Out Tool
26.	710-0604A	Hex Washer Screw 5/16-18			

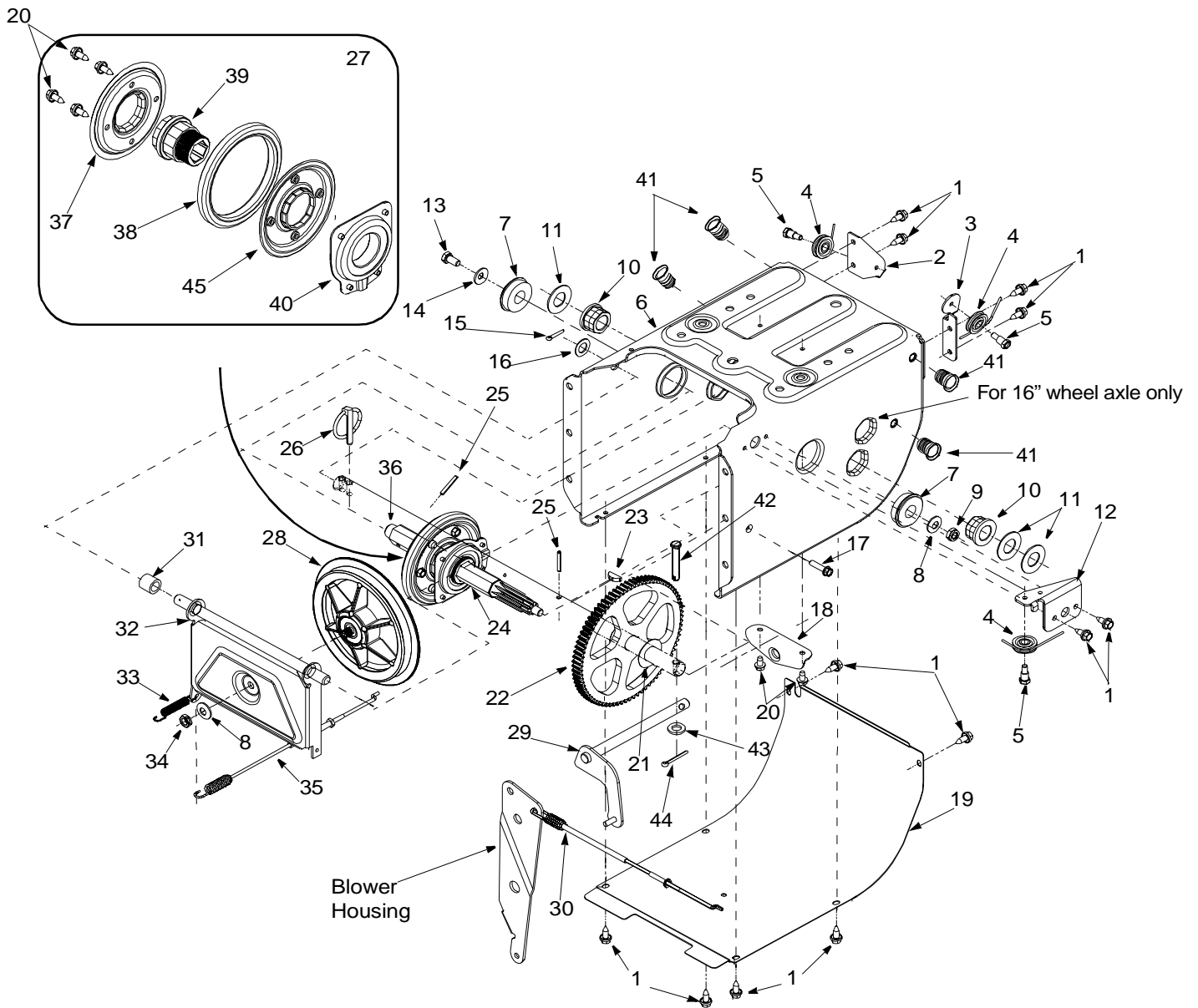
Model Series 611



Model Series 611

Ref. No.	Part No.	Description	Ref. No.	Part No.	Description
1.	705-5234A	Clutch Lever Assembly - RH	24.	726-0100	Push Cap
2.	720-0204	Grip	25.	720-0201A	Chute Knob
3.	750-1032	Spacer .325 ID x .460 OD	27.	747-0697	Eyebolt
4.	710-3103	Hex Cap Screw 5/16 -18 x 2.0	-	735-0234	Grommet only
5.	712-3010	Hex Nut 5/16-18	28.	705-5204A	Chute Directional Control Assembly
6.	736-0119	Lock Washer 5/16	29.	784-5599	Handle Tab
7.	735-0199A	Rubber Bumper	30.	736-0119	Lock Washer 5/16
8.	705-5233A	Clutch Lever Assembly - LH	31.	710-3259	Hex Cap Screw 5/16-18 x 1.75
10.	710-0262	Carriage Bolt 5/16-18 x 1.50	32.	710-1880	Hex Cap Screw 5/16-18 x .75
11.	746-0778	Z - Cable	33.	731-0921	Upper Chute
12.	684-0047A	Handle - LH	34.	736-0159	Washer 5/16
13.	705-5232A	Panel	35.	720-0284	Knob
14.	684-0048A	Handle - RH	36.	712-0429	Hex Lock Nut 5/16-18
15.	705-5231	Speed Select Panel	37.	710-0451	Carriage Bolt 5/16-18 x .75
16.	710-0599	Hex Washer Screw 1/4-20 x .50	38.	710-0276	Carriage Screw 5/16-18 x 1.0
17.	720-0223	Grip	39.	731-1300A	Lower Chute
18.	747-0904	Shift Lever	40.	731-0851A	Flange Keeper
19.	710-3015	Hex Cap Screw 1/4-20 x .75	41.	710-3015	Hex Cap Screw 1/4-20 x .75
20.	712-3027	Hex Lock Nut 1/4-20	42.	714-0104	Cotter Pin
21.	732-0733	Shift Lever Spring	43.	736-0185	Flat Washer 3/8
22.	710-0788	Hex Washer Screw 1/4-20 x 1.0	44.	712-3068	Hex Patch Nut 5/16-18 Gr. 5
23.	736-0242	Bell Washer			

Model Series 611



Model Series 611

Ref. No.	Part No.	Description	Ref. No.	Part No.	Description
1.	710-0599	Self-Tapp. Screw 1/4-20 x 0.5"	24.	717-1444	7-Tooth Shaft
2.	784-5688	Drive Cable Guide Bracket	25.	715-0249	Roll Pin
3.	784-5687A	Auger Clutch Cable Bracket	26.	714-0143	Klik Pin
4.	756-0625	Roller Cable	27.	684-0042C	Friction Wheel Assembly
5.	738-0924	Hex Screw 1/4-28	28.	656-0012A	Friction Disc Wheel
6.	784-5630A	Frame Assembly	29.	684-0013B	Wheel Shift Rod Assembly
7.	741-0563	Ball Bearing	30.	746-0897	Drive Cable
8.	736-0105	Bell Washer	31.	748-0190	Spacer
9.	712-0116	Lock Jam Nut	32.	684-0021	Friction Wheel Bracket Assembly
10.	741-0598	Hex Flange Bearing	33.	732-0264	Extension Spring
11.	736-0188	Flat Washer	34.	712-0711	Jam Nut 3/8-24
12.	784-5689A	Front Support Guide Bracket	35.	746-0898B	Drive Cable
13.	710-0538	Lock Hex Screw	36.	738-0869	22 .2" Axle (used w/ 13 x 4 tire)
14.	736-0242	Bell Washer .340 ID x .872 OD		738-0991	21.4" Axle (used w/ 13 x 5 tire)
15.	714-0474	Cotter Pin	37.	790-00010	Friction Plate
16.	736-0160	Flat Washer .536 ID x .930 OD	38.	735-0243B	Friction Wheel Rubber
17.	710-1107	Hex Washer Screw 1/4-20 x .625"	39.	718-0301A	Friction Wheel Hub
18.	784-5590	Frame Shift Bracket	40.	618-0063A	Friction Wheel Bearing
19.	784-5638	Frame Cover	41.	712-0703A	Nut Insert
20.	710-1652	Hex Washer Screw 1/4-20	42.	711-1364	Clevis Pin
21.	736-0351	Flat Washer .760 ID x .50 OD	43.	736-0142	Flat Washer .281 ID x .50 OD
22.	717-1445	Gear	44.	714-0507	Cotter Pin
23.	714-0126	Key	45.	790-00111	Friction Plate