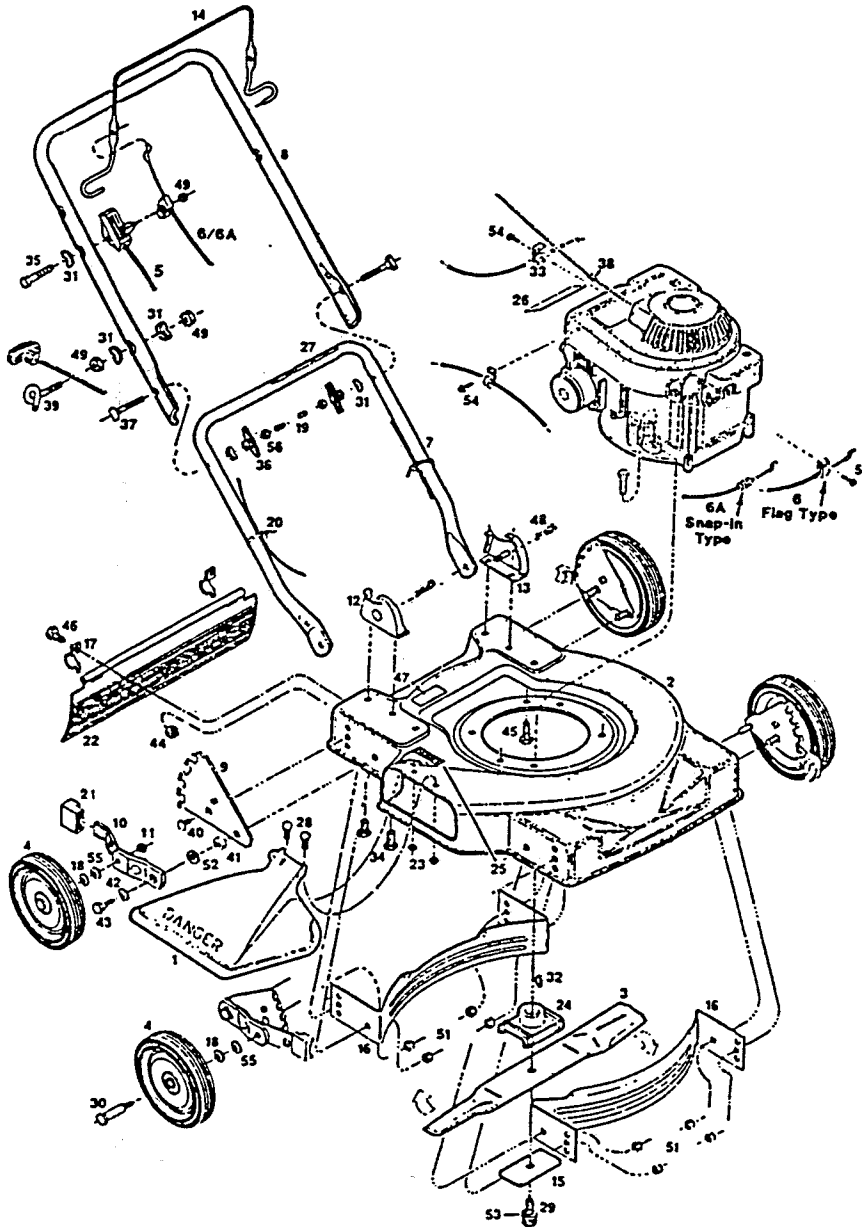


**MODEL 63**  
**3.5 HP 22" Rotary Mower**  
**Grass Catcher Model GC-12**  
**P/N 160572**  
**P/N Repl. Bag 160554**



INDEX NO.	PART NO.	DESCRIPTION
1	391771	Chute Deflector Assembly
2	013383	Deck - 22"
3	030353	Blade - 22" - Offset
4	041392	Wheel - 8"
5	051219	Control - Throttle w/Cable
6	051466	Cable - Engine/Blade Control (Flag Type)
6A	052142	Cable - Engine/Blade Control (Snap-in Type)
7	071563	Handle - Lower
8	071076	Handle - Upper
9	091249	Back Plate - Height Adjuster
10	091033	Arm Assembly Wheel
11	715524	Locknut 3/8-16 Jam
12	107086	Handle Bracket - Right Hand
13	107094	Handle Bracket - Left Hand
14	106880	Bail - Engine/Blade Control
15	106005	Blade Washer
16	106625	Baffle - Front and Rear
17	106914	Clip - Trailing Shield
18	715607	Washer - Belleville
19	110064	Bolt Cap
20	110379	Cable Tie
21	112540	Plastic Tip - Height Adjuster
22	112821	Trailing Shield - Plastic
23	715508	Nut - 1/4-20 Top
24	126466	Blade Adapter
25	144063	Decal - Danger
26	009415	Decal - Blade Warning
27	144899	Decal - Starting Instructions
28	150011	Bolt - Carriage 1/4-20 x 5/8 Gr 5
29	157255	Bolt - Blade 3/8-24 x 1
30	150730	Shoulder Bolt - Wheel
31	150201	Washer - Curved 5/16
32	150276	Woodruff Key No. 6
33	150318	Cable Clamp
34	457499	Bolt 1/4-20 x 1/2 TD FM
35	153874	Bolt - 1/4-20 x 2 1/4 HHCS
36	113589	Wing Nut
37	151936	Bolt - Curved HD Crg 5/16-18x2 1/4
38	152074	Rope Stop
39	152371	Eyebolt - Rope Guide
40	152405	Bolt - Carriage 3/8-16 x 3/4
41	156182	Washer - Plastic - Height Adjuster
42	152421	Washer - Spring - Height Adjuster
43	156125	Shoulder Bolt - Height Adjuster
44	452318	Nut - #10-24 Hex Nylon Insert
45	457168	Bolt - 3/8-16 x 7/8 TDFM
46	458687	Bolt - Hex Head 10-24 x 1/2
47	714170	Decal - Model Number
48	715011	Hairpin Cotter
49	715037	Locknut - 1/4-20 Keps
50	151613	Bolt 10 x 5/8 Hex Hd Sems
51	451492	3/8-16 Top Lock
52	156877	Washer - 3/8
53	156919	Lockwasher - 3/8
54	150623	Screw - #10-24 x 5/8 HWH
55	715417	Washer - 3/8 SAE
56	310045	Nut 5/16-18 Hex

NOTE: Parts are right or left hand as viewed from operator position.  
 Specifications subject to change without prior notice.

228247