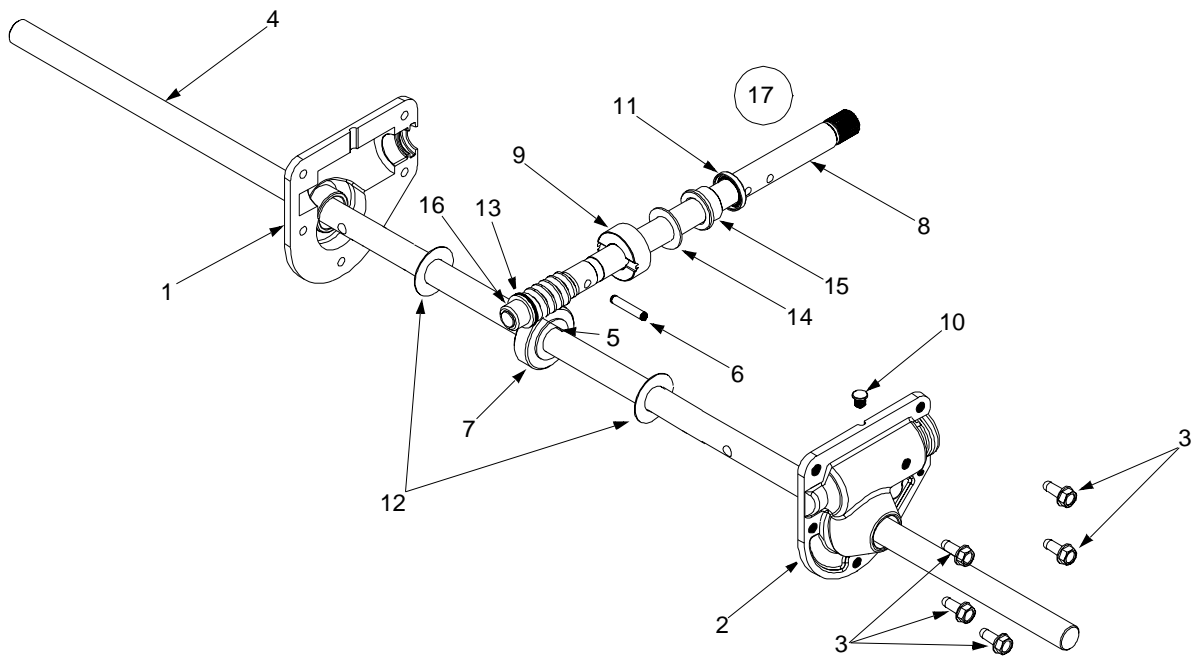
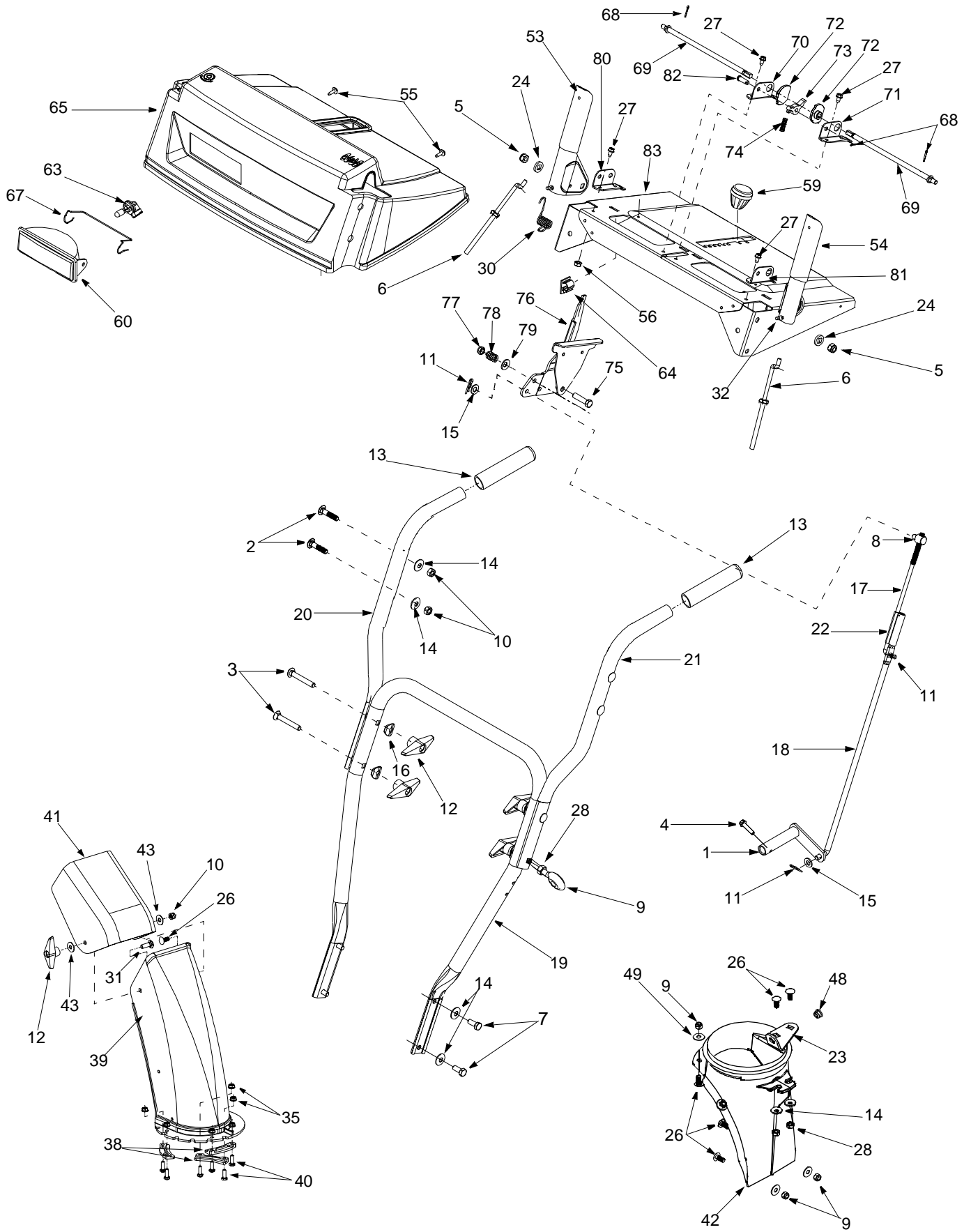


Models 643 & 663



Ref. No.	Part No.	Part Description
1.	618-0123	RH Housing
2.	618-0124	LH Housing
3.	710-0642	Self Tapping Screw, 1/4-20 x .75
4.	711-0910A	Spiral Axle, 28"
5.	714-0161	Hi-Pro Key, 3/16 x 5/8
6.	715-0143	Spring Spiral Pin, .25 x 1.25
7.	717-0528	Worm Gear, 20-tooth
8.	717-0526	Worm Shaft
9.	718-0186	Thrust Collar
10.	721-0325	Grease Plug
11.	721-0327	Grease Seal
12.	736-0351	Flat Washer, .76 x 1.5 x .030
13.	736-0369	Flat Washer, .508 x 1.0 x .020
14.	736-0445	Flat Washer, .76 x 1.5 x .060
15.	741-0662	Flange Bearing, .75 x 1.0 x .59
16.	741-0663	Flange Bearing, .503 ID x .75 OD
17.	618-0122A	Gear Ass'y Complete, 28"

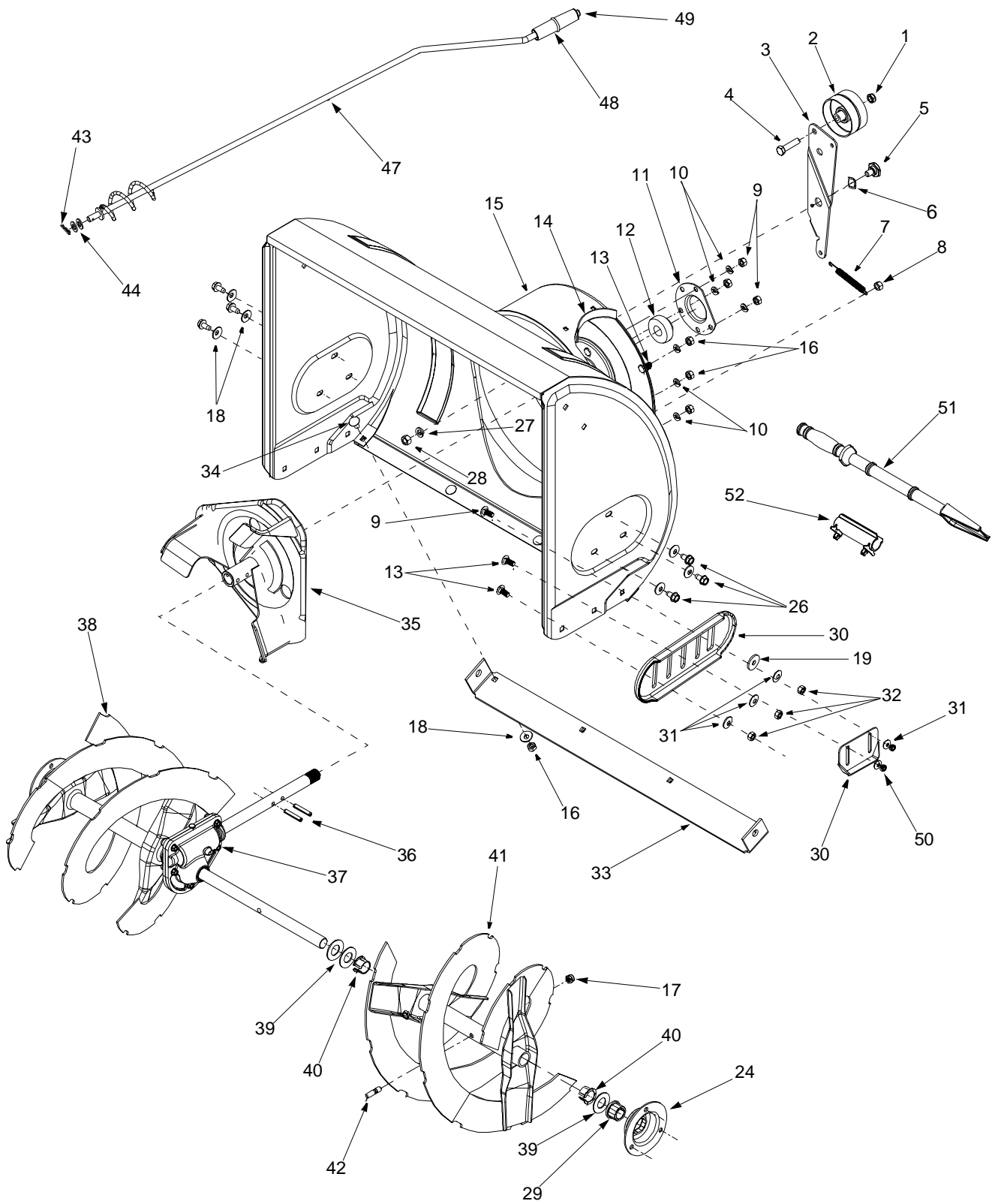
Models 643 & 663



Models 643 & 663

Ref. No.	Part No.	Part Description	Ref. No.	Part No.	Part Description
1.	684-0008A	Shift Arm Assembly	39.	731-1300B	Lower Chute
2.	710-0458	Carriage Bolt 5/16-18 x 1.75"	40.	710-3015	Hex Cap Screw 1/4-20 x .75
3.	710-0449	Carriage Bolt 5/16-18 x 2.25"	41.	731-0921	Upper Chute
4.	710-0788	TT Screw 1/4-20 x 1"	43.	736-0159	5/16 Washer
5.	712-0429	Hex Lock Nut 5/16-18	47.	746-0901	Control Cable
6.	746-0778	Z Fitting Cable	48.	741-0475	Plastic Bushing
7.	710-1880	Hex Screw 5/16-18 x .75"	49.	736-0159	5/16 Washer
8.	711-0677	Ferrule	53.	684-0036A	Handle Assembly RH
9.	747-0697	Eyebolt	54.	684-0037B	Handle Assembly LH
	735-0234	Grommet Only	55.	710-1003	Special Hex Screw
10.	712-3068	Hex Nut 5/16-18	56.	712-0271	Hex Sems Nut: 1/4-20
11.	714-0104	Cotter Pin	57.	712-0693	Hex Nut
12.	720-0284	Handle Knob	59.	720-0232	Shift Knob
13.	720-0274	Grip	60.	725-1672	Lamp Housing
14.	736-0242	Belleville Washer	63.	725-1658	Halogen Lamp: 50W, 12V
15.	736-0275	Flat Washer	64.	726-0152	Mounting Clamp
16.	736-0451	Saddle Washer	65.	731-04144	Handle Panel
17.	747-0620A	Shift Rod: Upper	67.	747-1136	Headlight Retainer
18.	747-0621	Shift Rod: Lower	68.	714-0507	Cotter Pin: 3/32 x .75
19.	749-0951	Lower Handle	69.	747-0877	Cam Rod
20.	749-0952A	Upper Handle: L Style RH	70.	784-5680	RH Handle Support Bracket
21.	749-0953A	Upper Handle: L Style LH	71.	784-5679	LH Handle Support Bracket
22.	750-0963	Connector: Shift Rod	72.	748-0362	Cam Handle Lock
23.	784-5647	Chute Crank Bracket	73.	748-0363	Handle Lock Pawl
24.	736-0509	Washer .72 OD x .135 ID	74.	732-0145	Compression Spring: .36 x 1.0
25.	710-0262	Carriage Bolt: 5/16-18 x 1.5"	75.	710-0459A	Hex Cap Screw: 3/8-24 x 1.5
26.	710-0451	Carriage Bolt: 5.16-18 x .750"	76.	784-5619A	Shift Handle
27.	710-0599	TT Screw: 1/4-20 x 0.5"	77.	712-0116	Jam Nut, 3/8-24
28.	712-3010	Hex Nut 5/16-18	78.	732-0193	Comp. Spring: .39 x .6 x .88
30.	732-0746	Torsion Spring	79.	736-0105	Bell Washer
31.	710-0276	Carriage Screws 5/16-18 x 1.0	80.	784-5682	RH Handle Support Bracket
32.	735-0199A	Rubber Bumper	81.	784-5681	LH Handle Support Bracket
35.	712-3027	Hex Flange Lock Nut	82.	711-0653	Clevis Pin
38.	731-0851A	Chute Flange Keeper	83.	684-0103	Handle Panel

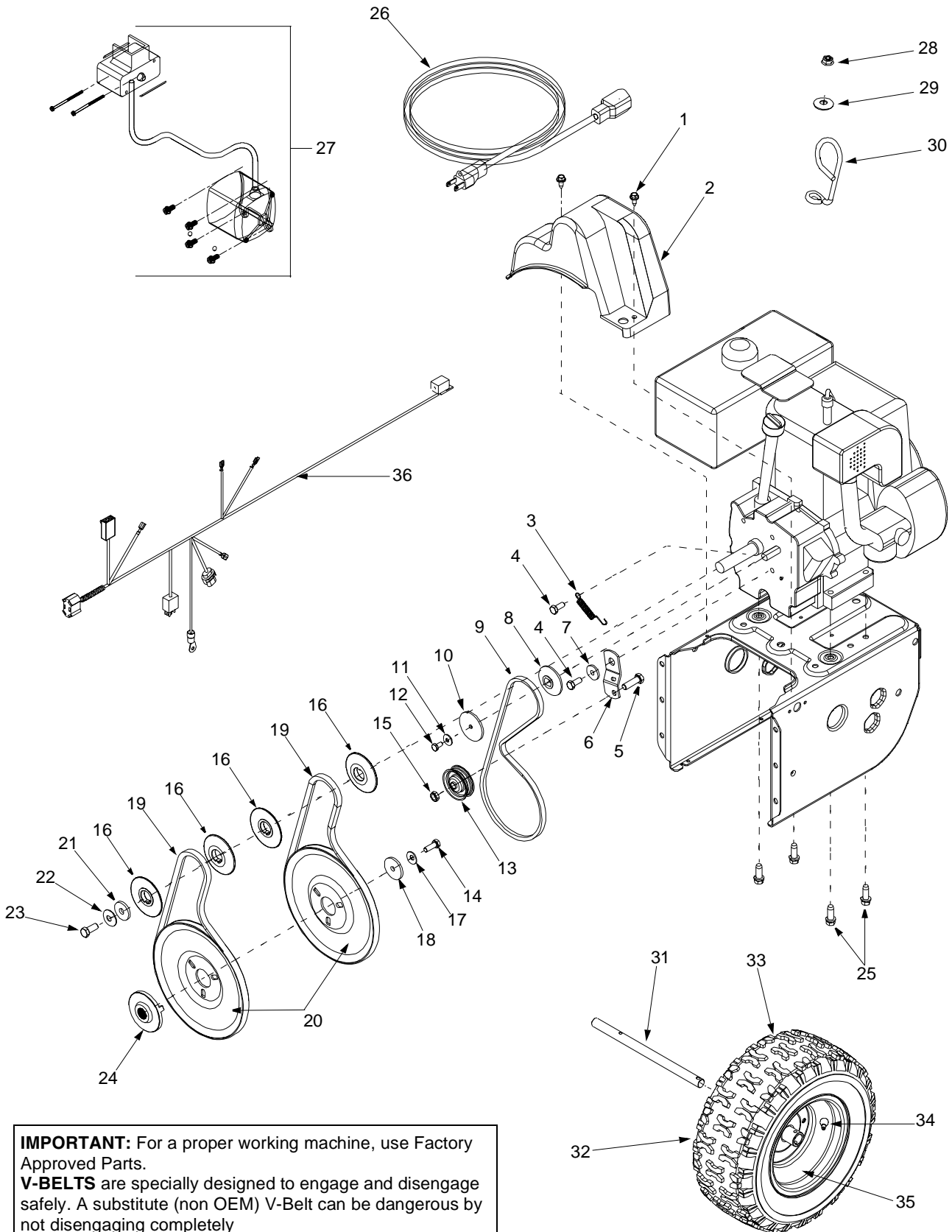
Models 643 & 663



Models 643 & 663

Ref. No.	Part No.	Part Description	Ref. No.	Part No.	Part Description
1.	712-0116	Lock Jam Nut 3/8-24		784-5038B	Skid Shoe (If Equipped)
2.	756-0178	Flat Idler	31.	736-0242	Bell Washer
3.	784-5632B	Auger Idler Arm	32.	712-3010	Hex Nut 5/16-18
4.	710-0459A	Hex Cap Screw 3/8-24 x 1.50	33.	784-5582A	Shave Plate
5.	738-0281	Shoulder Screw	34.	710-0260	Carriage Bolt 5/16-18 x .62
6.	736-0167	Wave Washer	35.	684-0065	Impeller Assembly
7.	732-0611	Extension Spring	36.	715-0114	Pin
8.	712-3068	Hex Nut 5/16-18	37.	618-0122A	28" Gear Ass'y
9.	710-0276	Carriage Bolt, 5/16-18 x 1.00	38.	605-5196A	28" Spiral RH
10.	736-0119	Lock Washer 5/16	39.	736-0188	Flat Washer
11.	05931A	Bearing Housing	40.	741-0493A	Flange Bushing
12.	741-0309	Ball Bearing	41.	605-5197A	28" Spiral LH
13.	710-0451	Carriage Bolt, 5/16-18 x .75	42.	710-0890A	Shear Bolt 5/16-18 x 1.5
14.	705-5226	Chute Reinforcement	43.	714-0104	Hairpin Clip
15.	684-0041D	28" Housing Ass'y	44.	736-0185	Flat Washer
16.	712-3010	Hex Nut 5/16-18	47.	705-5204A	Chute Crank
17.	712-0429	Lock Nut 5/16-18	48.	720-0201A	Chute Crank Knob
18.	736-0242	Belleville Washer	49.	726-0100	Push Cap
19.	736-0231	Flat Wshr, .344ID x 1.125 OD	50.	712-3068	Hex Nut 5/16-18
24.	784-5618	Bearing Housing	51.	731-2643	Clean-Out Tool
26.	710-0604A	Hex Screw 5/16-18	52.	731-2635	Clean-Out Tool Mount
27.	736-0169	Lock Washer 3/8		777I20711	Label: Handle Panel (L)
28.	712-0798	Hex Nut 3/8-16		777I20722	Label: Handle Panel (R)
29.	741-0245	Hex Flange Bearing		777S30514	Label: Housing Danger
30.	784-5580	Slide Shoe		777S30511	Label: Chute Danger

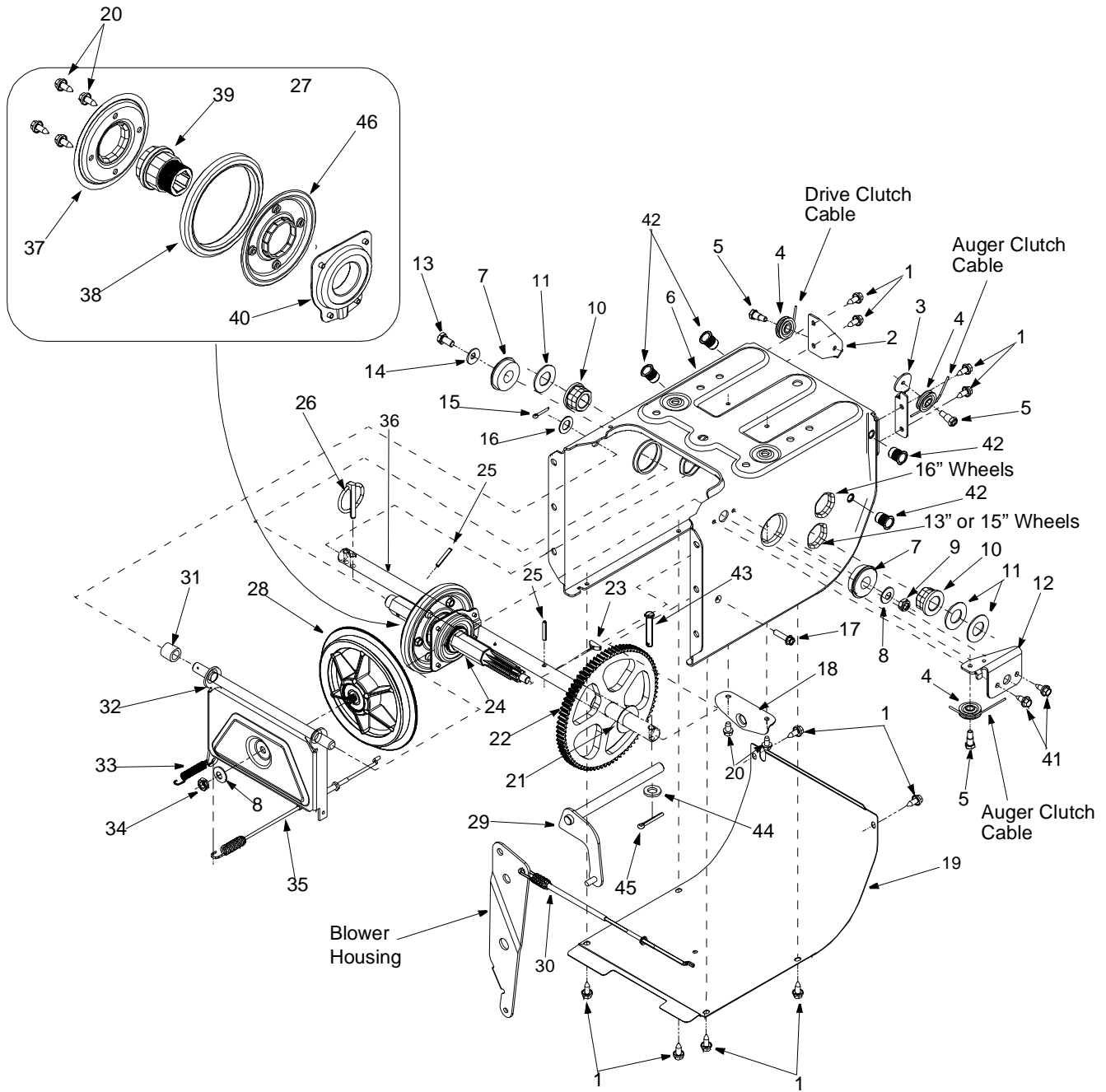
Models 643 & 663



Models 643 & 663

Ref. No.	Part No.	Part Description
1.	710-1652	Hex Washer Screw 1/4-20 x .625
2.	731-1324	Belt Cover
3.	732-0710	Extension Spring
4.	710-0627	Hex Screw 5/16-24 x .75
5.	710-3005	Hex Cap Screw 3/8-16 x 1.25
6.	05896A	Drive Clutch Idler Bracket
7.	748-0234	Shoulder Spacer
8.	756-0987	Pulley Half
9.	754-0346	V-Belt
10.	756-0986	Pulley Half
11.	736-0270	Bell Washer
12.	710-0230	Hex Cap Screw 1/4-28 x .50
13.	756-0313	Flat Idler
14.	710-1245B	Lock Hex Cap Screw 5/16-24
15.	712-0181	Lock Jam Nut 3/8-16
16.	756-0569	Pulley Half
17.	736-0242	Bell Washer
18.	736-0505	Flat Washer
19.	754-0430B	Belt
20.	756-0967	Auger Pulley
21.	736-0247	Flat Washer 3/8 x 1.25 OD
22.	736-0331	Bell Washer
23.	710-0696	Hex Cap Screw 3/8-24
24.	748-0360	Adapter Pulley
25.	710-0654A	Hex Screw 3/8-16 x 1.0
26.	629-0071	Extension Cord
27.	OEM-390-987	Electric Start Kit
28.	712-0324	Lock Nut, 1/4-20
29.	736-0173	Flat Washer, .28 x .74 x .063
30.	732-0705	Cable Guide
31.	738-0830	Axle 16"
32.	734-1712A	Wheel Ass'y Comp 16.5" x 4.8"
33.	734-1525	Tire 16.0" x 6.50" x 8.0"
34.	734-0255	Tubeless Air Valve
35.	734-1711A	Rim Assembly
36.	629-0059	Upper Harness Assembly

Models 643 & 663



Models 643 & 663

Ref. No.	Part No.	Part Description	Ref. No.	Part No.	Part Description
1.	710-0599	Hex Screw	25.	715-0249	Roll Pin
2.	784-5688	Drive Cable Guide Bracket	26.	714-0143	Klik Pin
3.	784-5687A	Auger Clutch Cable Bracket	27.	684-0042C	Friction Wheel Assembly
4.	756-0625	Roller Cable	28.	656-0012A	Friction Disc Wheel
5.	738-0924	Hex Screw 1/4-28	29.	684-0013B	Wheel Shift Rod Assembly
6.	784-5630B	Frame Assembly	30.	746-0897	Drive Cable
7.	741-0563	Ball Bearing	31.	748-0190	Spacer
8.	736-0105	Bell Washer	32.	684-0021	Friction Wheel Bracket Assembly
9.	712-0116	Lock Jam Nut	33.	732-0264	Extension Spring
10.	741-0598	Hex Flange Bearing	34.	712-0711	Jam Nut 3/8-24
11.	736-0188	Flat Washer	35.	746-0898B	Drive Cable
12.	784-5689A	Front Support Guide Bracket	36.	738-0869	Axle 13" Wheels
13.	710-0538	Lock Hex Screw		738-0830	Axle 16" Wheels
14.	736-0242	Bell Washer .340 ID x .872 OD	37.	790-00010	Friction Plate
15.	714-0474	Cotter Pin	38.	735-0243B	Friction Wheel Rubber
16.	736-0160	Flat Washer .536 ID x .930 OD	39.	718-0301A	Friction Wheel Hub
17.	710-0809	Hex Washer Screw 1/4-20	40.	618-0063A	Friction Wheel Bearing
18.	784-5590	Frame Shift Bracket	41.	710-1652	Tap Screw 1/4-20
19.	784-5638	Frame Cover	42.	712-0703A	Insert Nut 5/16-18
20.	710-0599	Hex Washer Screw 1/4-20	43.	711-1364	Clevis Pin
21.	736-0351	Flat Washer .760 ID x .50 OD	44.	736-0142	Flat Washer .281 ID x .50 OD
22.	717-1445	Gear	45.	714-0507	Cotter Pin
23.	714-0126	Key	46.	790-00011	Friction Plate
24.	717-1444	7-Tooth Shaft			