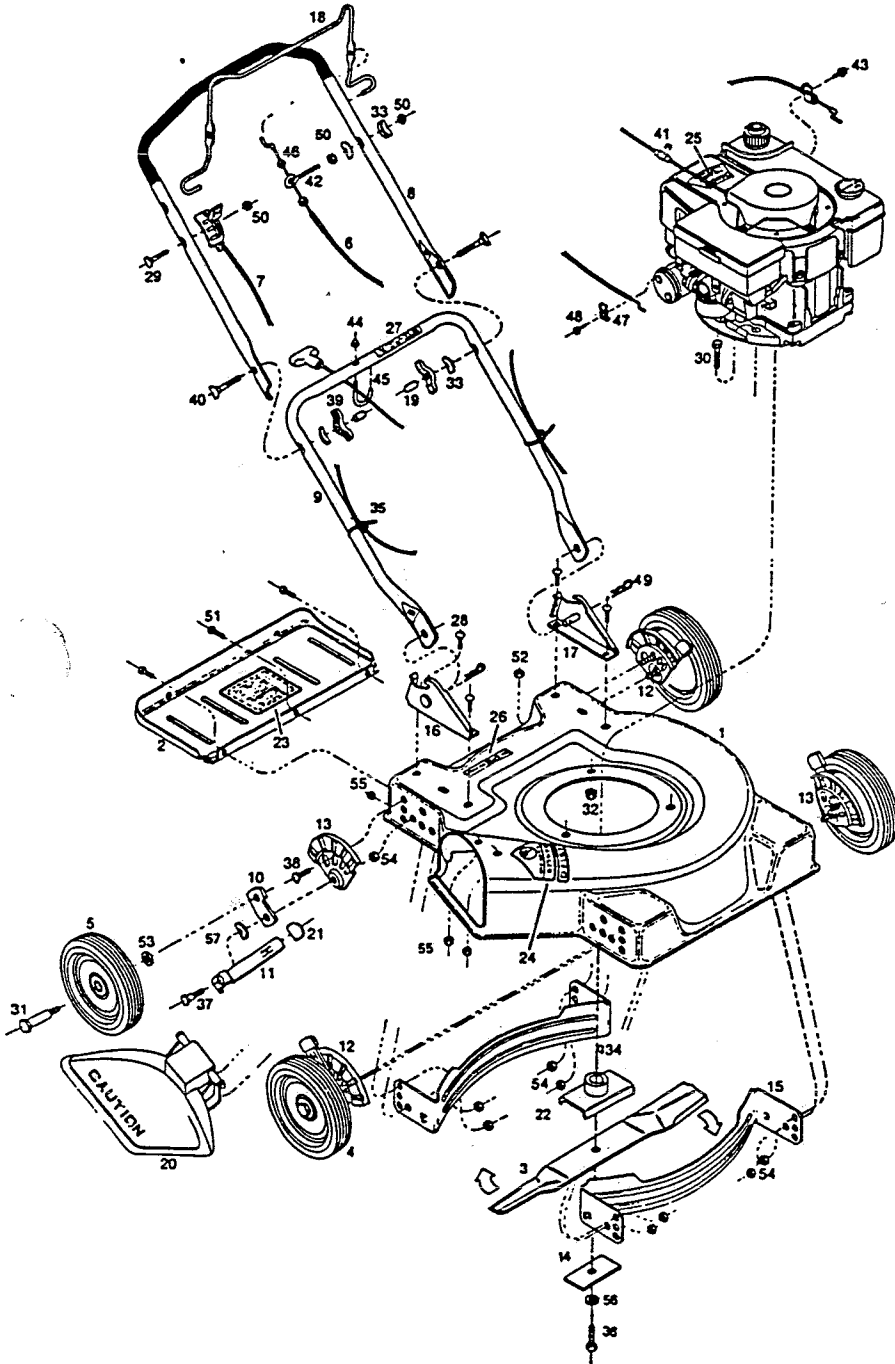


MODEL: 65B
20" ROTARY MOWER
 Grass Catcher Model GC-11



INDEX NO.	PART NO.	DESCRIPTION
1	026930	Deck 20" 13 Gauge
2	027169	Trailing Shield *
3	030403	Blade 20" Offset
4	040915	Wheel 7x1.50 White Steel Heavy Duty
5	040923	Wheel 8x1.75 White Steel Heavy Duty
6	050344	Control Cable Engine/Blade *
7	050435	Control - Throttle
8	071159	Handle - Upper Coated 18 Gauge
9	071241	Handle - Lower 16 Gauge
10	090282	Wheel Lever - Height Adjuster
11	090399	Setting Lever - Height Adjuster
12	090431	Back Plate-Hght Adj. RH Front LH Rear
13	090449	Back Plate-Hght Adj. LH Front RH Rear
14	106005	Blade Washer
15	101535	Baffle - Front and Rear *
16	104661	Handle Bracket - RH
17	104679	Handle Bracket - LH
18	104745	Control - Engine/Blade Crossbar *
19	110064	Bolt Cap
20	110387	Chute Deflector Assembly *
21	110510	Plastic Tip - Height Adjuster
22	133140	Blade Adapter
23	142661	Decal - Trailing Shield
24	144063	Decal - C.P.S.C. Danger
25	144204	Decal - Blade Warning
26	714170	Decal - Rating Plate
27	144899	Decal - Starting Instructions
28	150011	Bolt - Carriage 1/4-20 x 5/8
29	150029	Bolt - Curved Head 1/4-20 x 1 1/2
30	150045	Bolt - Hex Head 5/16-18 x 1 1/4
31	150060	Shoulder Bolt - Wheel
32	310151	Locknut - 5/16-18 Nylock
33	150201	Washer - Curved 5/16
34	150276	Woodruff Key #6
35	110379	Cable Tie
36	450288	Bolt Blade 3/8-24 x 1 Gr 5
37	150896	Shoulder Bolt - Height Adjuster
38	150904	Bolt - Shaved Hex Head 3/8-16 x 3/4
39	151795	Wing Nut 5/16-18
40	151936	Bolt-Curved Head Carr. 5/16-18x2 1/4
41	152066	Staple - Rope Stop
42	152140	Eyebolt - Cable Mounting
43	152157	Bolt-Hex Washer Head SEMS 10-32x 1/4
44	152207	Locknut 1/4-20 Acorn
45	152215	Rope Guide
46	152223	Nut - Hex Jam 5/16-24
47	152231	Cable Clamp
48	152249	Bolt - Hex Washer Head 10-32x 3/8
49	715011	Hitch Pin #3
50	715037	Locknut 1/4-20 Keps
51	715045	Bolt - Hex Head 1/4-20x 3/4
52	715078	Locknut 1/4-20 Whiz
53	715409	Washer-Disc Spring 3/8
54	715441	Locknut 3/8-16 Whiz
55	715508	Locknut 1/4-20 Top
56	461475	Lockwasher-3/8 Extra Duty
57	152314	Washer - Spring - Height Adjuster

NOTE: Parts are right or left hand as viewed from operator position.
 Approximate cutting heights 1 1/4" to 3".
 Specifications subject to change without prior notice.