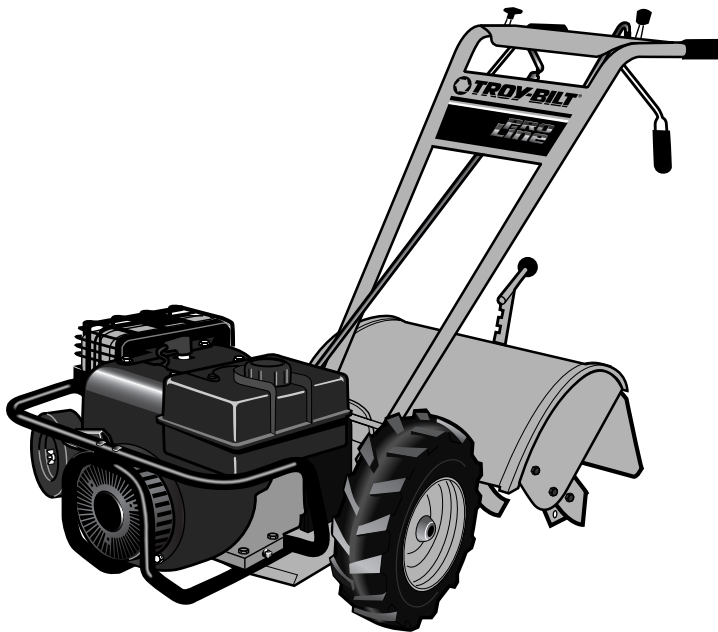




Illustrated Parts List

**PRO
Line**

Rear-tine Tiller Model
675B—Pony®



Model 675B Shown (bumper styles vary)

IMPORTANT: READ SAFETY RULES AND INSTRUCTIONS CAREFULLY

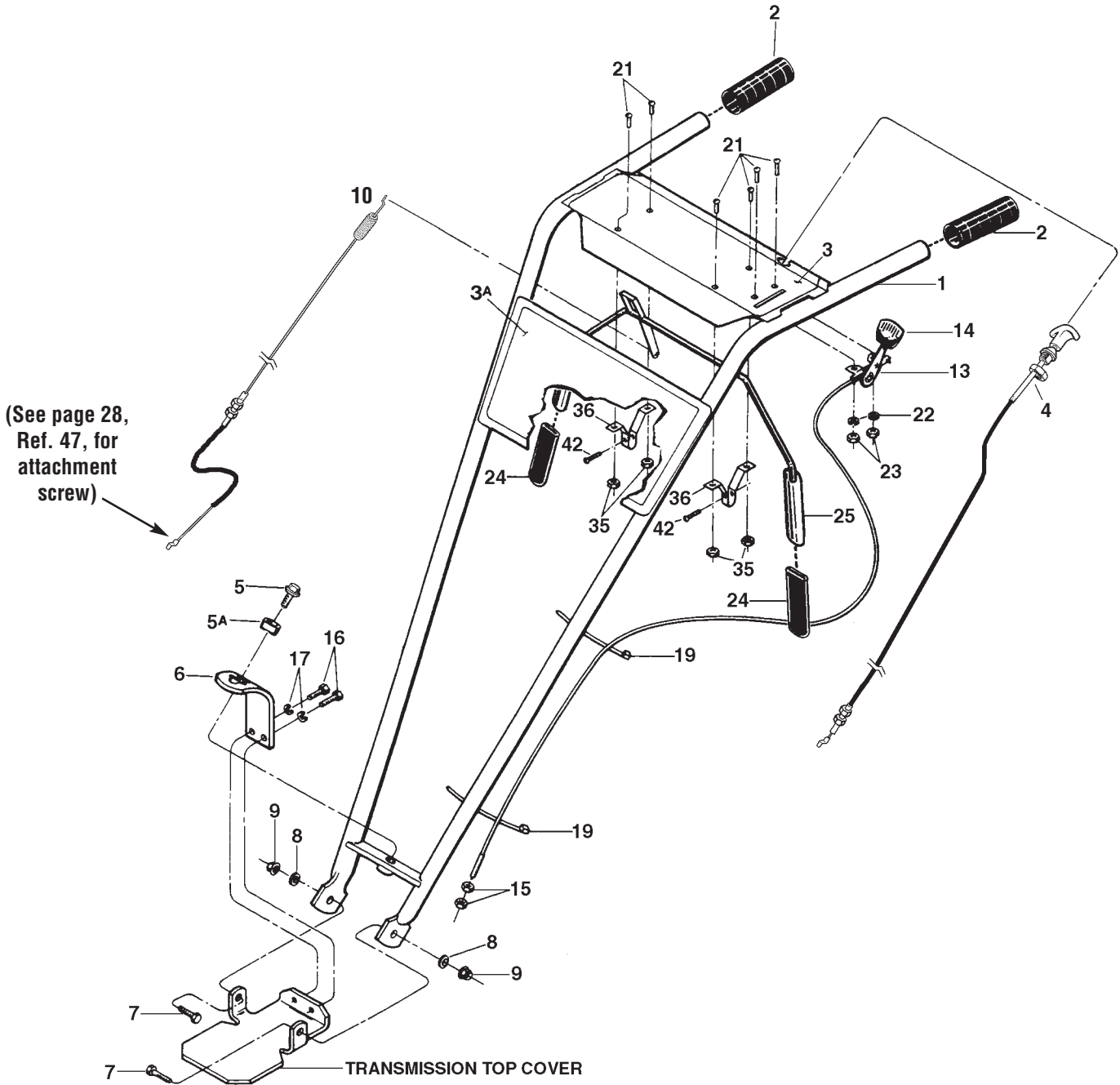
Warning: This unit is equipped with an internal combustion engine and should not be used on or near any unimproved forest-covered, brush-covered or grass-covered land unless the engine's exhaust system is equipped with a spark arrester meeting applicable local or state laws (if any). If a spark arrester is used, it should be maintained in effective working order by the operator. In the State of California the above is required by law (Section 4442 of the California Public Resources Code). Other states may have similar laws. Federal laws apply on federal lands. A spark arrester for the muffler is available by contacting the service department at Troy-Bilt LLC, P.O. Box 361131 Cleveland, Ohio 44136-0019.

TROY-BILT LLC, P.O. BOX 361131, CLEVELAND, OH 44136-0019

PRINTED IN USA

FROM NO. 769-00586
(12/2002)

HANDLEBAR ASSEMBLY and CONTROL LEVERS



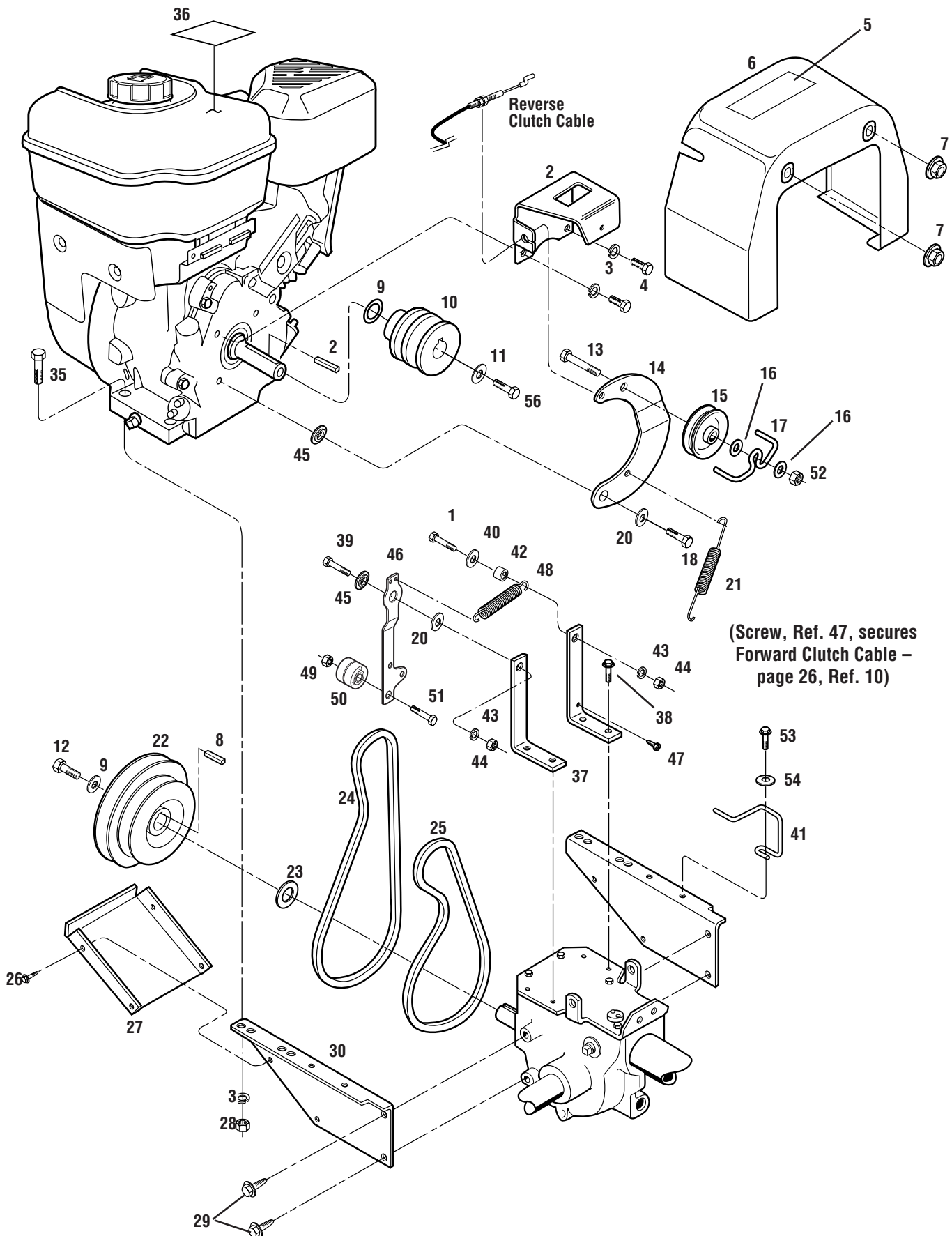
Model 675B

HANDLEBAR ASSEMBLY and CONTROL LEVERS

REF. No.	PART No.	DESCRIPTION	QTY.	REF. No.	PART No.	DESCRIPTION	QTY.
1	1918811	Handlebars (Incl. Refs. 2, 3 & 3A)	1	15	1186211	Hex Nut, 5/16-24	2
2	GW-9126	Grip	2	16	710-0216	Hex Hd. Screw, 3/8-16 x 3/4*	2
3	777I22071	Decal, Control Panel	1	17	736-0169	Lockwasher, 3/8	2
3A	777D006865	Decal, Model Name/Logo	1	19	725-0157	Cable Ties, Plastic.....	2
4	1916639	Reverse Clutch Control Cable	1	21	1114748	Round Hd. Screw, #10-32 x 1/2	6
5	1186347	Height Adjustment Screw	1	22	1100240	Lockwasher, #10	2
5A	GW-9955	Washer, Keyed.....	1	23	1186208	Hex Nut, #10-32	2
6	1900475	Bracket, Handlebar Height Adjustment	1	24	GW-9390	Grip	2
7	710-0514	Hex Hd. Screw, 3/8-16 x 1*	2	25	1918840	Bail, Forward Clutch Control (Incl. two Ref. 24)	1
8	736-3050	Washer, Plain (flat) 3/8, S.A.E.	2	35	GW-9853	Sems Nut.....	4
9	712-3000	Hex Locknut, 3/8-16	2	36	GW-20806	Bracket, Bail Support.....	2
10	1918791	Cable, Forward Clutch Control	1	42	710-0599	Hex Flange Screw, self-tapping, 1/4-20 x 1/2*	2
13	GW-9442	Wheel Gear Control and Cable Assy. (Incl. Refs. 14, 15, 19, 21, 22 & 23)	1				
14	GW-9057	Knob, Wheel Gear Control Lever.....	1				

* Specify GRADE 5 if ordering part locally.

ENGINE, SUPPORT BRACKETS, PULLEYS, BELTS, BELT COVER



Model 675B

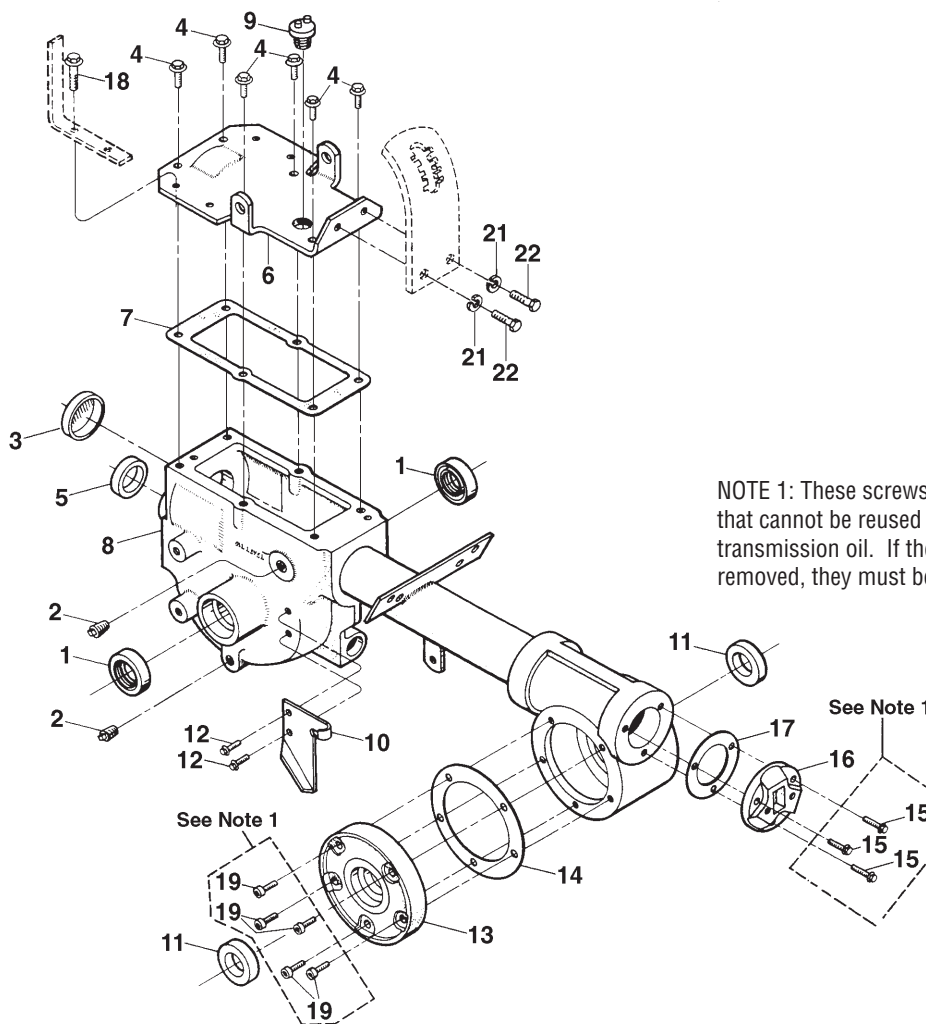
ENGINE, SUPPORT BRACKETS, PULLEYS, BELTS, BELT COVER

REF. No.	PART No.	DESCRIPTION	QTY.	REF. No.	PART No.	DESCRIPTION	QTY.
1	710-0395	Hex Hd. Screw, 5/16-18 x 2-1/4	1	27	GW-20339	Guard, Belts/Pulleys	1
2	1917326	Bracket, Clutch Cable	1	28	712-0267	Hex Nut, 5/16-18	4
3	736-0119	Lockwasher-5/16.....	6	29	1186329	Hex Flange Screw, 5/16-18 x 3/4*	4
4	710-0107	Hex Hd. Screw, 5/16-24 x 1/2	2	30	1916797	Engine Support Bracket, left side	1
5	777S30651	Decal, Hot Surfaces/Belt Warning	1	31	1916796	Engine Support Bracket, right side.....	1
6	1917139	Cover (Incl. Ref. 5).....	1	35	710-0805	Hex Hd. Screw, 5/16-18 x 1-1/2	5
7	712-3004A	Flange Lock Nut, 5/16-18.....	2	36	777I20942	Decal, Stabilization	1
8	1108841	Key, 3/16 x 1-1/2	1	37	1918774	Mounting Bar	2
9	GW-1138-1	Shim	1	38	GW-90063	Hex Flange Screw, 5/16-18 x 1	4
10	1916520	Pulley, Engine Drive	1	39	710-3037	Hex Hd. Screw, 5/16-18 x 2-1/4*	1
11	GW-9944	Belleville Washer	2	40	736-0275	Flat Washer, 5/16'	1
12	GW-9572	Hex Hd. Screw, 5/16-24 x 1-1/8	1	41	1918846	Belt Guide, Pony	2
13	710-3103	Hex Hd. Screw, 5/16-18 x 2	1	42	GW-55088	Pivot Bushing.....	2
14	1918731	Reverse Idler Arm	1	43	736-0119	Lockwasher, 5/16.....	2
15	1916535	Pulley, Reverse Idler	1	44	712-0267	Hex Nut, 5/16-18.....	2
16	1107382	Flat Washer, 5/16	2	45	1917746	Washer, Shoulder	2
17	1916725	Belt Guide, Wire Formed	1	46	1918744	Idler Arm, Forward Tiller Direction	1
18	710-0117	Hex Head Screw, 5/16-24 x 1.....	1	47	1767754	Screw, self tapping, #10-24	1
19	1917746	Washer, Shoulder	1	48	1916727	Spring	1
20	GW-9929	Washer, Flat, 1-1/8.....	3	49	712-3000	Hex Locknut, 5/16-18	1
21	1916728	Spring, Reverse Return.....	1	50	GW-9090	Idler Pulley, Forward	1
22	1916522	Transmission Pulley.....	1	51	710-0347	Screw, 3/8-16 x 1-3/4	1
23	GW-1440	Support Washer	1	52	712-0158	Hex Lock Nut, 5/16-18	1
24	1918812	Reverse Clutch Belt	1	53	1754128	Screw, 1/4-20 x 3/4	1
25	1909404	Forward Clutch Belt.....	1	54	736-0463	Flat Washer-1/4.....	1
26	1900396	Self-tapping Screw, #10-32 x 1/2,	4				

* Specify GRADE 5 if ordering part locally.

** See your local authorized engine service dealer for engine parts or service. Refer to engine nameplate for engine type and code information.

TRANSMISSION HOUSING, COVERS, SEALS, GASKETS, PLUGS



NOTE 1: These screws are a special sealing screw that cannot be reused without risking the loss of transmission oil. If these screws are loosened or removed, they must be replaced with new screws.

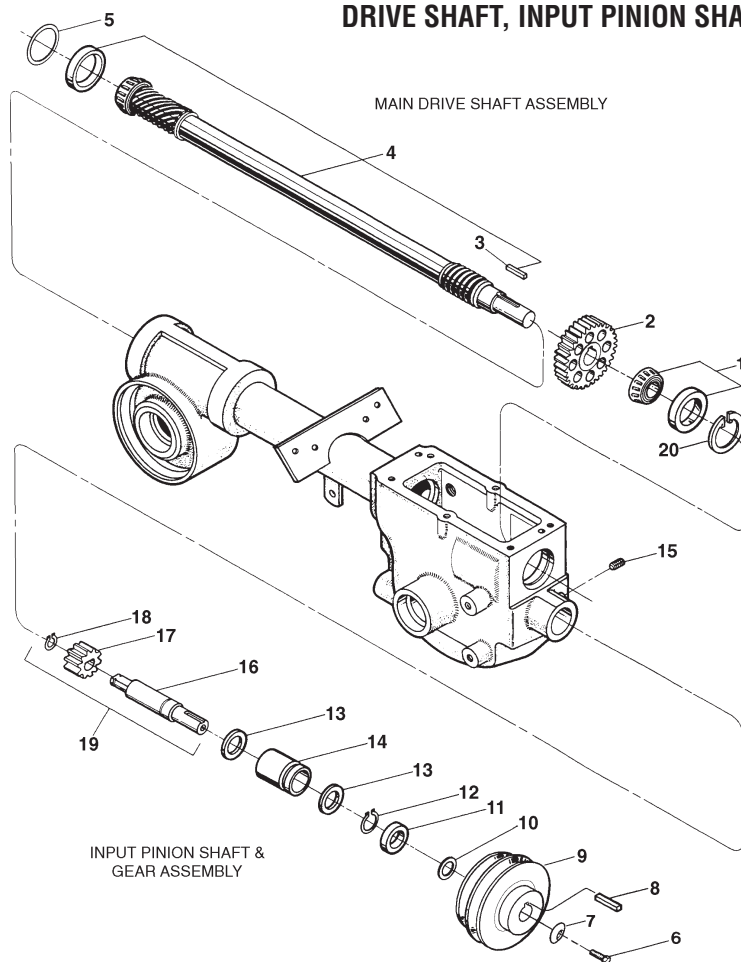
REF. No.	PART No.	DESCRIPTION	QTY.
1	721-04035	Oil Seal (Double Lip), Wheel Shaft	2
2	1105620	Pipe Plug, 1/4,	2
3	721-04001	Seal, Transmission Bore	1
4	1186329	Hex Flange Screw, 5/16-18 x 3/4*	6
5	1983632	Oil Seal, Input Pinion Shaft	1
6	GW-11513	Transmission Cover (Incl. four Ref. 18 and two ea. Refs. 21 & 22).....	1
7	GW-20694	Gasket, Transmission Top Cover	1
8	619-04010	Transmission Case Assy.	1
9	GW-9467	Plug	1
10	1917101	Mounting Plate, Wheel Clutch Cable ...	1
11	721-04035	Oil Seal, Tiller Shaft.....	2
12	710-04049	Hex Flange Screw, 5/16-18 x 5/8*	2

REF. No.	PART No.	DESCRIPTION	QTY.
13	GW-20873	Tiller Housing Cover, left side	1
14	GW-1129-1	Gasket, Tiller Housing Cover, .010" (fits all covers)	A/R
15	1915089	Screw Kit: Incl. three 1/4-20 x 7/8 Self-Sealing Screws	A/R
16	GW-1115	Rear Bearing Cap	1
17	GW-1124-2	Gasket, Rear Bearing Cap, .010" Thick	A/R
18	GW-90063	Hex Flange Screw, 5/16-18 x 1*	4
19	1915087	Screw Kit: Incl. five 1/4-20 x 5/8 Self-Sealing Screws	A/R
21	736-0169	Lockwasher, 3/8.....	2
22	710-0216	Hex Hd. Screw, 3/8-16 x 3/4*	2

* Specify GRADE 5 if ordering part locally.

A/R – As Required

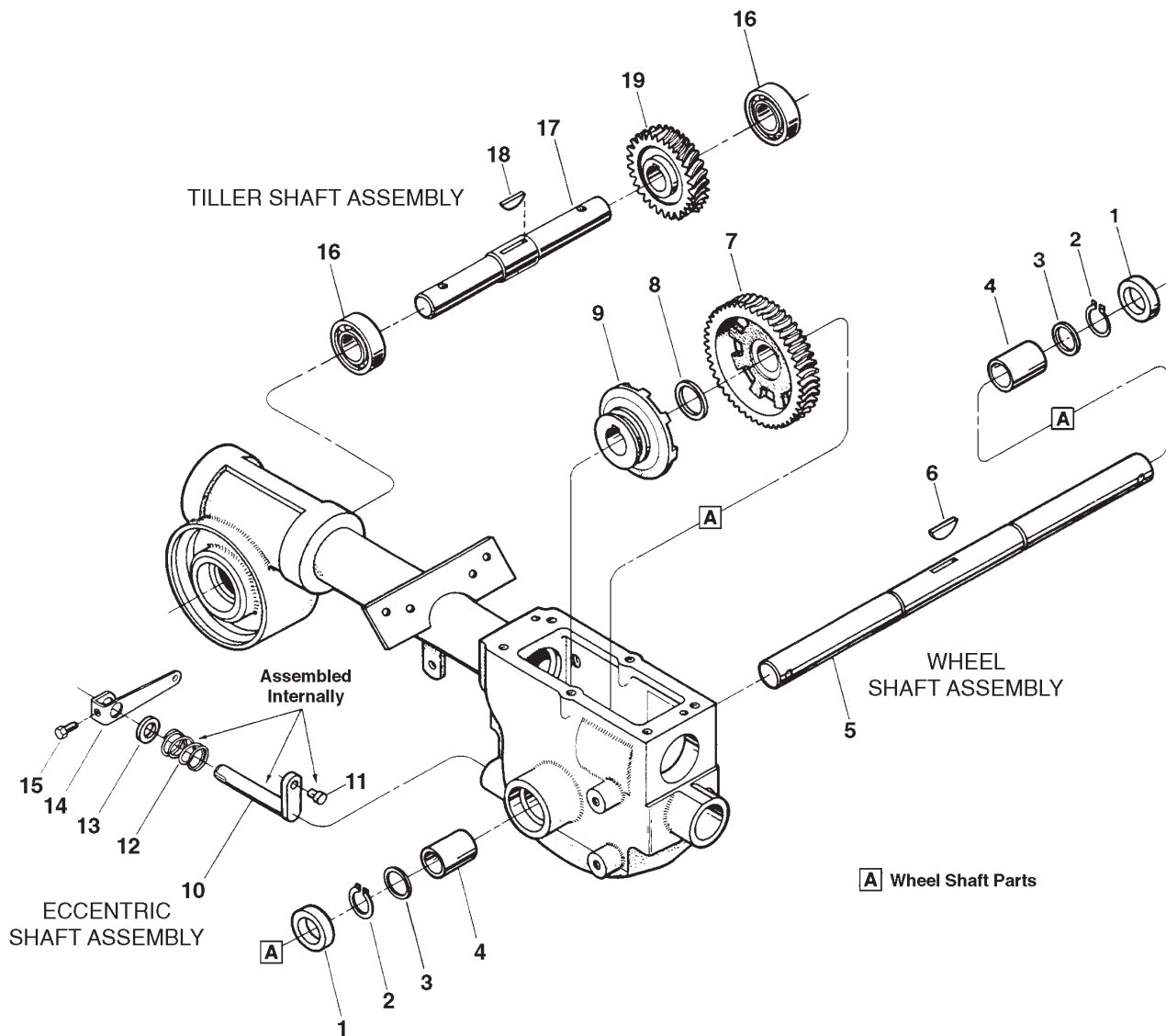
DRIVE SHAFT, INPUT PINION SHAFT and GEAR ASSEMBLIES



REF. No.	PART No.	DESCRIPTION	QTY.	REF. No.	PART No.	DESCRIPTION	QTY.
MAIN DRIVE SHAFT				INPUT PINION SHAFT & GEAR ASSEMBLY			
1	GW-1714	Bearing, Tapered Roller with Race	1	6	GW-9572	Hex Hd. Screw, 5/16-24 x 1-1/8*	1
2	GW-20718	Spur Gear	1	7	GW-9944	Washer, Disc Spring (concave surface faces pulley).....	1
3	GW-9301	Key, 3/16 sq. x 1	1	8	1108841	Key, 3/16 sq. x 1-1/2	1
4	1916597	Main Drive Shaft (Drive shaft is one-piece with integral, single-lead, work-hardened front worm, and integral, six-lead, work-hardened rear worm. Also includes pressed-on GW-1714 and GW-9301).....	1	9	1916522	Transmission Drive Pulley.....	1
5	GW-1224-1	Shim, Rear Bearing Cap, .010" thick (see Note below)	A/R	10	GW-1440	Support Washer	1
5	GW-1224-2	Shim, same as above, but .030" thick (see Note).....	A/R	11	721-04044	Oil Seal, Input Pinion Shaft.....	1
5	GW-1224-3	Shim, same as above, but .005" thick (see Note).....	A/R	12	1113527	Retaining Ring (external)	1
...	GW-1325C	Shim Set (Incl. two GW-1224-1; two 1224-2 and one GW-1224-3)	A/R	13	GW-9953	Thrust Washer.....	2
				14	GW-9428	Bushing.....	1
				15	GW-9677	Set Screw, 5/16-18 x 3/8*	1
				16	GW-20791	Input Pinion (steel shaft).....	1
				17	GW-20792	Input Pinion Gear	1
				18	GW-9093	Retaining Ring (external) l.....	1
				19	GW-20799	Pinion Assy. (Incl. one each Refs. 16, 17 and 18)	A/R
				20	GW-9517	Retaining Ring (internal)	1

NOTE: Shim between drive shaft rear bearing and rear bearing cap to achieve 5-to-10 thousandths of an inch (.005-.010) end play on drive shaft.
A/R - As Required
* Specify GRADE 5 if ordering part locally.

WHEEL SHAFT, ECCENTRIC SHAFT and TILLER SHAFT ASSEMBLIES



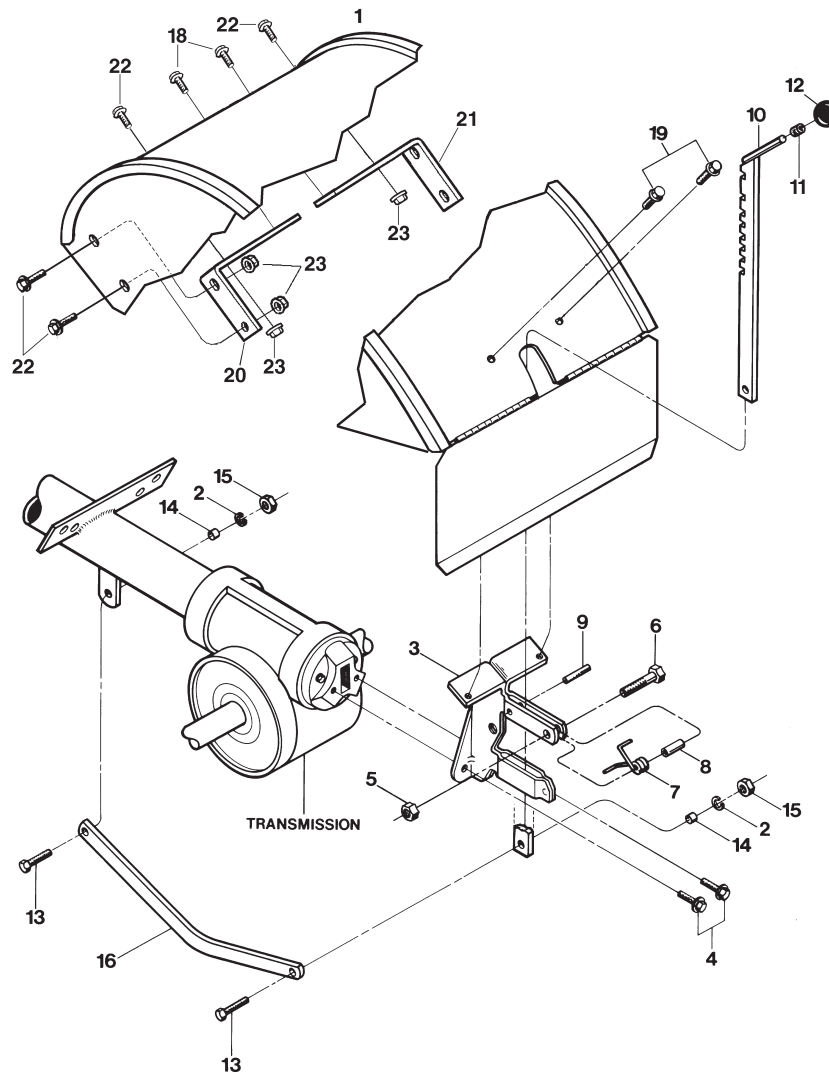
REF. No.	PART No.	DESCRIPTION	QTY.
1	721-04031	Oil Seal	2
2	1909950	Retaining Ring (heavy-duty, external)	2
3	GW-1166-1	Shim, 1-1/64 I.D., .062" thick	A/R
---	GW-1166-2	Shim, as above, but .030" thick	A/R
---	GW-1166-3	Shim, as above, but .015" thick	A/R
---	GW-1166-4	Shim, as above, but .010" thick	A/R
4	GW-1086	Bushing	2
5	711-04091	Wheel Shaft (Incl. Ref. 6)	1
6	GW-9373	Hi-Pro Key, 1/4 x 1-5/16	1
7	GW-20914	Wheel Drive Worm Gear (cast-iron) ..	1
8	GW-9935	Shim (between key and gear), 1.016 I.D. x 1.468 O.D. x .062 Thick	1

REF. No.	PART No.	DESCRIPTION	QTY.
9	GW-20712	Wheel Drive Clutch (cast-iron)	1
10	611-04002	Eccentric Shaft	1
11	GW-1442	Pin, Eccentric Shaft	1
12	GW-9055	Spring	1
13	721-04034	Oil Seal	1
14	786-04001	Eccentric Shaft Lever	1
15	710-3013	Hex Hd. Screw, 1/4-20 x 1/2*	1
16	741-3037	Ball Bearing	2
17	711-04130	Tiller Shaft (Incl. Ref. 18)	1
18	GW-1104	Woodruff Key, 1/4 x 1-1/4	1
19	1904279	Tiller Drive Worm Gear (bronze)	1

* Specify GRADE 5 if ordering part locally.

A/R - As Required

HOOD, BRACKET AND DEPTH REGULATOR

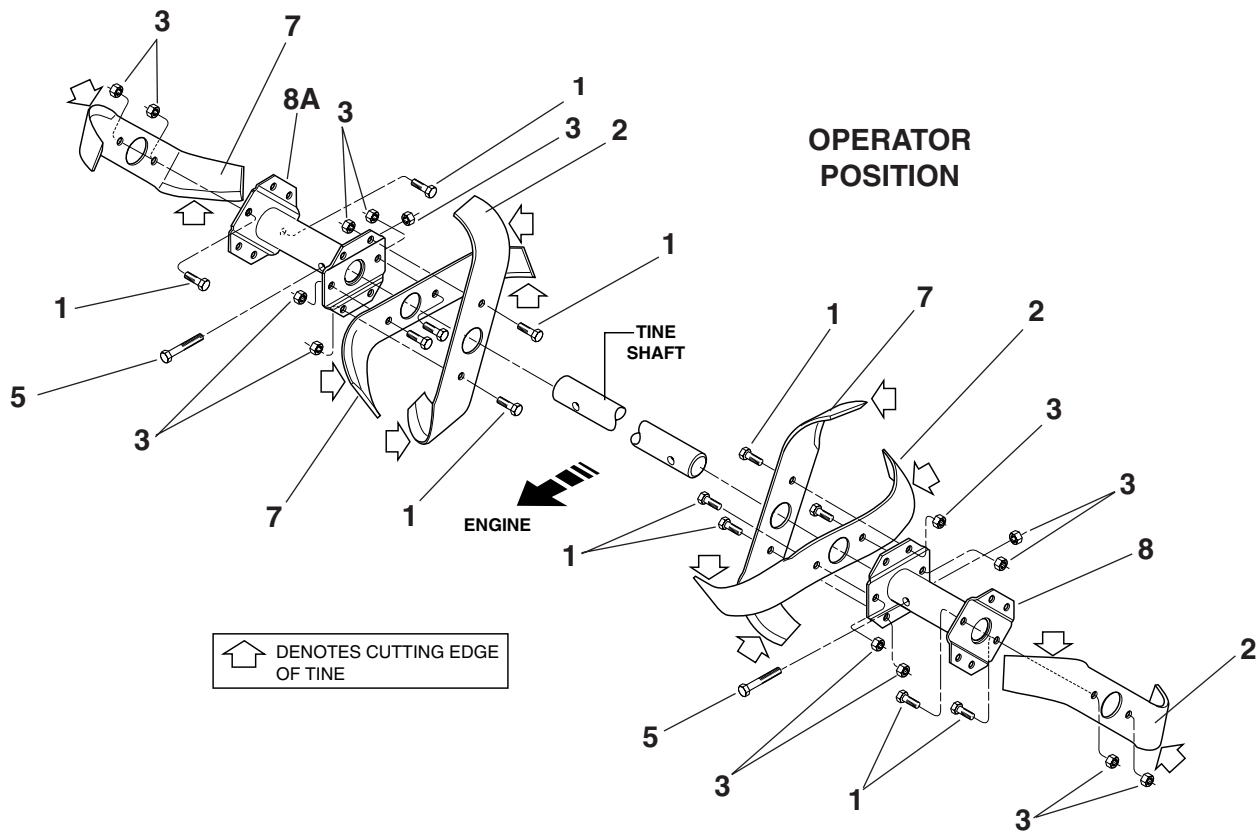


REF. No.	PART No.	DESCRIPTION	QTY.
1	686-04021	Hood, Tine	1
2	736-0169	Lockwasher, 3/8.....	2
3	GW-2525	Bracket, Hood & Depth Regulator.....	1
4	710-04049	Hex Hd. Flg. Screw, 5/16-18 x 5/8*	2
5	712-0291	Hex Lock Nut, 1/4-20	1
6	710-0597	Hex Hd. Screw, 1/4-20 x 1*	1
7	GW-9384	Spring, Depth Regulator Plunger	1
8	GW-9534	Spacer.....	1
9	1185469	Roll Pin (spiral), 1/4 x 1	1
10	1916186	Bar Assembly, Depth Adjustment.....	1
11	GW-9120	Retaining Ring (Tolerance Ring).....	1
12	GW-9119	Knob, Depth Regulator (Incl. Ref. 11).	1

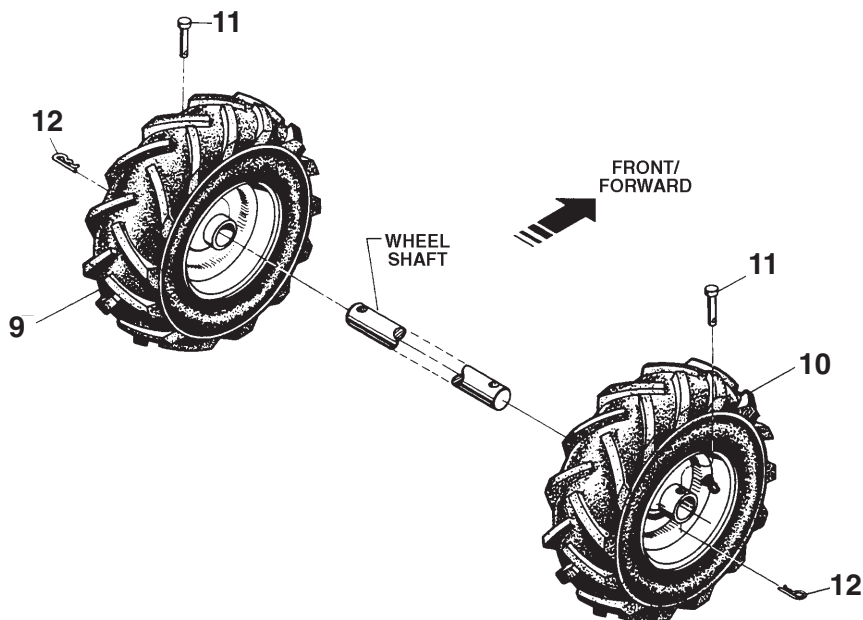
REF. No.	PART No.	DESCRIPTION	QTY.
13	710-3005	Hex Hd. Screw, 3/8-16 x 1-1/4*	2
14	GW-1113-1	Bushing (spacer).....	2
15	712-3017	Hex Nut, 3/8-16.....	2
16	GW-20775	Drag Bar, Depth Regulator	1
18	710-0759	Hex Hd. Screw, self-tapping, 5/16-18 x 1/2*	2
19	710-0599	Hex Hd. Flg. Screw, self-tapping, 1/4-20 x 1/2*	2
20	1916700	Support Bracket, Left-Side.....	2
21	1916701	Support Bracket, Right-Side	1
22	1186328	Hex Hd. Screw, 5/16-18 x 5/8	6
23	1186391	Hex Nut, 5/16-18	6

* Specify GRADE 5 if ordering part locally.

TINES



WHEELS

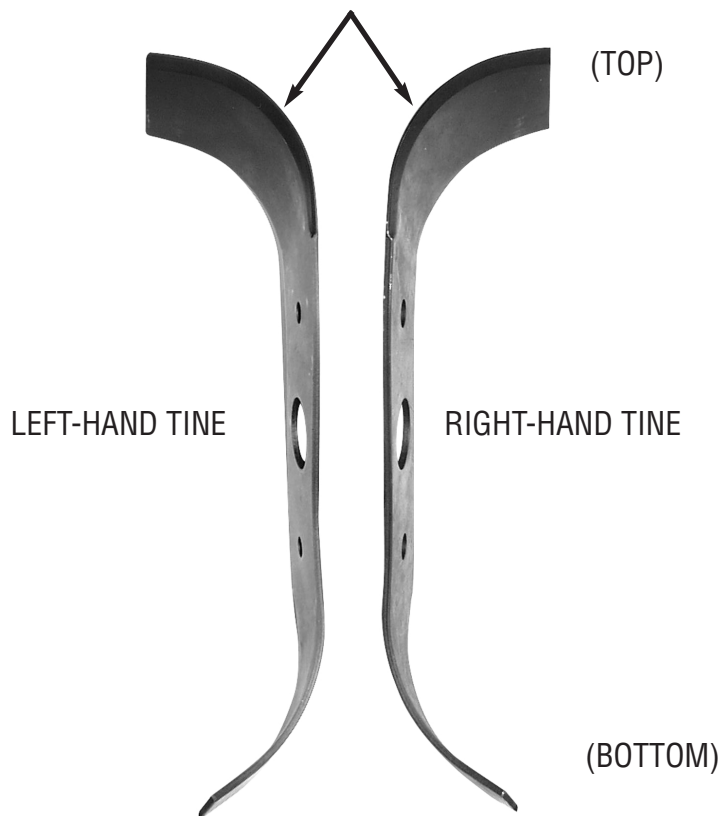


TINES & WHEELS

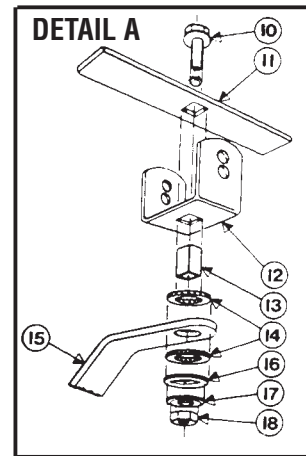
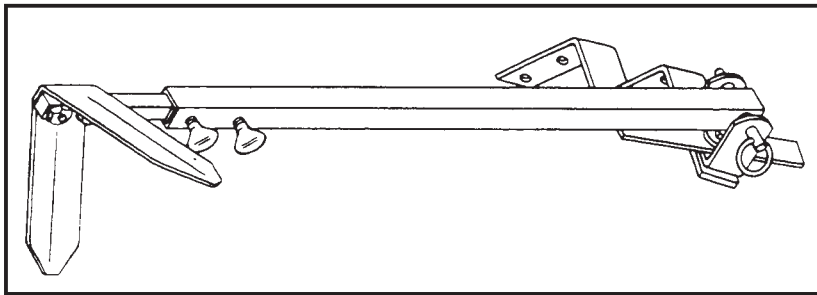
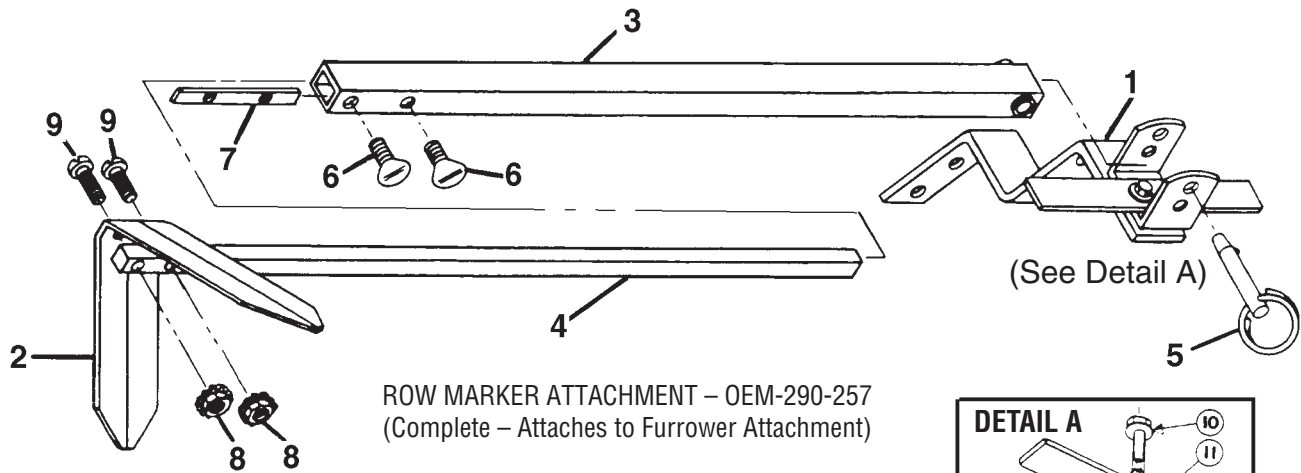
REF. No.	PART No.	DESCRIPTION	QTY.	REF. No.	PART No.	DESCRIPTION	QTY.
1	1100068	Hex Hd. Screw, 3/8-16 x 3/4*	12	9	634-04033	Wheel & Tire Assy., left-side	1
2	1985101	Tine – right-hand	3	10	634-04032	Wheel & Tire Assy., right-side	1
3	1110108	Hex Lock Nut, 3/8-16	14	11	GW-9380	Clevis Pin, .312 x 1-3/4 long	2
5	710-3096	Hex Hd. Screw, 3/8-16 x 2, Grade 8....	2	12	GW-9338	Hitch Pin	2
7	1985100	Tine – left-hand	3				
8	1916693	Tine Holder, left-side	1				
8A	1916694	Tine Holder, right-side	1				

IMPORTANT: LEFT and RIGHT sides of tiller are determined by standing in the operator position (BEHIND THE HOOD) and facing the direction of forward travel.

MOUNT TINES SO THE CUTTING EDGE AT THE TOP OF EACH TINE FACES THE OPERATOR

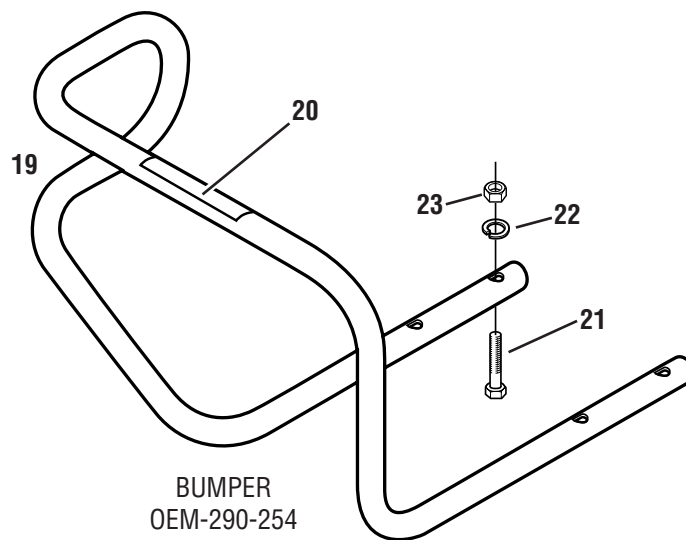


ROW MARKER ATTACHMENT



MAIN SUPPORT/YOKE ASSEMBLY
PART # 1904522001

BUMPER ATTACHMENT



Model 675B

ROW MARKER ATTACHMENT & BUMPER ATTACHMENT

REF No.	PART No.	DESCRIPTION	QTY.	REF No.	PART No.	DESCRIPTION	QTY.
Row Marker Attachment (option) – OEM-290-254				Row Marker Main Support & Yoke Assembly – Part #1904522001			
1	1904522	Main Support & Yoke Assy–complete. (Incl. Ref. No.'s 10,11,12,13,14,15,16,17 & 18).....	1	10	1186349	Screw–hex flanged locking, 3/8-16 x 1-1/2*	1
2	GW-1594	Marker Blade–blade only	1	11	GW-1593	Stop Bar	1
3	1904524	Marker Arm–main arm	1	12	GW-1592	Yoke	1
4	1904523	Marker Arm–extension arm with stop pin	1	13	GW-1591	Tube Key–square.....	1
5	GW-9347	Hitch Pin–(incl. in Hardware Pkg GW-1837).....	1	14	GW-1590	Washer–friction.....	2
6	GW-9786	Thumbscrew–1/4-20 x 1/2, not avail. sep. (see hardware pkg. GW-1837).....	2	15	GW-1588	Main Support	1
7	GW-1596	Nut Bar–(incl. in hardware pkg GW-1837).....	1	16	GW-1589	Washer–square hole.....	1
8	GW-9828	Nut–hex, 10-24 w/attached start washers, not avail. sep. (see hardware pkg #1837)	2	17	GW-9925	Washer–disc spring	1
9	1100135	Screw–round hd.,10-24 x 1, not avail. sep. (see hardware pkg GW-1837).....	2	18	1186231	Nut–hex 3/8-16	1
---	GW-1837	Hardware Package–includes: one GW-9347 hitch pin (Ref. 5), two GW-9786 thumbscrews (Ref. 6), one GW-1596 nut bar (Ref. 7), two GW-9828 hex nuts (Ref. 8), two 1100135 screws (Ref. 9)	1	Bumper – OEM-290-254			
				19	1918749	Bumper	1
				20	777S30653	Decal - Caution	1
				21	710-3073	Screw–hex hd., 5/16-18 x 2-1/4* ,.....	4
				22	736-0119	Lockwasher–5/16* ,.....	4
				23	712-0267	Nut–hex, 5/16-18* ,	4
				---	1918781	Hardware Kit: Incl. four each of Refs. 21, 22 and 23	1

Note: Common hardware listed above as “not available separately” can be found at most hardware stores.

* Specify GRADE 5 if ordering part locally.