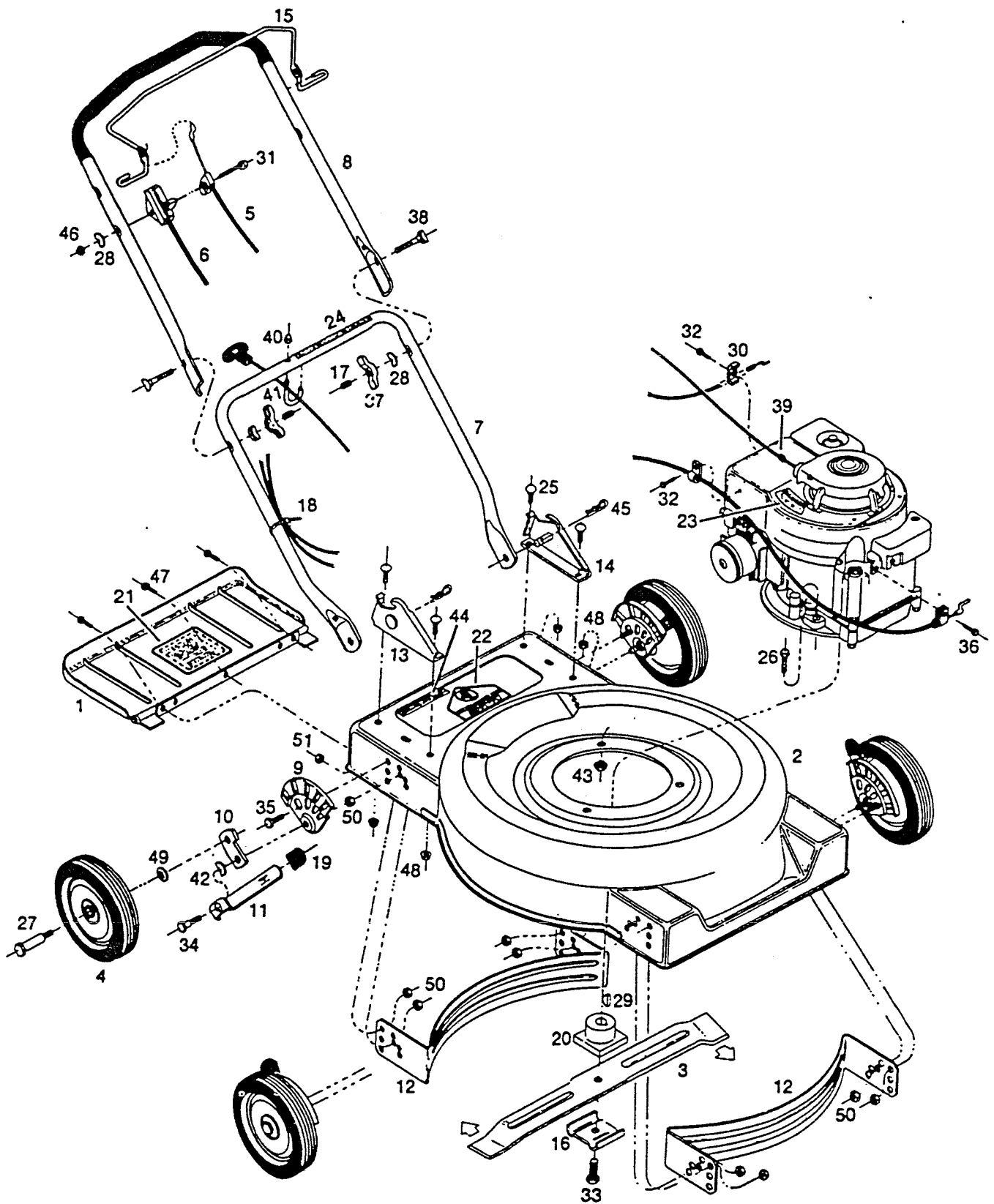


Model 72B
20" Rotary Mulching Mow



Model 72B

INDEX NO.	PART NO.	DESCRIPTION
1	027169	Trailing Shield*
2	028332	Deck 20" Mulcher
3	030189	Blade 20" Mulcher
4	040451	Wheel 8 x 1.75 White - Steel
5	050500	Control Cable - Engine/Blade*
6	050542	Control - Throttle
7	071050	Handle - Lower
8	071159	Handle - Upper Coated
9	090274	Back Plate - Height Adjuster
10	090282	Wheel Lever - Height Adjuster
11	090399	Setting Lever - Height Adjuster
12	102533	Baffle - Front and Rear*
13	104661	Handle Bracket - Right Hand
14	104679	Handle Bracket - Left Hand
15	104745	Control - Engine/Blade Crossbar*
16	106336	Blade Washer*
17	110064	Bolt Cap
18	110379	Cable Tie
19	110510	Plastic Tip - Height Adjuster
20	133231	Blade Adapter
21	142661	Decal - Trailing Shield
22	143115	Decal - C.P.S.C. Danger
23	144204	Decal - Blade Warning
24	144899	Decal - Starting Instructions
25	150011	Bolt - Carriage 1/4-20 x 5/8
26	150045	Bolt - Hex Head 5/16-18 x 1-1/4
27	150060	Bolt - Wheel
28	150201	Washer - Curved 5/16
29	150276	Woodruff Key #6
30	150318	Cable Clamp
31	150433	Bolt Hex Head 1/4-20 x2
32	150623	Screw-Hex Head Sheet Metal #10x5/8
33	150862	Bolt - Blade
34	150896	Bolt - Shoulder - Height Adjuster
35	150904	Bolt - Shaved Hex Head 3/8-16 x 3/4
36	151613	Bolt - 10-32 x 3/8 Hex Head
37	151795	Wing Nut 5/16-18
38	151936	Bolt-Curved Head 5/16-18 x 2 1/4
39	152074	Rope Stop
40	152207	Locknut Acorn 1/4-20
41	152215	Rope Guide
42	152314	Washer - Spring
43	310151	Locknut - 5/16-18 Nylock
44	714170	Decal - Rating Plate
45	715011	Hitch Pin #3
46	715037	Locknut - Keps 1/4-20
47	715045	Bolt - Hex Head 1/4-20 x 3/4
48	715078	Nut - Whizlock 1/4-20
49	715409	Washer - Disc Spring 3/8
50	715441	Nut - Whizlock 3/8-16
51	715508	Locknut Top 1/4-20

NOTE: Parts are right or left hand as viewed from operator position.