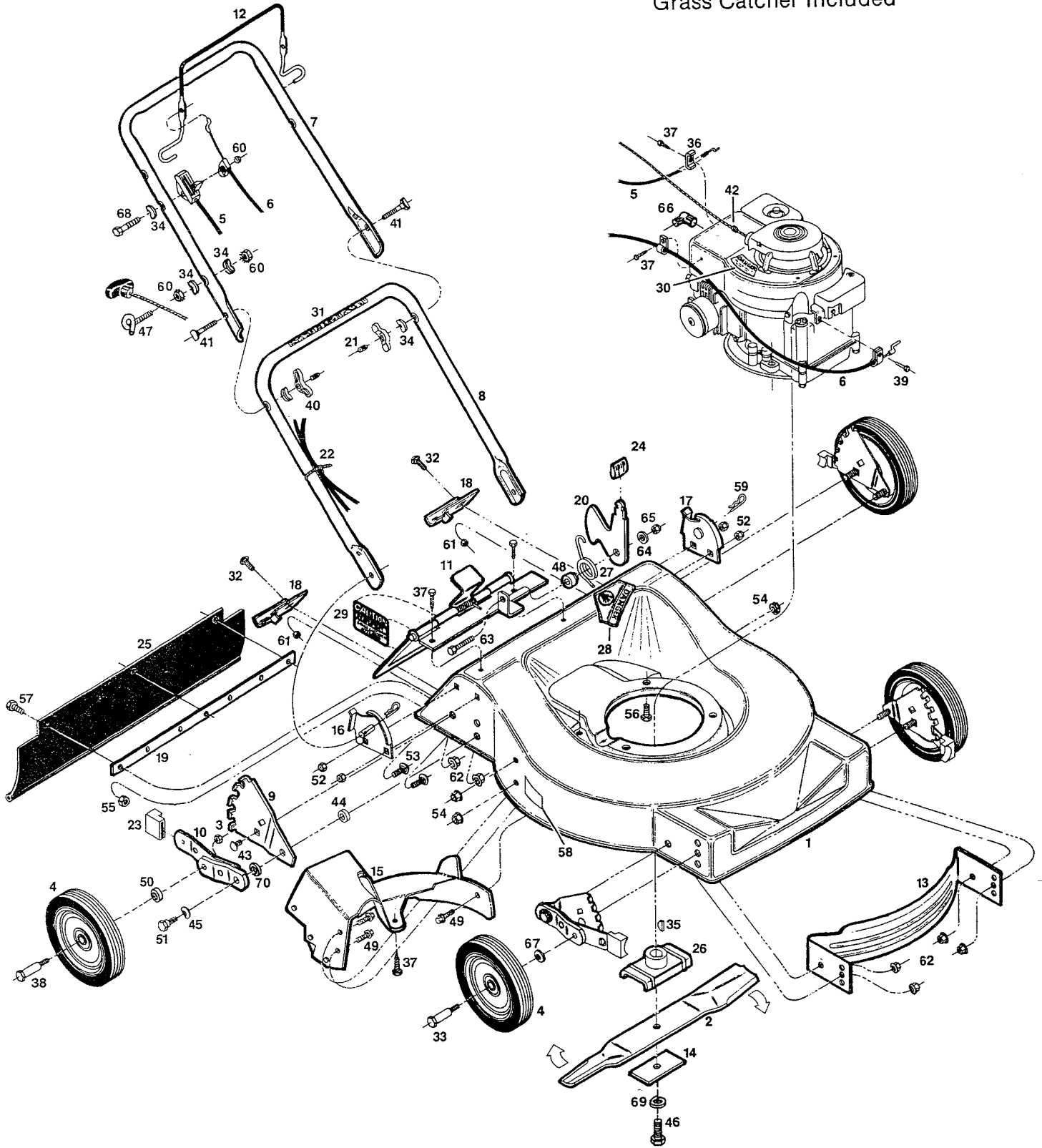


Model 81 F
21" Rear Bagging Rotary Mower
Grass Catcher Included



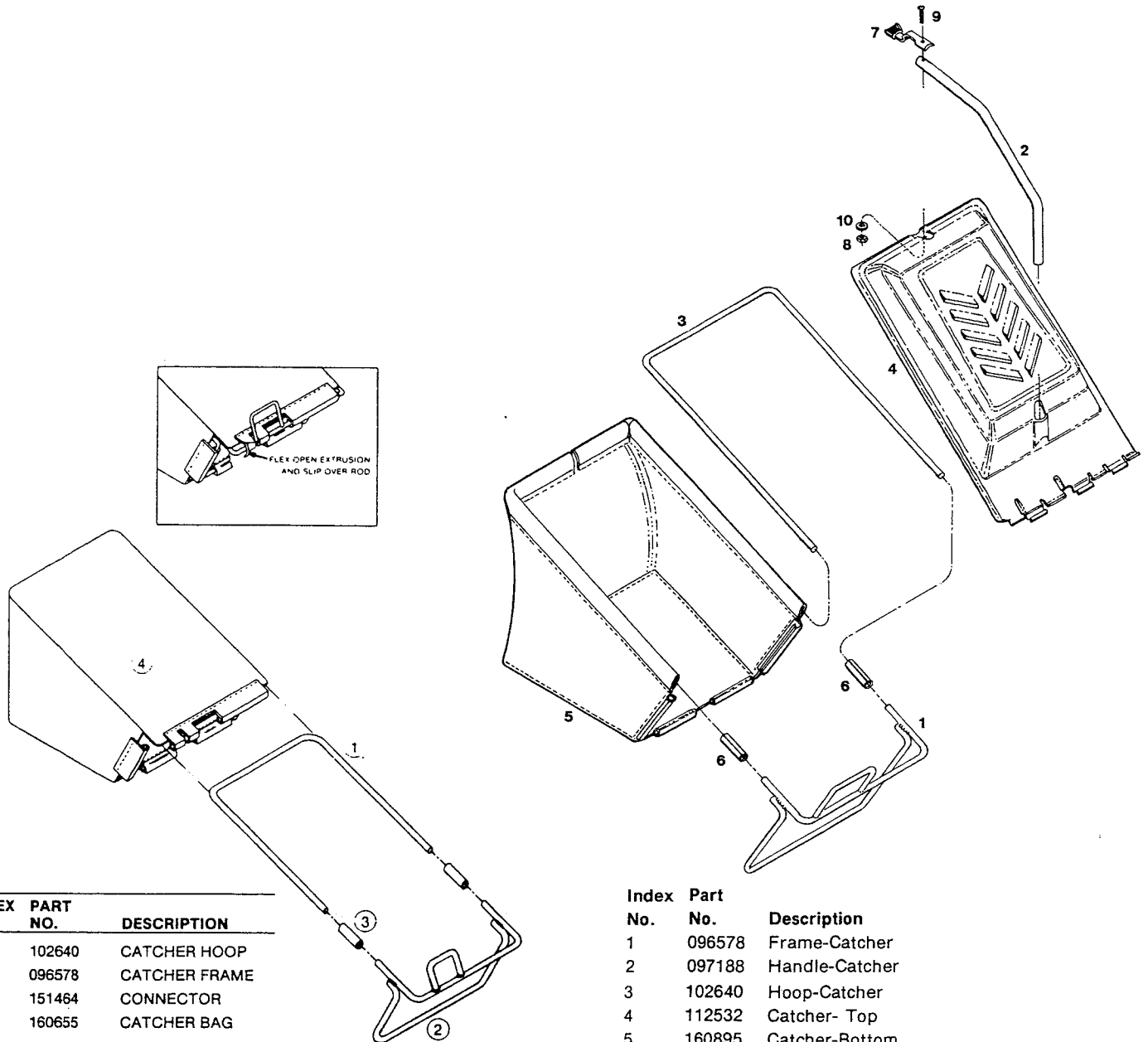
Model 81 F
21" Rear Bagging Rotary Mower
 Grass Catcher Included

Index No.	Part No.	Description	Index No.	Part No.	Description
1	013391	Deck 21" Rear	36	150318	Cable Clamp
2	030338	Blade 21" Offset	37	150623	Screw - Screw Metal #10x $\frac{5}{8}$
3	715524	Locknut 3/8-16 Jam	38	156158	Bolt - Wheel, Rear
4	498634	Wheel 8 x 1.75	39	151613	Bolt - Hex Head SEMS 10-32x $\frac{3}{8}$
5	051227	Control - Throttle	40	151795	Wing Nut 5/16-18
6	051482	Cable - Engine/Blade Control*	41	151936	Bolt - Curved Head 5/16-18x2 $\frac{1}{4}$
7	071076	Handle Upper	42	152074	Rope Stop
8	071449	Handle Lower	43	152405	Bolt - Carriage $\frac{3}{8}$ -16 x $\frac{3}{4}$
9	090589	Back Plate - Height Adjuster	44	156182	Washer-Plastic-Height Adjuster
10	091033	Wheel Arm Ass'y - Height Adjuster	45	152421	Washer Spring - Height Adjuster
11	126839	Door Assembly*	46	157255	Bolt - Blade HX HD SEMS $\frac{3}{8}$ -24x1
12	109470	Bail - Engine/Blade Control*	47	152371	Rope Guide
13	105825	Baffle - Front	48	152637	Spacer - Catcher Latch
14	106005	Blade Washer	49	156851	Bolt - Hex Shaved Head $\frac{1}{4}$ -20 x $\frac{3}{8}$
15	127191	Baffle Assembly	50	152686	Spacer - Rear Wheel
16	106807	Handle Bracket - Right Hand	51	156125	Shoulder Bolt - Height Adjuster
17	106815	Handle Bracket - Left Hand	52	310151	Locknut - 5/16-18 Nylon Insert
18	109546	Catcher Frame Bracket	53	313510	Bolt - Carriage 5/16 x 18 x $\frac{3}{4}$
19	109496	Backing Strip - Trailing Shield	54	451419	Nut - 1/4-20 Top Lock Flange
20	108324	Catcher Latch	55	452318	Nut #10-24 Hex Nylon Insert
21	110064	Bolt Cap - Plastic	56	457168	Bolt - $\frac{3}{8}$ -16 x $\frac{7}{8}$ Thread Forming
22	110379	Cable Tie	57	458687	Bolt - #10-24 x $\frac{1}{2}$
23	112540	Plastic Tip - Height Adjuster	58	714170	Decal - Rating Plate
24	111369	Knob - Catcher Latch	59	715011	Hairpin Cotter
25	111625	Trailing Shield - Plastic*	60	715037	Locknut $\frac{1}{4}$ -20 Keps
26	126466	Blade Adapter	61	715078	Locknut $\frac{1}{4}$ -20 Flange Whiz
27	133371	Torsion Spring - Catcher Latch	62	451492	Nut $\frac{3}{8}$ -16 Top Lock
28	143115	Decal - C.P.S.C. Danger	63	715292	Bolt - Hex Head $\frac{1}{4}$ -20 x 1
29	002451	Decal - Door Caution	64	715300	Washer 1/4"
30	001461	Decal - Blade Warning	65	715508	Locknut 1/4-20 Top
31	144899	Decal - Starting Instructions	66	110833	Cover - Spark Plug
32	150011	Bolt - Carriage $\frac{1}{4}$ -20x $\frac{3}{8}$ Gr.5	67	715607	Washer - Belleville
33	157420	Bolt - Wheel, Front	68	153874	Bolt - $\frac{1}{4}$ -20 x 2 $\frac{1}{4}$ Hex
34	150201	Washer - Curved 5/16	69	156919	Lockwasher - $\frac{3}{8}$
35	150276	Woodruff Key No. 6	70	156877	Washer - $\frac{3}{8}$ Hardened

NOTE: PARTS ARE RIGHT OR LEFT HAND AS VIEWED FROM THE OPERATOR POSITION.
 APPROXIMATE CUTTING HEIGHTS 1 $\frac{1}{8}$ " TO 3 $\frac{1}{8}$ ".
 SPECIFICATIONS SUBJECT TO CHANGE WITHOUT PRIOR NOTICE.



Grass Catcher Assy. Instructions 21" Rear Bagging Rotary Mowers



INDEX NO.	PART NO.	DESCRIPTION
1	102640	CATCHER HOOP
2	096578	CATCHER FRAME
3	151464	CONNECTOR
4	160655	CATCHER BAG

Index No.	Part No.	Description
1	096578	Frame-Catcher
2	097188	Handle-Catcher
3	102640	Hoop-Catcher
4	112532	Catcher- Top
5	160895	Catcher-Bottom
6	151464	Connector
7	135491	Latch
8	452318	Nut #10-24 Nylock
9	459370	Screw #10-24x1 1/2 Round Hd.
10	715136	Washer #10 Flat

⚠ DANGER Do not attempt to attach or remove grass catcher while engine/blade is turning.

⚠ WARNING Do not operate the mower unless the entire grass catcher is in place.

⚠ WARNING Under normal usage grass catcher bag material is subject to deterioration and wear and should be checked frequently. Be sure that any replacement bag complies with manufacturer's specifications.