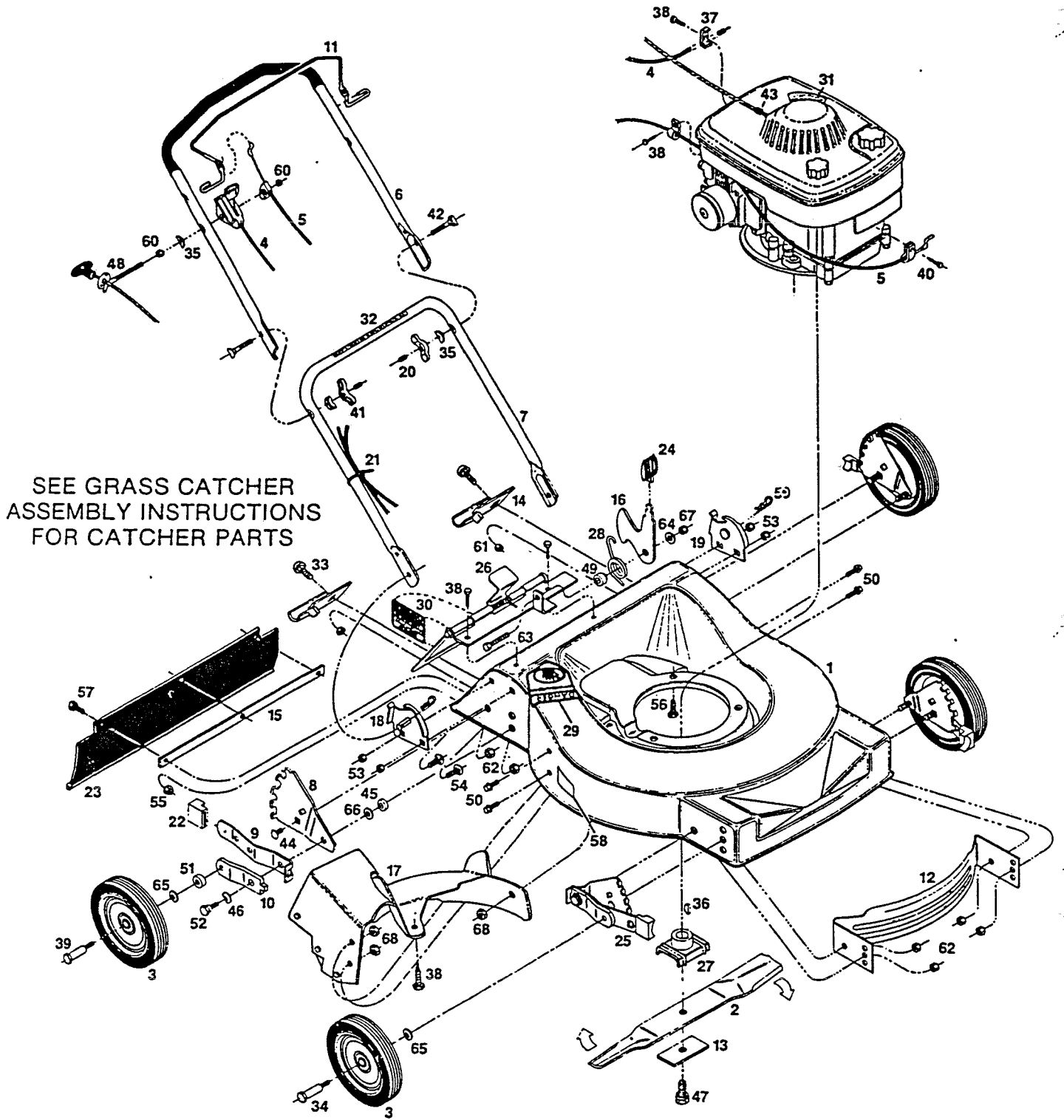


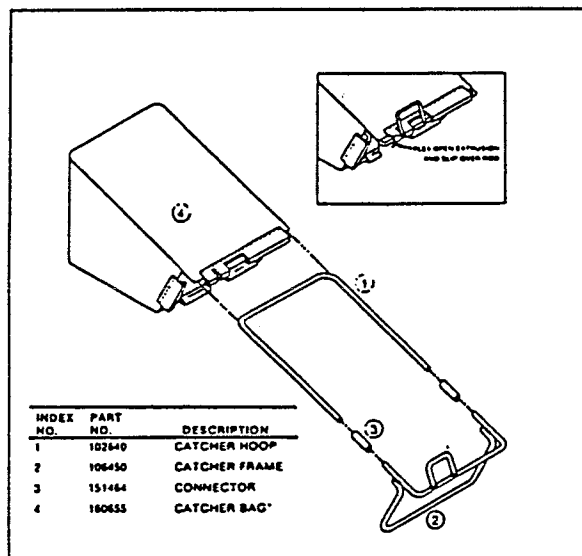
Model 82D
21" Deluxe Rear Bagging Rotary Mower



226001

Model 82D 21" Deluxe Rear Bagging Rotary Mower

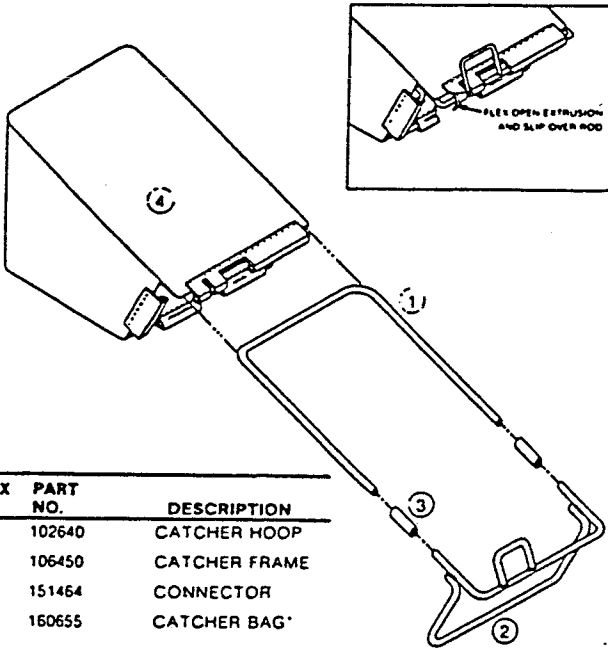
Index No.	Part No.	Description	Index No.	Part No.	Description
1	028951	Deck 21"	40	151613	Bolt - Hex Head SEMS 10-32x $\frac{3}{4}$
2	030338	Blade 21" Offset	41	151795	Wing Nut 5/16-18
3	041111	Wheel 8 x 1.75	42	151936	Bolt - Curved Head Crg 5/16-18x2 $\frac{1}{2}$
4	050898	Control - Throttle w/Cable	43	152074	Rope Stop
5	050989	Cable - Engine/Blade Control*	44	152405	Bolt - Carriage $\frac{3}{4}$ -16 x $\frac{3}{4}$
6	071159	Handle Upper	45	152413	Washer-Plastic-Height Adjuster
7	071449	Handle Lower	46	152421	Washer-Spring-Height Adjuster
8	090589	Back Plate - Height Adjuster	47	152496	Bolt - Blade $\frac{3}{4}$ -24x1
9	090613	Setting Lever - Height Adjuster	48	152629	Eyebolt - Rope Guide
10	090712	Wheel Lever - Height Adjuster	49	152637	Spacer - Catcher Latch
11	107912	Ball - Engine/Blade Control*	50	152660	Bolt - Hex Washer Head $\frac{1}{4}$ -20 x $\frac{1}{2}$
12	105825	Baffle - Front	51	152686	Spacer - Rear Wheel
13	106005	Blade Washer	52	153643	Shoulder Bolt - Height Adjuster
14	106930	Catcher Frame Bracket	53	310151	Locknut - 5/16 - 18 Nylock
15	107151	Trailing Shield Mounting Strip*	54	313510	Bolt - Carriage 5/16-18 x $\frac{3}{4}$
16	108324	Catcher Latch	55	452318	Nut - #10-24 Hex Nylon Insert
17	127191	Baffle Assembly	56	457168	Bolt - $\frac{3}{4}$ -16x $\frac{3}{4}$ Thread Forming
18	106807	Handle Bracket - Right Hand	57	458687	Bolt - Hex Head #10-24 x $\frac{1}{2}$
19	106815	Handle Bracket - Left Hand	58	714170	Decal - Model Number
20	110064	Bolt Cap - Plastic	59	715011	Hairpin Cotter
21	110379	Cable Tie	60	715037	Locknut $\frac{1}{4}$ -20 Keps
22	111260	Plastic Tip - Height Adjuster	61	715078	Nut - $\frac{1}{4}$ -20 Flange Whiz
23	111625	Trailing Shield - Plastic*	62	715086	Locknut $\frac{3}{4}$ -16 Top
24	111724	Knob - Catcher Latch	63	715292	Bolt - Hex $\frac{1}{4}$ -20 x 1
25	126367	Height Adjuster Assembly	64	715300	Washer 1/4"
26	126839	Door Assembly*	65	715607	Washer - Belleville
27	126466	Blade Adapter	66	715417	Washer - 3/8 SAE
28	133371	Torsion Spring - Catcher Latch	67	715508	Locknut 1/4-20 Top
29	143115	Decal - Danger*	68	451419	Locknut $\frac{1}{4}$ -20 Flanged Top
30	144162	Decal - Door Caution*			
31	149468	Decal - Blade Warning*			
32	144899	Decal - Starting Instructions			
33	150011	Bolt - Carriage $\frac{1}{4}$ -20x $\frac{3}{4}$ Gr.5			
34	150060	Shoulder Bolt - Wheel Front			
35	150201	Washer - Curved 5/16			
36	150276	Woodruff Key No. 6			
37	150318	Cable Clamp			
38	150623	Screw-Hex Head Sheet Metal #10x $\frac{3}{4}$			
39	150730	Shoulder Bolt - Wheel Rear			



NOTE: PARTS ARE RIGHT OR LEFT HAND AS VIEWED FROM THE OPERATOR POSITION.

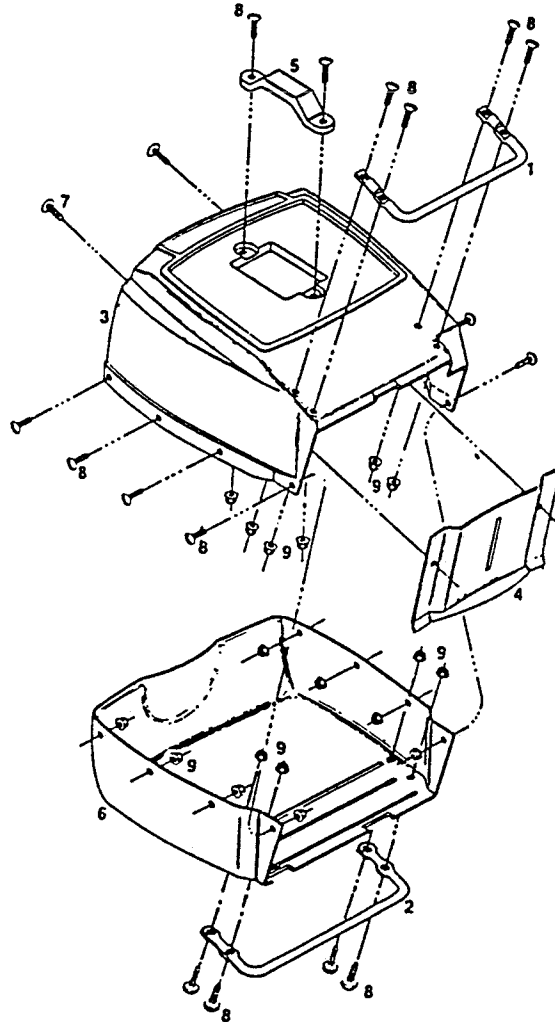
Rear Bagging Catcher Parts

Model 81D Grass Catcher



INDEX NO.	PART NO.	DESCRIPTION
1	102640	CATCHER HOOP
2	106450	CATCHER FRAME
3	151464	CONNECTOR
4	160655	CATCHER BAG

Models 82D, 86D, 87D Grass Catcher



Index No.	Part No.	Description
1	028464	Upper catcher frame
2	028910	Lower catcher frame
3	111302	Catcher top
4	111328	Catcher baffle
5	111351	Catcher handle
6	111641	Catcher bottom
7	152694	Plastic push fastener
8	152652	Screw-slotted truss head 1/4-20 x 3/8
9	715078	Locknut 1/4-20 flanged whiz