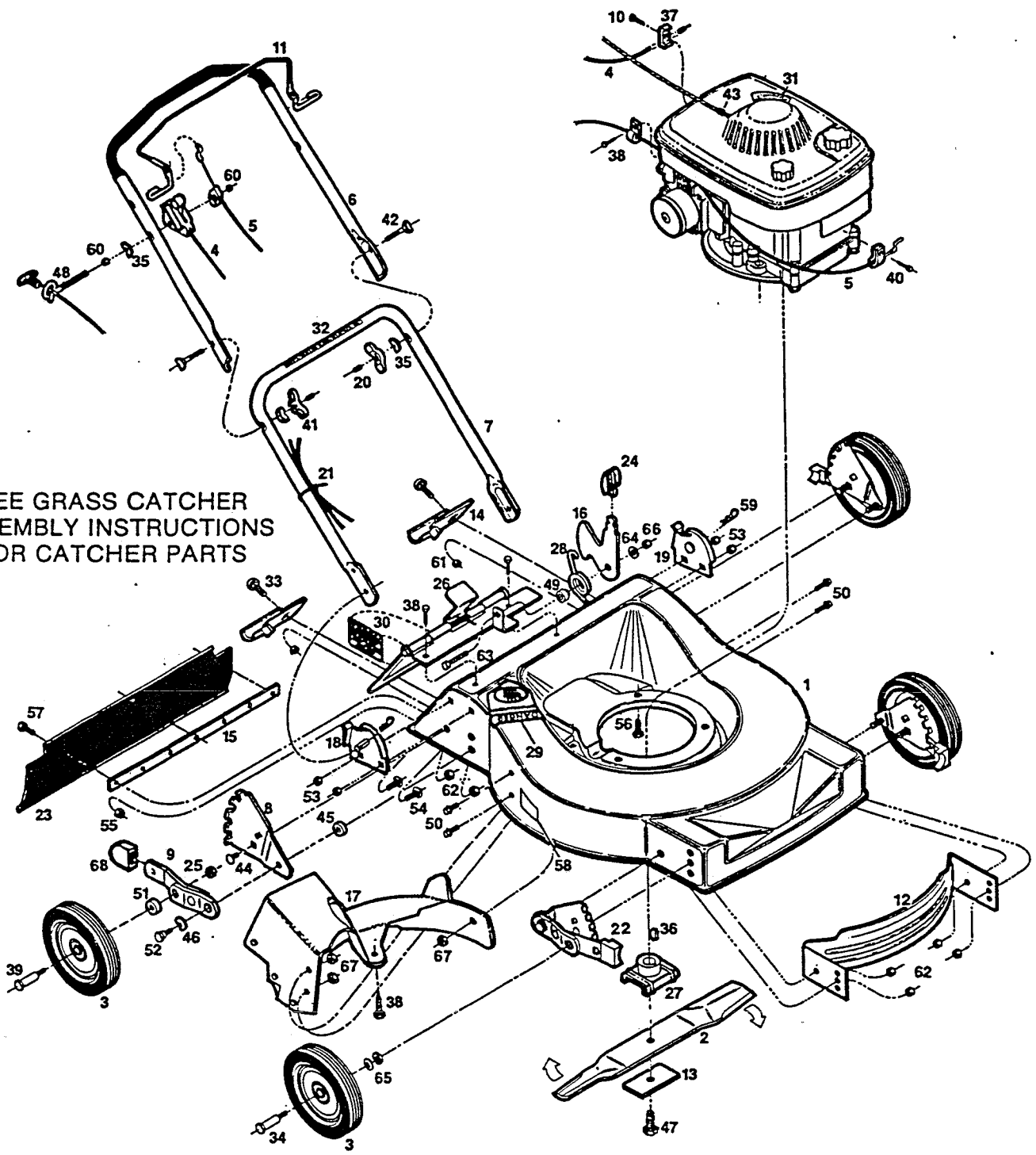


Model 82E
21" Deluxe Rear Bagging
Rotary Mower

SEE GRASS CATCHER
ASSEMBLY INSTRUCTIONS
FOR CATCHER PARTS



227090

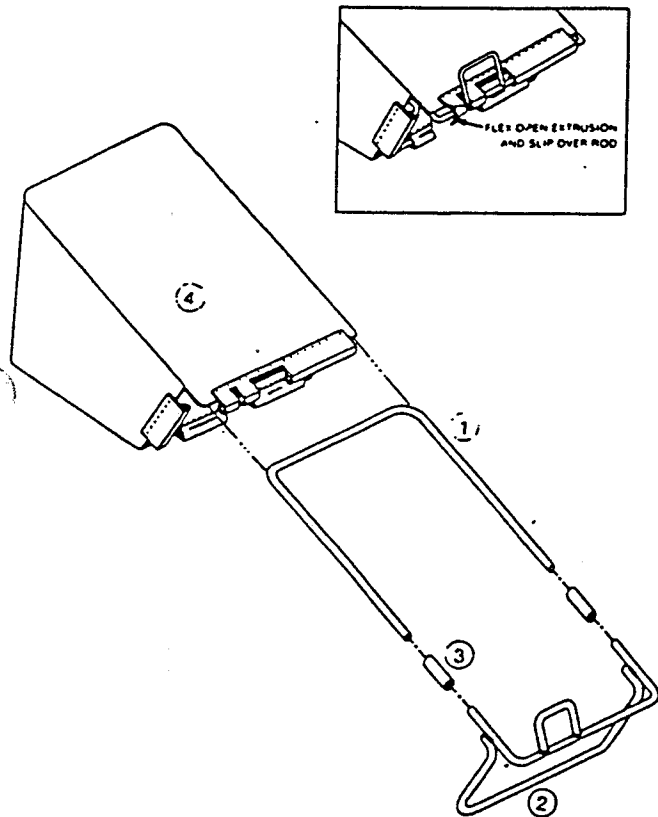
MODEL 82E

Index Part			Index Part		
No.	No.	Description	No.	No.	Description
1	028951	Deck 21"	35	150201	Washer - Curved 5/16
2	030338	Blade 21" Offset	36	150276	Woodruff Key No. 6
3	041392	Wheel 8 x 1.75	37	155598	Cable Clamp
4	051243	Control - Throttle w/Cable	38	150623	Screw-Hex Head Sheet Metal #10x $\frac{3}{8}$
5	050989	Cable - Engine/Blade Control*	39	156133	Shoulder Bolt - Wheel Rear
6	071159	Handle Upper	40	151613	Bolt - Hex Head SEMS 10-32x $\frac{3}{8}$
7	071449	Handle Lower	41	151795	Wing Nut 5/16-18
8	090589	Back Plate - Height Adjuster	42	151936	Bolt - Curved Head Crg 5/16-18x2 $\frac{1}{4}$
9	091033	Wheel Arm Assembly	43	152074	Rope Stop
10	155606	Screw - Casing #10-24 x 5/8	44	152405	Bolt - Carriage $\frac{3}{8}$ -16 x $\frac{3}{4}$
11	109298	Bail - Engine/Blade Control*	45	156182	Washer-Plastic-Height Adjuster
12	105825	Baffle - Front	46	152421	Washer-Spring-Height Adjuster.
13	106005	Blade Washer	47	150862	Bolt - Blade $\frac{3}{8}$ -24x1
14	109546	Catcher Frame Bracket	48	152629	Eyebolt - Rope Guide
15	109496	Trailing Shield Mounting Strip*	49	152637	Spacer - Catcher Latch
16	108324	Catcher Latch	50	152660	Bolt - Hex Washer Head $\frac{1}{4}$ -20 x $\frac{1}{2}$
17	127191	Baffle Assembly	51	152686	Spacer - Rear Wheel
18	106807	Handle Bracket - Right Hand	52	156125	Shoulder Bolt - Height Adjuster
19	106815	Handle Bracket - Left Hand	53	310151	Locknut - 5/16 - 18 Nylock
20	110064	Bolt Cap - Plastic	54	313510	Bolt - Carriage 5/16-18 x $\frac{3}{4}$
21	110379	Cable Tie	55	452318	Nut - #10-24 Hex Nylon Insert
22	111260	Plastic Tip - Height Adjuster	56	457168	Bolt - $\frac{3}{8}$ -16x $\frac{3}{4}$ Thread Forming
23	111625	Trailing Shield - Plastic*	57	458687	Bolt - Hex Head #10-24 x $\frac{1}{2}$
24	111724	Knob - Catcher Latch	58	714170	Decal - Model Number
25	715524	Nut - 3/8-16 Lock	59	715011	Hairpin Cotter
26	126839	Door Assembly*	60	715037	Locknut $\frac{1}{4}$ -20 Keps
27	126466	Blade Adapter	61	715078	Nut - $\frac{1}{4}$ -20 Flange Whiz
28	133371	Torsion Spring - Catcher Latch	62	715086	Locknut $\frac{3}{8}$ -16 Top
29	143115	Decal - Danger*	63	715292	Bolt - Head $\frac{1}{4}$ -20 x 1
30	144162	Decal - Door Caution*	64	715300	Washer 1/4"
31	001206	Decal - Blade Warning*	65	156877	Washer - 3/8
32	144899	Decal - Starting Instructions	66	715508	Locknut 1/4-20 Top
33	150011	Bolt - Carriage $\frac{1}{4}$ -20x $\frac{3}{8}$ Gr.5	67	451419	Locknut $\frac{1}{4}$ -20 Flanged Top
34	150730	Shoulder Bolt - Wheel Front	68	110510	Plastic Tip - Height Adjuster

NOTE: PARTS ARE RIGHT OR LEFT HAND AS VIEWED FROM THE OPERATOR POSITION.
APPROXIMATE CUTTING HEIGHTS 1 $\frac{1}{2}$ " TO 3 $\frac{1}{2}$ ".

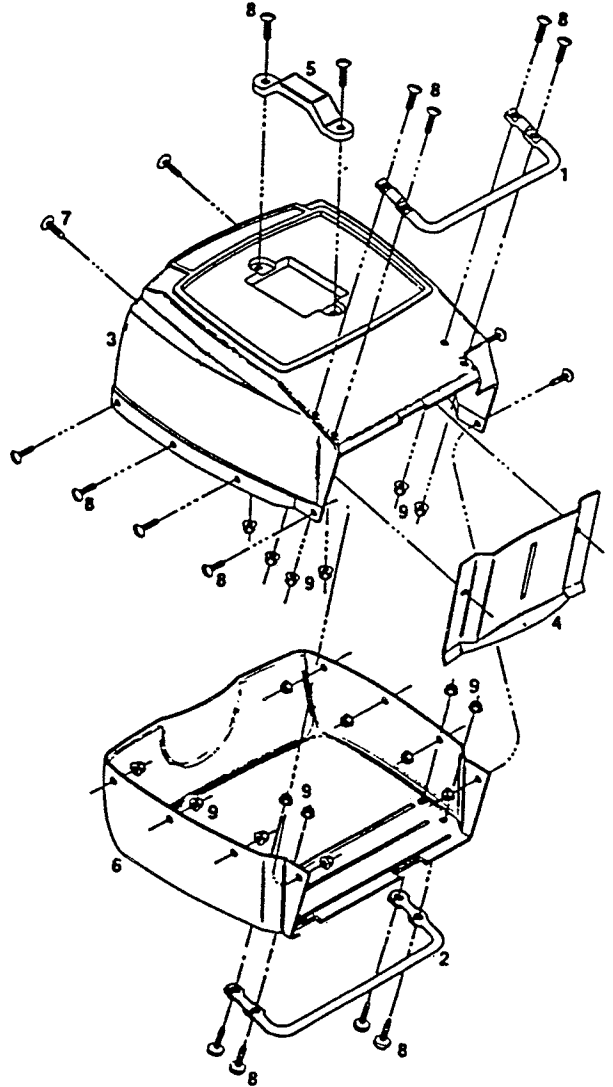
REAR BAGGING CATCHER PARTS

Model 81E GRASS CATCHER



INDEX NO.	PART NO.	DESCRIPTION
1	102640	CATCHER HOOP
2	106450	CATCHER FRAME
3	151464	CONNECTOR
4	160655	CATCHER BAG

Models 82E, 86E, 87E GRASS CATCHER



Index No.	Part No.	Description
1	028464	Upper catcher frame
2	028910	Lower catcher frame
3	111302	Catcher top
4	111328	Catcher baffle
5	111351	Catcher handle
6	111641	Catcher bottom
7	152694	Plastic push faste.
8	152652	Screw-slotted truss head 1/4-20 x 3/8
9	715078	Locknut 1/4-20 flanged whiz