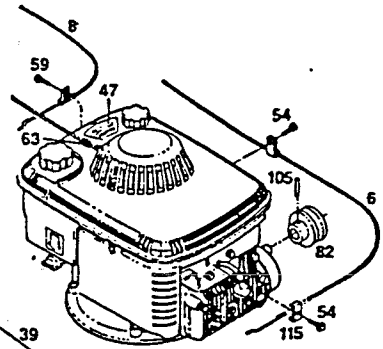
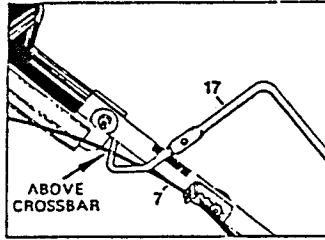
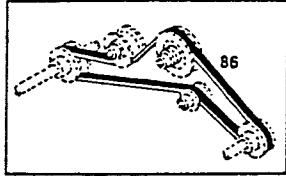
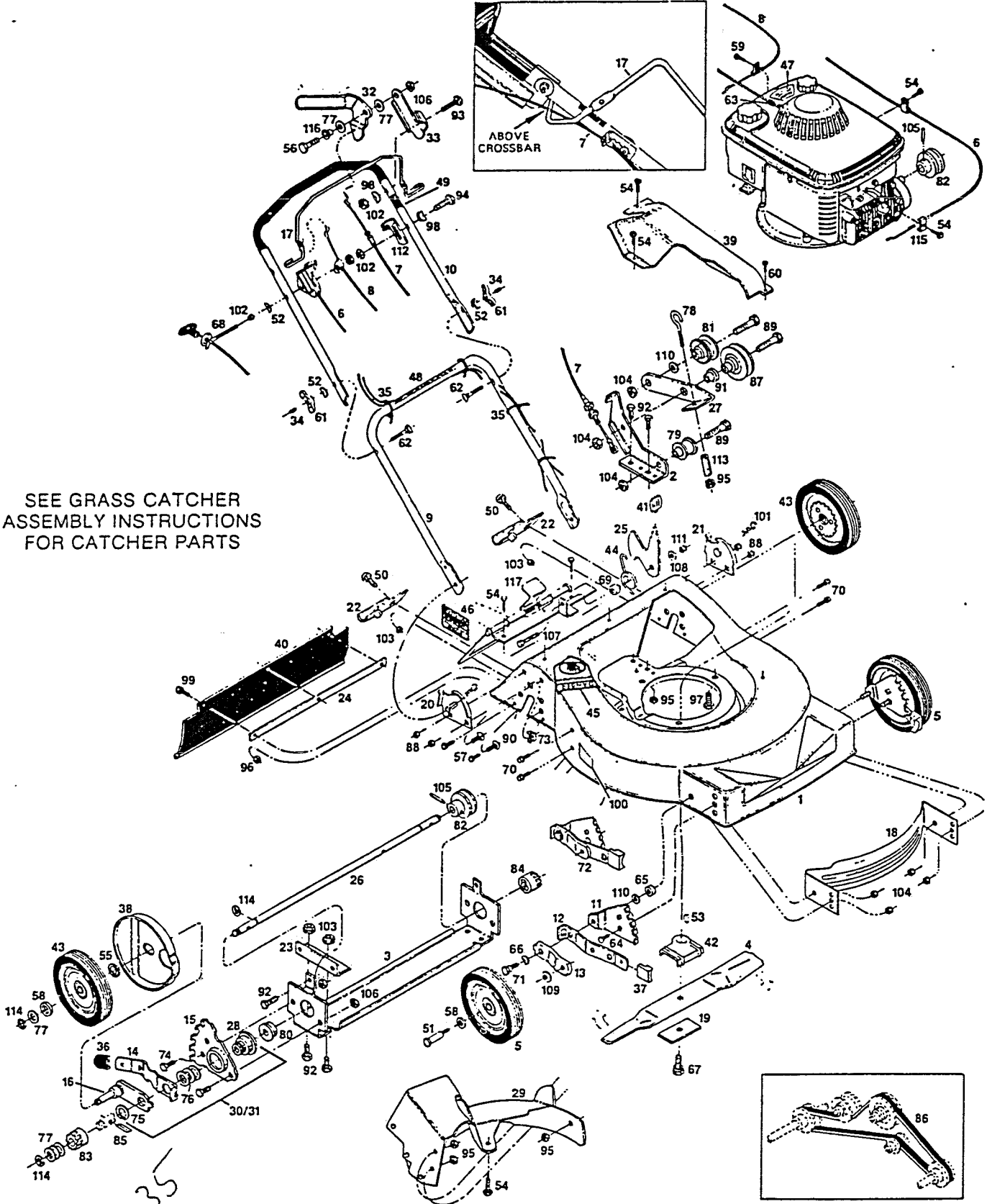


Model 86D 21" Rear Bagging Self-Propelled Mower



SEE GRASS CATCHER
ASSEMBLY INSTRUCTIONS
FOR CATCHER PARTS



Model 86D

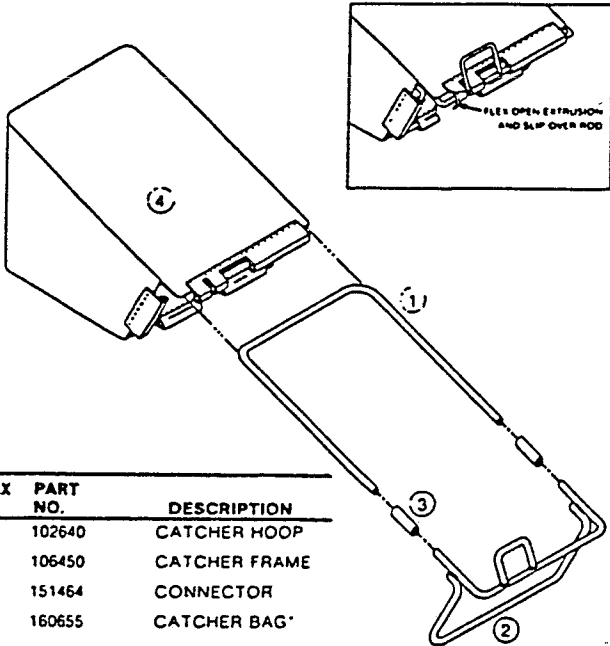
21" Rear Bagging Self-Propelled Mower

Index No.	Part No.	Description	Index No.	Part No.	Description
1	029264	Deck	59	151613	Bolt - hex head sems #10-32 x 3/4
2	029298	Bracket - idler mount	60	151621	Screw - self drilling #6-20 x 1/2
3	024174	Drive support bracket	61	151795	Wing nut 5/16-18
4	030338	Blade 21" offset	62	151936	Curved head bolt 5/16 - 18 x 2.25
5	041111	Wheel 8" x 1.75 front	63	152074	Rope stop
6	050716	Throttle control w/cable	64	152405	Bolt - carriage 3/8-16 x 3/4
7	050831	Cable - S.P. control	65	152413	Washer - plastic 3/4 x 11/32 x .095
8	050997	Cable - engine/blade control*	66	152421	Washer - spring
9	071449	Handle - lower	67	152496	Bolt - blade - sems
10	071738	Handle - upper	68	152629	Eyebolt - Rope guide
11	090589	Back plate - front	69	152637	Spacer - bagger latch
12	090613	Setting lever - front	70	152660	Bolt - hex washer HD. 1/4-20 x 1/2
13	090712	Wheel lever - front	71	153643	Bolt - shoulder
14	090746	Setting lever - rear	72	128686	Height Adjuster Assembly - front
15	090761	Back plate - rear	73	154450	Nut - Snap in 1/4 - 20
	090910	Wheel lever - rear LH	74	153817	Bolt - hex head 3/8-16 x 1/2
16	090894	Wheel lever - rear RH	75	153841	Snapping 3/4
17	107912	Bail - engine/blade control*	76	153858	Spring washer 3/4
18	105825	Baffle - front	77	152553	Thrust washer 1/2" I.D.
19	106005	Blade washer	78	153908	Bolt - Hook
20	106807	Handle bracket - R.H.	79	170456	Pulley - 3/4" bore
21	106815	Handle bracket - L.H.	80	170464	Bearing - flange ball
22	106930	Catcher hook	81	170530	Pulley - ext hub 3/4" - bore
23	107128	Drive support mtg. brkt.	82	170670	Pulley - drive 1/2" bore
24	107151	Backing strip	83	170993	Pinion - ratchet R.H.
25	108324	Latch - rear bagger	84	170985	Pinion - ratchet L.H.
26	108357	Drive shaft	85	170811	Drive pawl
27	107193	Idler arm	86	170829	V-belt 37.5
28	108647	Stepped sleeve	87	170878	Idler - pulley
29	127191	Baffle Assembly	88	310151	Nut - nylon insert - 5/16 - 18
30	128157	Height Adjuster Assembly rear LH	89	312322	Bolt - hex hd. 3/8-16 x 1.75
31	128165	Height Adjuster Assembly rear RH	90	313510	Bolt hex hd 5/16-18 x 3/4
32	107482	Lever - ground drive control	91	326348	Shouldered spacer
33	107508	Actuator bracket	92	449587	Bolt hex hd 1/4-20 x 3/4
34	110064	Plastic - bolt cap	93	450072	Bolt hex hd 1/4-20 x 1 1/2
35	110379	Cable tie	94	450353	Bolt - hex hd. 1/4-20 x 1 1/4
36	110510	Plastic tip - rear adjuster	95	451419	Nut - TL flange 1/4-20
37	111260	Plastic tip - front adjuster	96	452318	Nut - hex nylon insert #10-24
38	111872	Dust cover - wheel	97	457168	Bolt - thread form 3/8-16 x 3/4
39	111518	Belt cover	98	461004	Washer - curved 3/4 - 1/4 I.D.
40	111633	Vinyl trailing shield*	99	458687	Bolt - hex #10-24 x 1/2
41	111724	Knob - catcher latch	100	714170	Decal - Model Number
42	126466	Blade adapter	101	715011	Hairpin Cotter
43	128140	Wheel - rear, w/gear	102	715037	Nut - keps 1/4 - 20
44	133371	Torsion spring - catcher latch	103	715078	Nut - flange whiz 1/4 - 20
45	143115	Decal - Danger*	104	715086	Locknut - hex - 3/8 - 16
46	144162	Decal - door caution*	105	715193	Roll pin 3/16 x 1
47	149468	Decal - blade warning*	106	715524	Nut - hex 3/8 - 16 Jam
48	144899	Decal - starting instructions	107	715292	Bolt hex head 1/4 - 20 x 1
49	146761	Decal - drive control instructions	108	715300	Washer - flat 1/4"
50	150011	Carriage bolt - 1/4-20 x 3/4	109	715607	Washer - belleville 3/4
51	150730	Wheel bolt - front	110	715417	Washer - 3/4
52	150201	Curved washer - 5/16	111	715508	Nut top lock - 1/4 - 20
53	150276	Woodruff key #6	112	772616	Bracket - cable mtg.
54	150623	Bolt - slotted hex #10 x 3/4	113	468801	Sleeve - idler cable
55	790451	Ring - retainer	114	789883	E-ring
56	150904	Bolt - hex head - 3/8-16 x 3/4	115	150318	Cable clamp
57	153601	Self tap screw 1/4-20 x 3/4	116	170886	Shouldered spacer
58	151449	Washer - wheel retaining	117	127167	Door assembly*

NOTE: PARTS ARE RIGHT OR LEFT HAND AS VIEWED FROM THE OPERATOR POSITION.

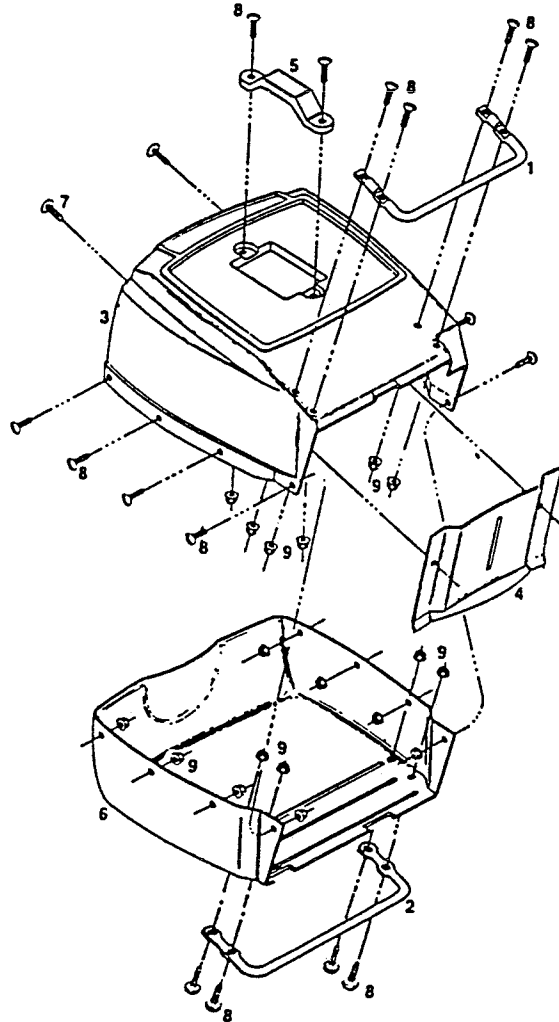
Rear Bagging Catcher Parts

Model 81D Grass Catcher



INDEX NO.	PART NO.	DESCRIPTION
1	102640	CATCHER HOOP
2	106450	CATCHER FRAME
3	151464	CONNECTOR
4	160655	CATCHER BAG*

Models 82D, 86D, 87D Grass Catcher



Index No.	Part No.	Description
1	028464	Upper catcher frame
2	028910	Lower catcher frame
3	111302	Catcher top
4	111328	Catcher baffle
5	111351	Catcher handle
6	111641	Catcher bottom
7	152694	Plastic push fastener
8	152652	Screw-slotted truss head 1/4-20 x 3/8
9	715078	Locknut 1/4-20 flanged whiz