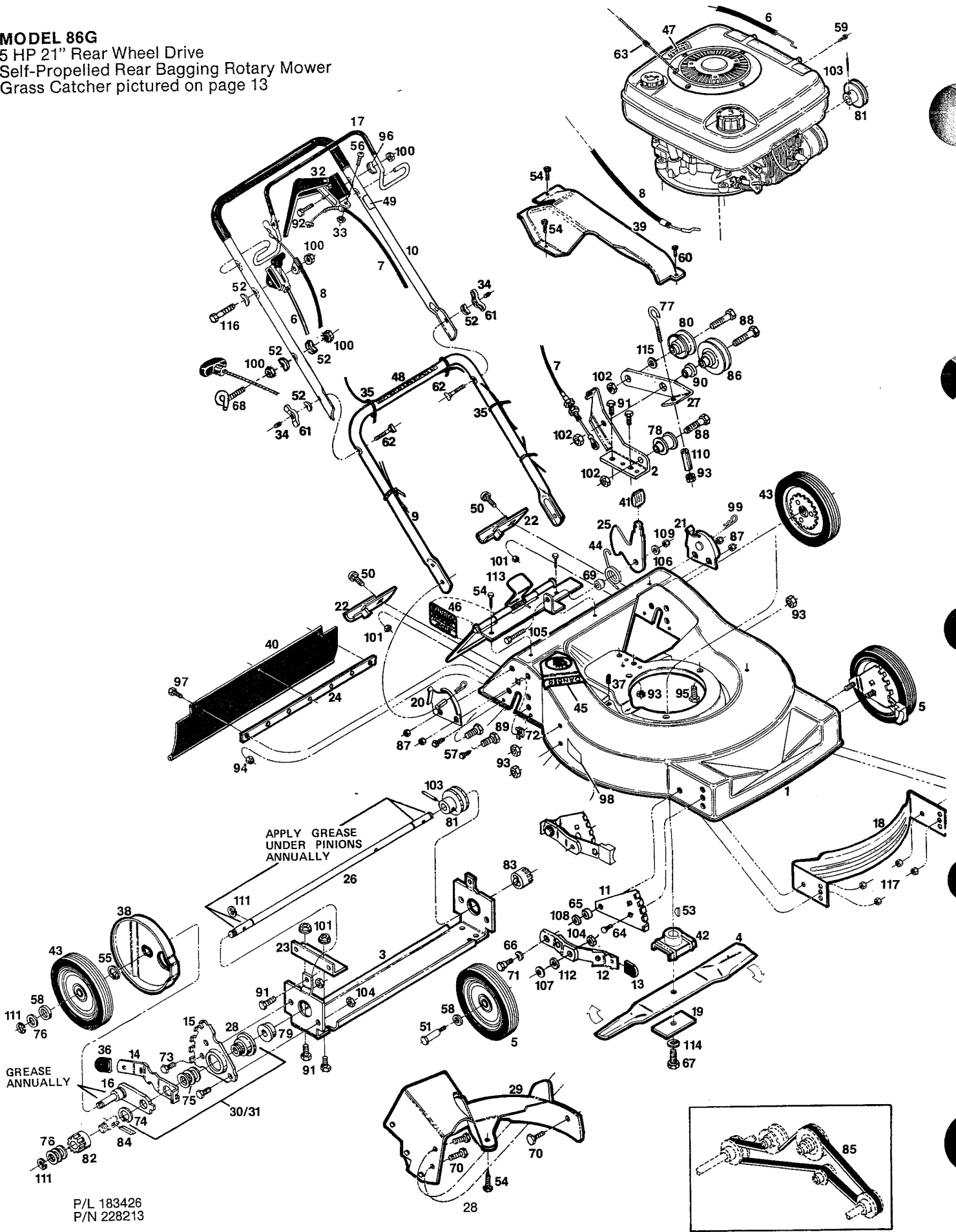


**MODEL 86G**  
 5 HP 21" Rear Wheel Drive  
 Self-Propelled Rear Bagging Rotary Mower  
 Grass Catcher pictured on page 13



**MODEL 86G**

5 HP 21" Rear Wheel Drive  
 Self-Propelled Rear Bagging Rotary Mower  
 Grass Catcher pictured on page 13

Index No.	Part No.	Description	Index No.	Part No.	Description
1	014290	Deck	59	151613	Bolt - hex head sems #10-32 x 3/8
2	029298	Bracket - idler mount	60	151621	Screw - self drilling #6-20 x 1/2
3	024174	Drive support bracket	61	151795	Wing nut 5/16-18
4	030338	Blade 21" offset	62	151936	Curved head bolt 5/16 - 18 x 2.25
5	041111	Wheel 8" x 1.75 front	63	152074	Rope stop
6	051276	Throttle control w/cable	64	152405	Bolt - carriage 3/8-16 x 3/4
7	050955	Cable - S.P. control	65	156182	Washer - plastic 3/4 x 11/32 x .095
8	051573	Cable - engine/blade control	66	152421	Washer - spring
9	071449	Handle - lower	67	157255	Bolt - blade
10	072256	Handle - upper	68	152371	Eyebolt - Rope guide
11	091249	Back plate - front	69	152637	Spacer - bagger latch
12	091033	Wheel arm assembly	70	156851	Bolt - 1/4-20 x 3/8 SHVD HD
13	112540	Plastic tip height adj. fr.	71	156125	Bolt - shoulder
14	090746	Setting lever - rear	72	154393	Nut - Snap in 1/4 - 20
15	090761	Back plate - rear	73	153817	Bolt - hex head 3/8-16 x 1/2
16	090894	Wheel lever - rear RH	74	153841	Snapring 3/8
	090910	Wheel lever - rear LH	75	153858	Spring washer 3/8
17	109124	Bail - engine/blade control	76	152553	Thrust washer 1/2" I.D.
18	105825	Baffle - front	77	153908	Bolt - Hook
19	106005	Blade washer	78	170456	Pulley - 3/8" bore
20	097162	Handle bracket - R.H.	79	170464	Bearing - flange ball
21	097170	Handle bracket - L.H.	80	170530	Pulley - ext hub 3/8" - bore
22	109546	Catcher hook	81	170670	Pulley - drive 1/2" bore
23	107128	Drive support mtg. brkt.	82	170993	Pinion - ratchet R.H.
24	109496	Backing strip	83	170985	Pinion - ratchet L.H.
25	108324	Latch - rear bagger	84	170811	Drive pawl
26	108357	Drive shaft	85	170829	V-belt 3L 37.5
27	107193	Idler arm	86	170878	Idler - pulley
28	109082	Stepped sleeve	87	310151	Nut - nylon insert - 5/16 - 18
29	127191	Baffle Assembly	88	312322	Bolt - hex hd. 3/8-16 x 1.75
30	128926	Height Adjuster Assembly rear LH	89	450346	Bolt - 5/16-18 x 3/4
31	128918	Height Adjuster Assembly rear RH	90	326348	Shouldered spacer
32	111575	Lever - ground drive control	91	449587	Bolt hex hd 1/4-20 x 3/8
33	151894	Nut - Hex #8-32 Nylock	92	450072	Bolt hex hd 1/4-20 x 1 1/2
34	110064	Plastic - bolt cap	93	451419	Nut - TL flange 1/4-20
35	110379	Cable tie	94	452318	Nut - hex nylon insert #10-24
36	110510	Plastic tip - height adjuster - rear	95	457168	Bolt - thread form 3/8-16 x 3/8
37	111856	Cap - bolt	96	461004	Washer - curved 3/8 - 1/4 I.D.
38	112037	Dust cover - wheel	97	458687	Bolt - hex #10-24 x 1/2
39	112144	Belt cover	98	714170	Decal - Model Number
40	111633	Vinyl trailing shield	99	715011	Hairpin Cotter
41	111724	Knob - catcher latch	100	715037	Nut - keps 1/4 - 20
42	126466	Blade adapter	101	715078	Nut - flange whiz 1/4 - 20
43	128140	Wheel - rear, w/gear	102	715086	Locknut - hex - 3/8 - 16
44	133371	Torsion spring - catcher latch	103	715193	Roll pin 3/16 x 1
45	143115	Decal - Danger	104	715524	Nut - hex 3/8 - 16 Jam
46	002451	Decal - door caution	105	715292	Bolt hex head 1/4 - 20 x 1
47	001206	Decal - blade warning	106	715300	Washer - flat 1/4"
48	144899	Decal - starting instructions	107	715607	Washer - belleville 3/8
49	141507	Decal - drive control instructions	108	156877	Washer - 3/8 hardened
50	150011	Carriage bolt - 1/4-20 x 3/8	109	715508	Nut top lock - 1/4 - 20
51	150730	Wheel bolt - front	110	468801	Sleeve - idler cable
52	150201	Curved washer - 5/16	111	789883	E-ring
53	150276	Woodruff key #6	112	715417	Washer 3/8
54	150623	Bolt - slotted hex #10 x 3/8	113	013706	Door assembly
55	790451	Ring - retainer	114	156919	Lockwasher - 3/8 hd. split
56	459065	Screw - Pan Head #8-32 x 3/8	115	150771	Washer - flat
57	153601	Self tap screw 1/4-20 x 3/4	116	153874	Bolt - 1/4-20 x 2 1/4
58	151449	Washer - wheel retaining	117	451492	Nut - 3/8-16 Top Lock Flange

NOTE: PARTS ARE RIGHT OR LEFT HAND AS VIEWED FROM THE OPERATOR POSITION.  
 SPECIFICATIONS SUBJECT TO CHANGE WITHOUT PRIOR NOTICE.