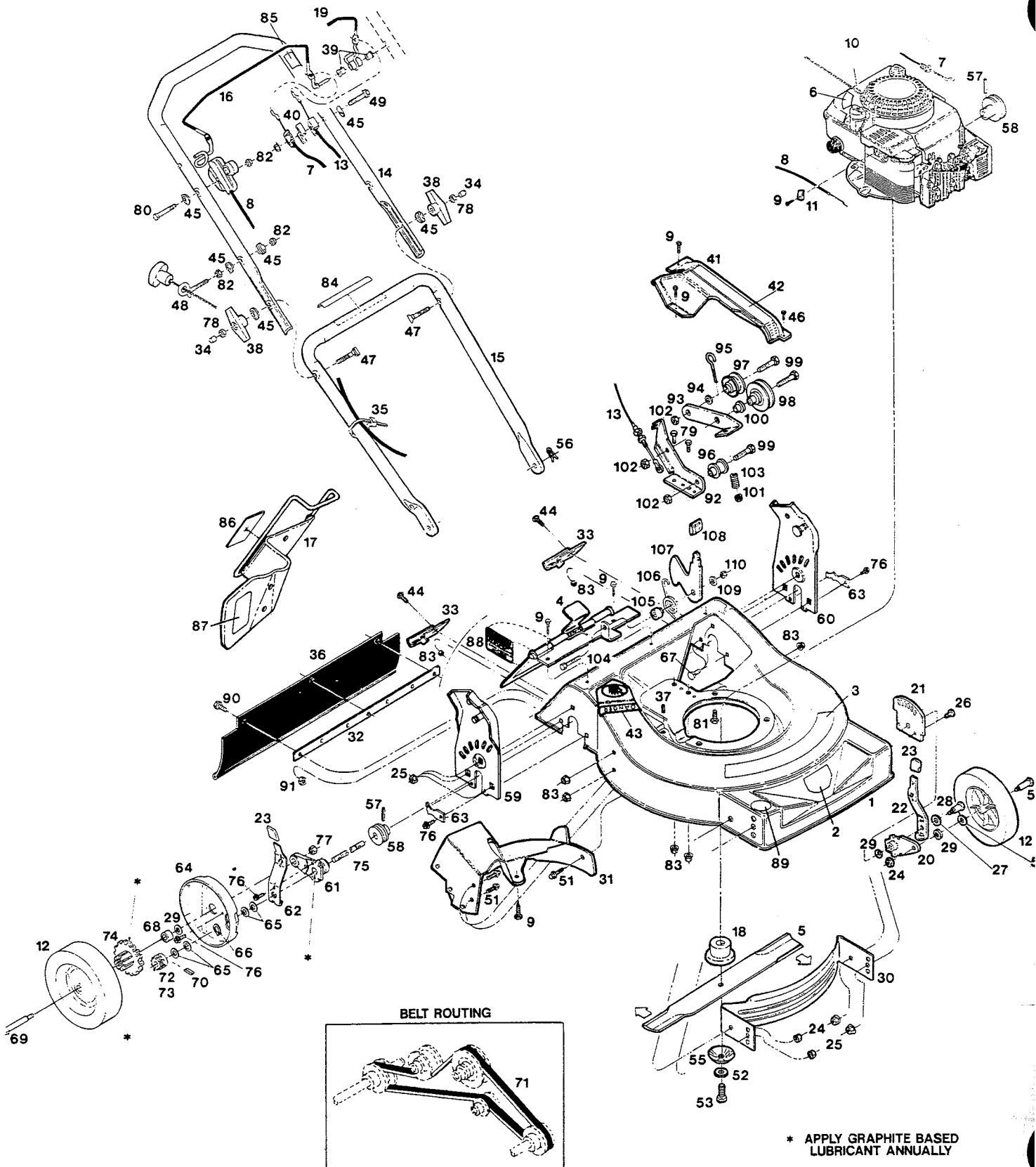


**MODEL 86L**  
**5 H.P. 21" Rear-Bagging Self-Propelled Rotary Mower**  
**Uses Grass Catcher Model HTRBGB**  
**Grass Catcher (Included) P/N 160911**  
**Repl. Bag P/N 161034**  
**See p. 61**



S/N 231548  
P/L 798405  
O/M 798066  
E/M 189142

**MODEL 86L**  
**5 H.P. 21" Rear-Bagging Self-Propelled Rotary Mower**  
**Uses Grass Catcher Model HTRBGB**  
**Grass Catcher (Included) P/N 160911**  
**Repl. Bag P/N 161034**  
**See p. 61**

Index No.	Part No.	Description	Index No.	Part No.	Description
1	023184	Deck - 21" red	56	164913	Hitch pin
2	001362	Decal - LC 86	57	166603	Pin - 3/16 x 1" spiral
3	001446	Decal - 21"	58	171918	Pulley - 1-7/8" 3L
4	013706	Door assembly	59	093294	Back plate - rear R.H.
5	031377	Blade - 21"	60	093302	Back plate - rear L.H.
6	001206	Decal - blade warning	61	093310	Wheel arm - drive
7	052852	Cable - engine/blade control	62	093344	Lever - setting height adj - drive
8	052860	Control - throttle	63	093542	Pinion bracket
9	150623	Screw - #10-16 x 5/8" tap	64	115204	Dust cover - wheel
10	152074	Rope stop	65	152553	Washer - 1/2" flat
11	157552	Cable clamp	66	153940	E-ring
12	043166	Wheel - 8" x 1-3/4" drive	67	154088	Bolt - 5/16-18 x 1/2" carriage
13	052878	Cable - drive engagement	68	164889	Spacer - 1/2" wheel
14	073411	Handle - upper	69	164973	Shoulder bolt - wheel rear
15	073437	Handle - lower	70	170811	Drive pawl
16	073478	Bail - engine blade	71	170829	V-belt 3L
17	088211	Mulcher plate assembly	72	170985	Pinion - ratchet L.H.
18	092221	Blade adapter	73	170993	Pinion - ratchet R.H.
19	092593	Bail - ground drive	74	171942	Gear - wheel drive
20	091819	Wheel arm	75	300006	Drive shaft - 1/2"
21	092775	Back plate - height adjuster	76	457192	Screw - #10-32 x 1/2" tap
22	092817	Lever - setting height adjuster	77	715391	Nut - 3/8-16 hex
23	114462	Plastic tip - height adjuster	78	310045	Nut - 5/16-8 hex
24	156406	Nut - 3/8-16 flange lock	79	449587	Bolt - 1/4-20 x 5/8" HHCS Gr 5
25	157610	Nut - 5/16-18 flange lock	80	450379	Bolt - 1/4-20 x 1-3/4" HHCS Gr 5
26	158907	Bolt - 5/16-18 x 5/8" carriage	81	457168	Bolt - 3/8-16 x 7/8" tap
27	164020	Washer - 1/2" hardened	82	715037	Nut - 1/4-20 keps
28	164897	Shoulder bolt - height adjuster	83	715078	Nut - 1/4-20 flange lock
29	715607	Washer - 3/8" belleville	84	715557	Decal - starting instructions
30	092825	Baffle - front	85	794412	Decal - drive control
31	094965	Baffle - axle clearance ass'y	86	794735	Decal - mulcher warning
32	109496	Backing strip - trailing shield	87	794743	Decal - mulcher plate install
33	109546	Bracket - attachments	88	795039	Decal - door warning
34	110064	Bolt cap	89	799056	Decal - 3 in 1
35	110379	Cable tie	90	458687	Bolt - #10-24 x 1/2" HHCS
36	111633	Trailing shield - plastic	91	452318	Nut - #10-24 nylon insert
37	111856	Cap - plastic /	92	094951	Bracket - idler mount
38	113589	Wing knob	93	107193	Idler arm
39	115212	Bearing - nylon	94	150771	Washer - 3/8" flat
40	115337	Spacer - cable mount	95	153908	Bolt - 1/4-20 hook
41	113662	Belt cover	96	170456	Idler pulley
42	715672	Decal - belt cover	97	170530	Idler pulley - extended hub
43	143115	Decal - CPSC danger	98	170878	Pulley - 3-1/8" 3L
44	150011	Bolt - 1/4-20 x 5/8" carriage	99	312322	Bolt - 3/8-16 x 1-3/4" HHCS
45	150201	Washer - 5/16" curved	100	326348	Spacer - 3/8" idler
46	151621	Screw - #6-20 x 1/2" tap	101	451419	Nut - 1/4-20 flange lock
47	151936	Bolt - 5/16-18 x 2-1/4" curved head	102	715086	Nut - 3/8 - 16 lock
48	152371	Eyebolt - 1/4-20	103	776468	Spring - idler cable
49	153874	Bolt - 1/4-20 x 2-1/4" HHCS	104	715292	Bolt - 1/4-20 x 1" HHCS
50	156158	Shoulder bolt - wheel front	105	152637	Spacer - latch
51	156851	Bolt - 1/4-20 x 3/8" HHCS	106	133371	Torsion spring - latch
52	156877	Washer - 3/8" hardened	107	022830	Latch - attachments
53	157255	Bolt - 3/8-24 x 1-1/4" HHCS Gr 8	108	111724	Knob - latch
54	158469	Washer - 3/8" flat	109	462093	Washer - 1/4" flat
55	164681	Washer - 3/8" conical	110	715508	Nut - 1/4-20 top lock

S/N 231548  
P/L 798405  
O/M 798066  
E/M 189142