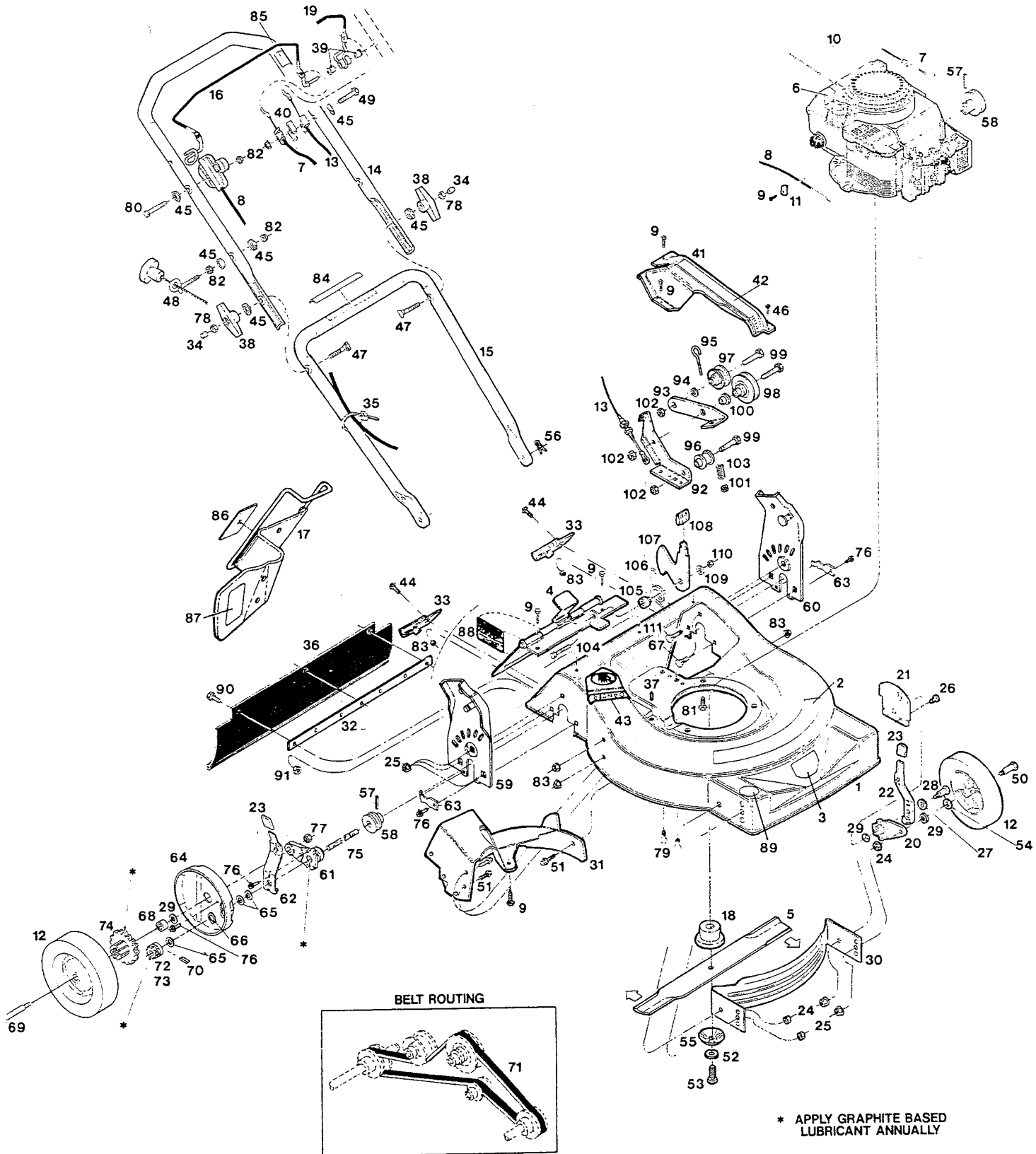


MODEL 86M
5 hp 21" Cut Self-Propelled Rear-Bagging Mower
Grass Catcher Included
 See p. 69 for Grass Catcher



S/N 239855
 P/L 082617
 O/M 082567
 E/M 082690

MODEL 86M
5 hp 21" Cut Self-Propelled Rear-Bagging Mower
Grass Catcher Included
See p. 69 for Grass Catcher

Index No.	Part No.	Description	Index No.	Part No.	Description
1	023763	Deck - 21" red	57	166603	Pin - 3/16 x 1" spiral
2	001362	Decal - LC TV	58	171918	Pulley - 1-7/8" 3L
3	001446	Decal - 21"	59	093294	Back plate - rear R.H.
4	013706	Door assembly	60	093302	Back plate - rear L.H.
5	031377	Blade - 21"	61	093310	Wheel arm - drive
6	001206	Decal - blade warning	62	095320	Lever - setting height adj - drive
7	052852	Cable - engine/blade control	63	093542	Pinion bracket
8	053069	Control - throttle	64	115450	Dust cover - wheel
9	166640	Screw - #10-16 x 5/8" tap	65	152553	Washer - 1/2" flat
10	152074	Rope stop	66	153940	E-ring
11	157552	Cable clamp	67	154088	Bolt - 5/16-18 x 1/2" carriage
12	043166	Wheel - 8" x 1-3/4" drive	68	164889	Spacer - 1/2" wheel
13	052878	Cable - drive engagement	69	164973	Shoulder bolt - wheel rear
14	073411	Handle - upper	70	171041	Drive pawl
15	073437	Handle - lower	71	170829	V-belt 3L
16	073584	Bail - engine blade	72	093369	Pinion - ratchet L.H.
17	088211	Mulcher plate assembly	73	093351	Pinion - ratchet R.H.
18	094933	Blade adapter	74	171942	Gear - wheel drive
19	092593	Bail - ground drive	75	171967	Drive shaft - 1/2"
20	091819	Wheel arm	76	457192	Screw - #10-32 x 1/2" tap
21	092775	Back plate - height adjuster	77	715391	Nut - 3/8-16 hex
22	092817	Lever - setting height adjuster	78	310045	Nut - 5/16-8 hex
23	114462	Plastic tip - height adjuster	79	164998	Screw - 1/2 tap
24	156406	Nut - 3/8-16 flange lock	80	150433	Bolt - 1/4-20 x 2" HHCS
25	157610	Nut - 5/16-18 flange lock	81	164999	Bolt - 3/8-16 x 7/8" tap
26	158907	Bolt - 5/16-18 x 5/8" carriage	82	715037	Nut - 1/4-20 keps
27	164020	Washer - 1/2" hardened	83	799599	Nut - 1/4-20 flange lock
28	164897	Shoulder bolt - height adjuster	84	715557	Decal - starting instructions
29	715607	Washer - 3/8" belleville	85	794412	Decal - drive control
30	092825	Baffle - front	86	794735	Decal - mulcher warning
31	094965	Baffle - axle clearance ass'y	87	794743	Decal - mulcher plate install
32	109496	Backing strip - trailing shield	88	795039	Decal - door warning
33	109546	Bracket - attachments	89	799056	Decal - 3 in 1
34	110064	Bolt cap	90	458687	Bolt - #10-24 x 1/2" HHCS
35	110379	Cable tie	91	452318	Nut - #10-24 nylon insert
36	111633	Trailing shield - plastic	92	094951	Bracket - idler mount
37	111856	Cap - plastic	93	107193	Idler arm
38	113589	Wing knob	94	150771	Washer - 3/8" flat
39	588463	Bushing - nylon	95	153908	Bolt - 1/4-20 hook
40	115337	Spacer - cable mount	96	170456	Idler pulley
41	115471	Belt cover	97	170530	Idler pulley - extended hub
42	715672	Decal - belt cover	98	170878	Pulley - 3-1/8" 3L
43	143115	Decal - CPSC danger	99	312322	Bolt - 3/8-16 x 1-3/4" HHCS
44	150011	Bolt - 1/4-20 x 5/8" carriage	100	326348	Spacer - 3/8" idler
45	150201	Washer - 5/16" curved	101	451419	Nut - 1/4-20 flange lock
46	151621	Screw - #6-20 x 1/2" tap	102	715086	Nut - 3/8 - 16 lock
47	151936	Bolt - 5/16-18 x 2-1/4" curved head	103	776468	Spring - idler cable
48	152371	Eyebolt - 1/4-20	104	715292	Bolt - 1/4-20 x 1" HHCS
49	153874	Bolt - 1/4-20 x 2-1/4" HHCS	105	152637	Spacer - latch
50	166618	Shoulder bolt - wheel front	106	133371	Torsion spring - latch
51	156851	Bolt - 1/4-20 x 3/8" HHCS	107	022830	Latch - attachments
52	156877	Washer - 3/8" hardened	108	111724	Knob - latch
53	157255	Bolt - 3/8-24 x 1-1/4" HHCS Gr 8	109	462093	Washer - 1/4" flat
54	158469	Washer - 3/8" flat	110	715508	Nut - 1/4-20 top lock
55	164681	Washer - 3/8" conical	111	158907	Bolt - 5/16-18 x 5/8 carriage
56	164913	Hitch pin			

NOTE: PARTS ARE RIGHT OR LEFT HAND AS VIEWED FROM THE OPERATOR POSITION.
 SPECIFICATIONS SUBJECT TO CHANGE WITHOUT PRIOR NOTICE.

S/N 239855
 P/L 082617
 O/M 082567
 E/M 082690