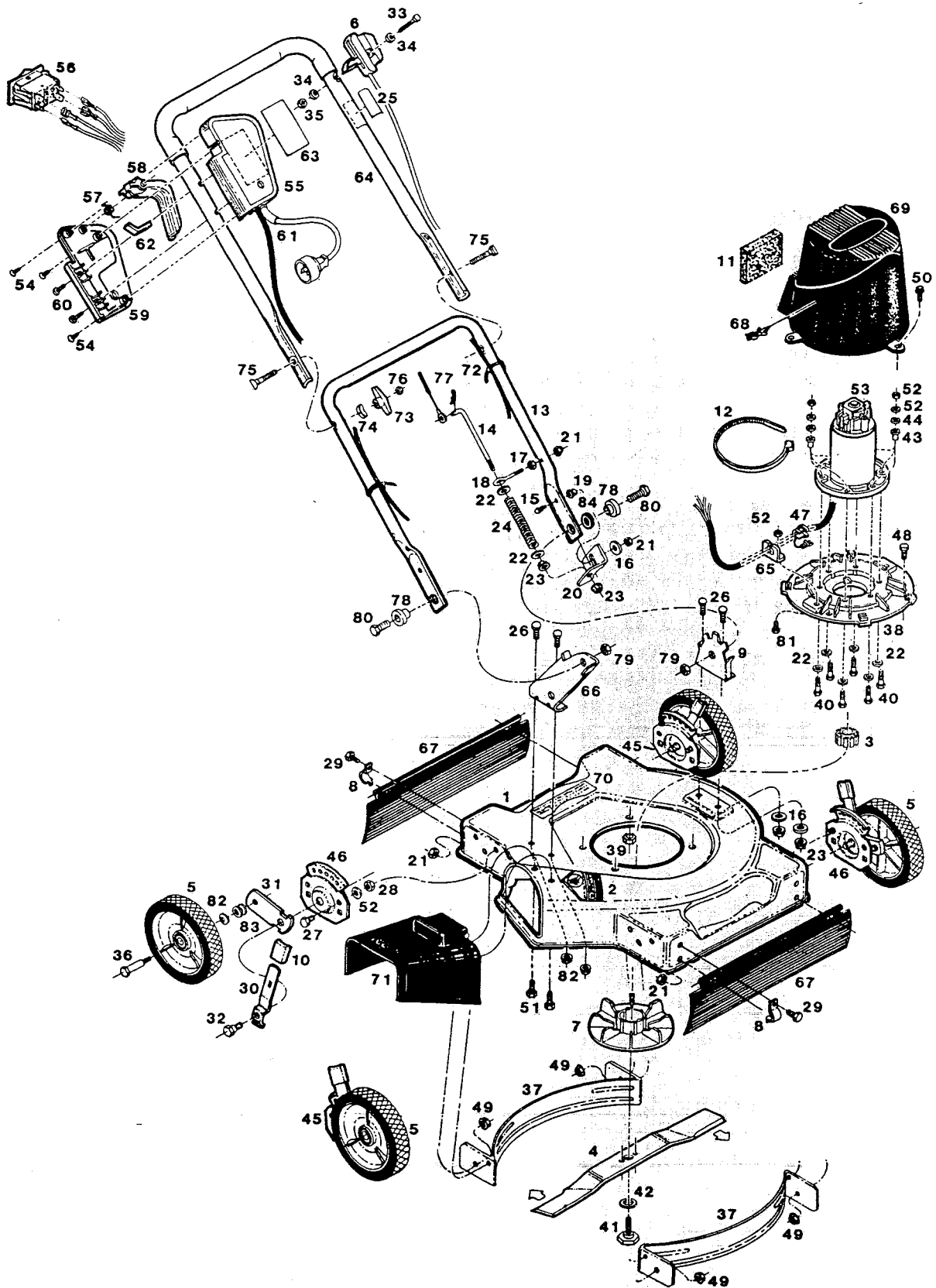


MODEL 8902K (JCP)
19" SIDE DISCHARGE ELECTRIC ROTARY MOWER
Grass Catcher Model: GC23A P/N 160960
Repl. Bag: P/N 160663



MODEL 8902K (JCP)
19" SIDE DISCHARGE ELECTRIC ROTARY MOWER
 Grass Catcher Model: GC23A P/N 160960
 Repl. Bag: P/N 160663

Ref. No.	JCPenney Part No.	Supplier Part No.	Description
1	1367-6390	021972	Deck 19"
2	1367-6408	007518	Decal - Danger
3	1367-6416	018507	Adapter-Blade
4	1367-6424	018515	Blade - 19"
5	1367-6432	041525	Wheel - 7" White-Plastic
6	1367-6440	050708	Control-Handle Release
7	1367-6457	099705	Fan - Electric Motor
8	1244-0020	106914	Clip - Trailing Shield
9	1367-6465	107318	Handle Bracket L H
10	1367-9782	114462	Tip-Adjuster Lever
11	1367-6473	113761	Filter-Electric Motor
12	1367-6481	113951	Cable Tie 15"
13	1367-6499	073106	Handle-Lower
14	1367-6705	107805	Rod-Handle Lock
15	1244-0244	151522	Screw - #10-24 x 3/4 Hex
16	1367-6507	151555	Washer - Flat 1/4" ID 1 OD
17	1277-7736	151985	Nut - #10-24 Hex
18	1277-7744	153890	Eye bolt #10-24 x 2
19	1367-7653	154047	Spacer - Lock Plate
20	1367-7935	179341	Plate - Lock
21	1324-5204	452318	Nut - #10-24 Nylock
22	1367-9287	462093	Washer - Flat 1/4"
23	1302-1951	715078	Nut - 1/4-20 Flange Whiz
24	1159-6723	775825	Spring - Handle Latch
25	1367-8982	147421	Decal - Handle Control
26	1277-8197	150011	Bolt - Carriage 1/4-20 x 5/8
27	1085-8256	715045	Bolt - 1/4-20 x 3/4
28	1086-3565	715508	Nut - 1/4-20 Toplock
29	1072-7469	458687	Screw - #10 - 24 x 1/2
30	1297-6999	776500	Setting Lever - Ht Adj
31	1286-1340	777862	Wheel Arm
32	1093-0154	153650	Shoulder Bolt - Ht Adj
33	1367-8990	154112	Bolt - Plastic Handle Control
34	1367-9006	154120	Washer - Plastic Handle Control
35	1367-9014	154138	Nut - Plastic Handle Control
36	1299-5809	150060	Wheel Bolt
37	1367-9022	171389	Baffle - Deck
38	1367-9030	172080	Plate - Motor
39	1277-8304	310151	Nut - 5/16-18 Nylock
40	1367-9048	312108	Bolt - 1/4-20 x 1-1/4
41	1367-9055	380527	Bolt - Blade
42	1367-9063	380535	Washer - Blade Plastic
43	1367-9071	380576	Bushing - Nylon Flange

Ref. No.	JCPenney Part No.	Supplier Part No.	Description
44	1367-9089	380584	Washer - Plastic
45	1333-8298	428664	Black Plate - Ht Adj R.H. Front L.H. Rear
46	1289-0430	428714	Back Plate-Ht. Adj L.H. Front R.H. Rear
47	1291-6193	447771	Strain Relief-Electric Cord
48	1302-1704	450346	Bolt-5/16-18 x 3/4
49	1076-0189	451492	Nut - 3/8-16 Toplock Fig
50	1291-6144	457192	Screw - #10-32 x 1/2 Self Tap
51	1324-5261	457499	Bolt - 1/4-20 x 7/16 Self Tap
52	1066-3565	715508	Nut - 1/4-20 Toplock
53	1367-9097	610154	Motor - Electric
54	1367-9105	152801	Screw - #8 - 12 x 3/4"
55	1367-9113	630277	Switch Box Body
56	1367-9121	630285	Switch - Control
57	1367-9139	630293	Spring - Lever
58	1367-9147	630301	Lever - Switch Box
59	1367-9154	630327	Switch Box Cover
60	1367-9162	630343	Screw - #10-8 x 1 1/4"
61	1367-9170	630350	Wire Harness Assembly
62	1367-9188	667113	Bracket - Switch
63	1367-9196	680793	Decal - Handle Control
64	1367-9204	073254	Handle - Upper Coated
65	1291-6235	664144	Bracket - Cord
66	1367-9212	665281	Handle Bracket R H
67	1367-9220	673236	Shield - Trailing
68	1367-9238	673277	Clip - Cord
69	1367-9246	673814	Shroud - Electric Motor
70	1367-9253	680801	Decal - U.L. Control No
71	1367-9261	713263	Chute Deflector
72	1244-0012	110379	Cable Tie
73	1373-3993	113589	Knob - Wing
74	1072-7089	150201	Curved Washer
75	1277-7884	151928	Bolt - Curved Head 5/16 - 18 x 1 3/4
76	1317-7167	310045	Nut - 5/16 - 18
77	1072-7238	490011	Hairpin - Cotter
78	1367-9279	673251	Bushing Pivot Plastic
79	1277-8320	715086	Nut - 3/8 - 16 Top Lock
80	1072-5265	715326	Bolt - 3/8 - 16 x 1"
81	1066-3516	715052	Bolt - 1/4 - 20 x 1/2"
82	1277-7462	715607	Washer - 3/8 Belleville
83	1283-1509	715417	Washer - Flat
		187393	Owners Handbook

Optional Accessory

1276-1110	160960	Grass Catcher
1276-1193	160556	Replacement Bag

- This parts list covers several different mower models; not all of the parts listed may be used on the particular model you are working with.
- When servicing use only **Genuine Factory Replacement Parts (OEM)** that are specifically designed for the particular model that you are working with.
- Parts are right or left hand as viewed from the operator's position.
- Model specifications are subject to change without prior notice.
- **Do not operate** the mower unless all parts are attached and in good working order.
- Lawn mower deck and/or other painted parts differing in color may be substituted without notice.