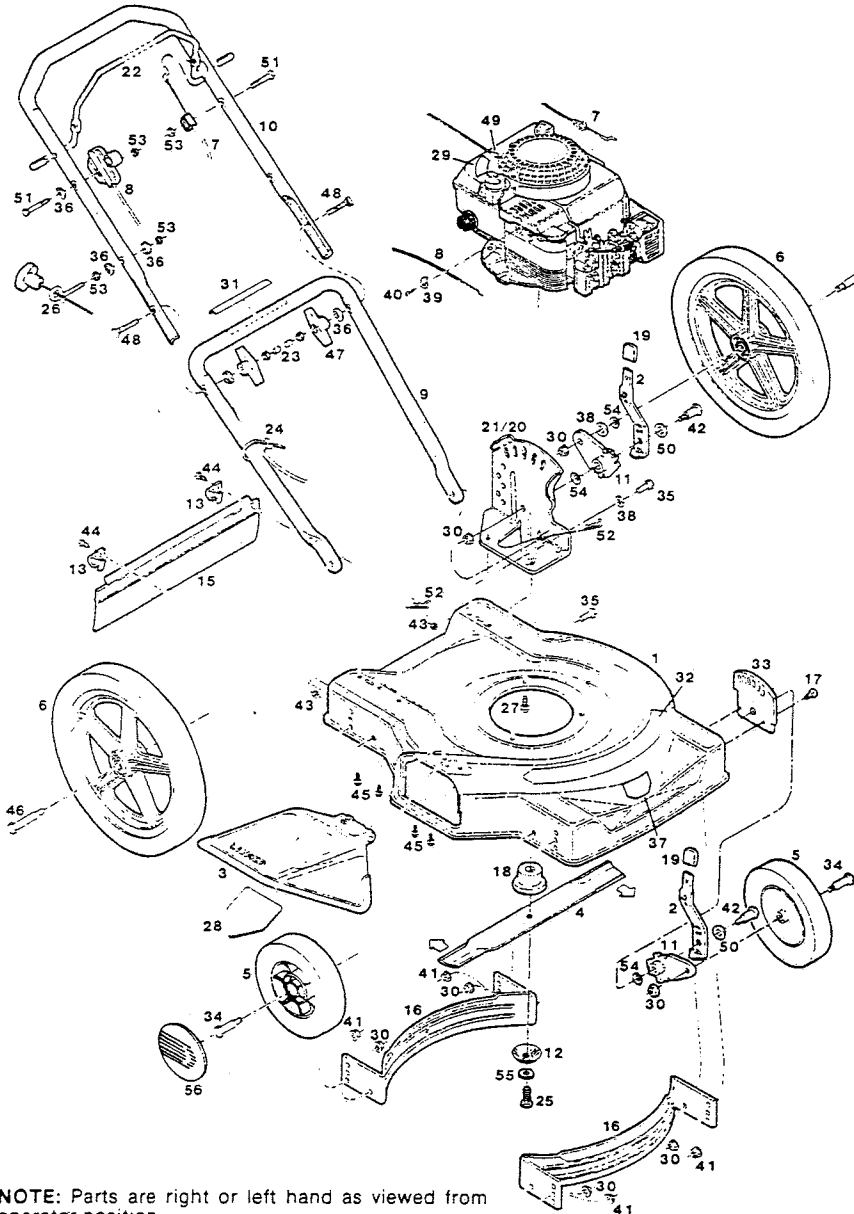


22" ROTARY MOWER Model 90

Accepts large, easy to empty Grass Catcher Model GC-12A

WARNING DO NOT operate your mower unless

all parts are attached and in good working order. Keep your mower in good repair at all times.



NO.	PART NO.	DESCRIPTION
1	022749	Deck 22"
2	092817	Lever - Height Adj.
3	391771	Chute Deflector Assembly
4	031385	Blade - 22"
5	043236	Wheel 8 x 2 Plastic - Gray
6	043125	Wheel 16 x 1 75
7	052845	Control Cable - Engine/Blade
8	053111	Control - Throttle
9	073445	Handle - Lower
10	073553	Handle - Upper
11	091819	Wheel Arm
12	164681	Washer - Conical
13	106914	Clip - Trailing Shield
14	310045	Nut - 5/16-18
15	114421	Trailing Shield - Plastic
16	088930	Baffle - Front & Rear
17	158907	Bolt - Carriage 5/16-18 x 5/8
18	094933	Blade Adapter
19	114462	Tip - Plastic
20	023028	Handle Bracket - Right Hand - Hgt. Adj.
21	023010	Handle Bracket - Left Hand - Hgt. Adj.
22	073573	Bail - Engine/Blade Control
23	110064	Bolt Cap - Plastic
24	110379	Cable Tie
25	157255	Blade Bolt
26	152371	Eyebolt - Rope Guide
27	164999	Bolt 3/8-16 x 7/8 TDFM
28	144063	Decal - C.P.S.C. Danger
29	001206	Decal - Blade Warning
30	156406	Nut - 3/8-16 Flange Lock
31	799599	Decal - Starting Instructions
32	799821	Decal - Lawn Chief
33	092775	Back Plate - Height Adjuster
34	166740	Wheel Bolt - front
35	154377	Hex Head Bolt 3/8-16 x 3/4
36	150201	Curved Washer 5/16
37	001453	Decal - 22"
38	158469	Washer - 3/8
39	157552	Cable Clamp
40	150623	Screw - Casing
41	157610	Nut - 5/16-18 Flange Lock
42	164897	Shoulder Bolt - Hgt. Adj.
43	452318	Nut #10-24 Hex Nylon Insert
44	458687	Bolt Hex 10-24 x 1/2
45	164998	Bolt-1/4-20 x 1/2 Thread Forming
46	164582	Wheel Bolt - Rear
47	113589	Wing Nut 5/16-18
48	151936	Curved Head Bolt 5/16-18 x 2-1/4
49	152074	Rope Stop
50	164020	Washer - Hardened
51	150433	Bolt - 1/4-20 x 2
52	715011	Hitch Pin #3
53	715037	Nut 1/4-20 Keps
54	715607	Washer - 3/8 Belleville
55	156877	Washer - 3/8 Hardened
56	043240	Hubcap

NOTE: Parts are right or left hand as viewed from operator position.
Specifications subject to change without prior notice.

WARNING THOROUGHLY READ OPERATOR'S MANUAL AND COMPLETELY ASSEMBLE ALL LOOSE PARTS BEFORE OPERATING MOWER.

S/N 239021
P/L 082846
O/M 082915