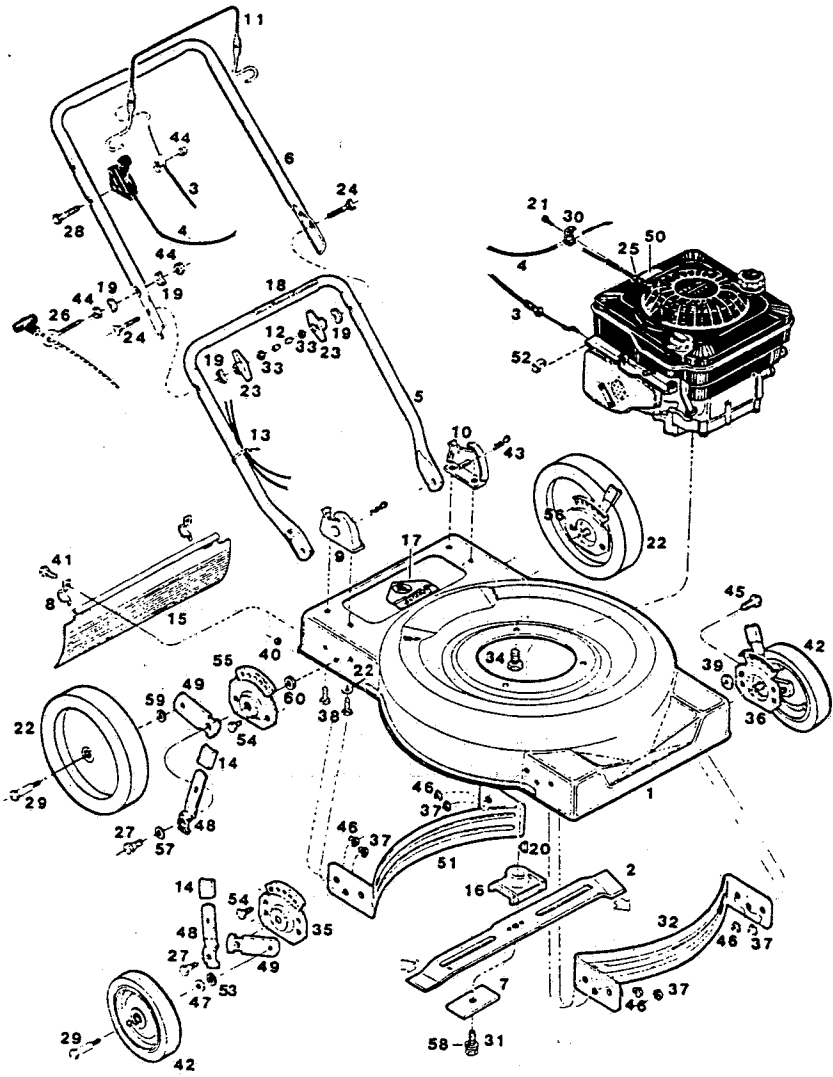


# MODEL 91MAK 5 HP 20" Mulching Mower



INDEX NO.	PART NO.	DESCRIPTION
1	022392	Deck - 20" Mulcher
2	030189	Blade - 20" Mulcher
3	052209	Cable - Engine/Blade Control
4	052779	Control - Throttle
5	072991	Handle - Lower
6	073007	Handle - Upper
7	106005	Washer - Blade Adapter
8	106914	Clip - Trailing Shield
9	088369	Handle Bracket - R.H.
10	088377	Handle Bracket - L.H.
11	073015	Bail - Engine/Blade Control
12	110064	Bolt Cap - Plastic
13	110379	Cable Tie
14	114462	Plastic Tip - Setting Lever
15	114397	Trailing Shield - Plastic
16	126466	Blade Adapter
17	143115	Decal - Danger
18	715557	Decal - Starting Instructions
19	150201	Washer - Curved 5/16"
20	150276	Woodruff Key No. 6
21	150623	Screw - Self Tap #10x5/8
22	042994	Wheel - 10" Plastic
23	113589	Wing Nut 5/16-18
24	151936	Bolt - Curved Head 5/16-18 x 2-1/4
25	152074	Rope Stop
26	152371	Rope Guide
27	153650	Shoulder Bolt - Height Adjuster
28	153874	Bolt - 1/4-20 x 2-1/4 Hex
29	157420	Wheel Bolt
30	157552	Clamp - Cable
31	157255	Bolt - Blade 3/8-24 x 1-1/2 Gr. 8
32	085878	Baffle - Front
33	310045	Nut 5/16-18
34	457168	Bolt - 3/8-16 x 7/8 TDFM
35	428664	Back Plate - Height Adjuster R.H. Front L.H. Rear
36	428714	Back Plate - Height Adjuster L.H. Front R.H. Rear
37	156406	Nut - 3/8-16 Lock Flange
38	457499	Bolt - 1/4-20 x 1/2 Thread Forming
39	462093	Washer - 1/4
40	452318	Nut #10-24 Hex Nylon Insert
41	458687	Bolt - #10-24 x 1/2
42	042952	Wheel - 8 x 1.75 Plastic
43	715011	Hairpin Cotter
44	715037	Nut - 1/4-20 Keys
45	715045	Bolt - 1/4-20 x 3/4
46	715508	Locknut 1/4-20
47	715607	Washer - Belleville
48	776500	Setting Lever - Height Adjuster
49	777862	Wheel Lever - Height Adjuster
50	001206	Decal - Blade Warning
51	089128	Baffle - Rear
52	381442	Clip
53	715417	Washer 3/8
54	715201	Bolt - 3/8-16 x 3/4
55	089151	Backplate - Height Adjuster - Rear R.H.
56	089169	Backplate - Height Adjuster - Rear L.H.
57	152314	Washer - Spring
58	156919	Washer - 3/8 Lock H.D.
59	337584	Spacer
60	156877	Washer - Flat

- This parts list covers several different mower models, not all of the parts listed may be used on the particular model you are working with
- When servicing use only **Genuine Factory Replacement Parts (OEM)** that are specifically designed for the particular model that you are working with
- Parts are right or left hand as viewed from the operator's position
- Model specifications are subject to change without prior notice.
- **Do not operate** the mower unless all parts are attached and in good working order.
- Lawn mower deck and or other painted parts differing in color may be substituted without notice