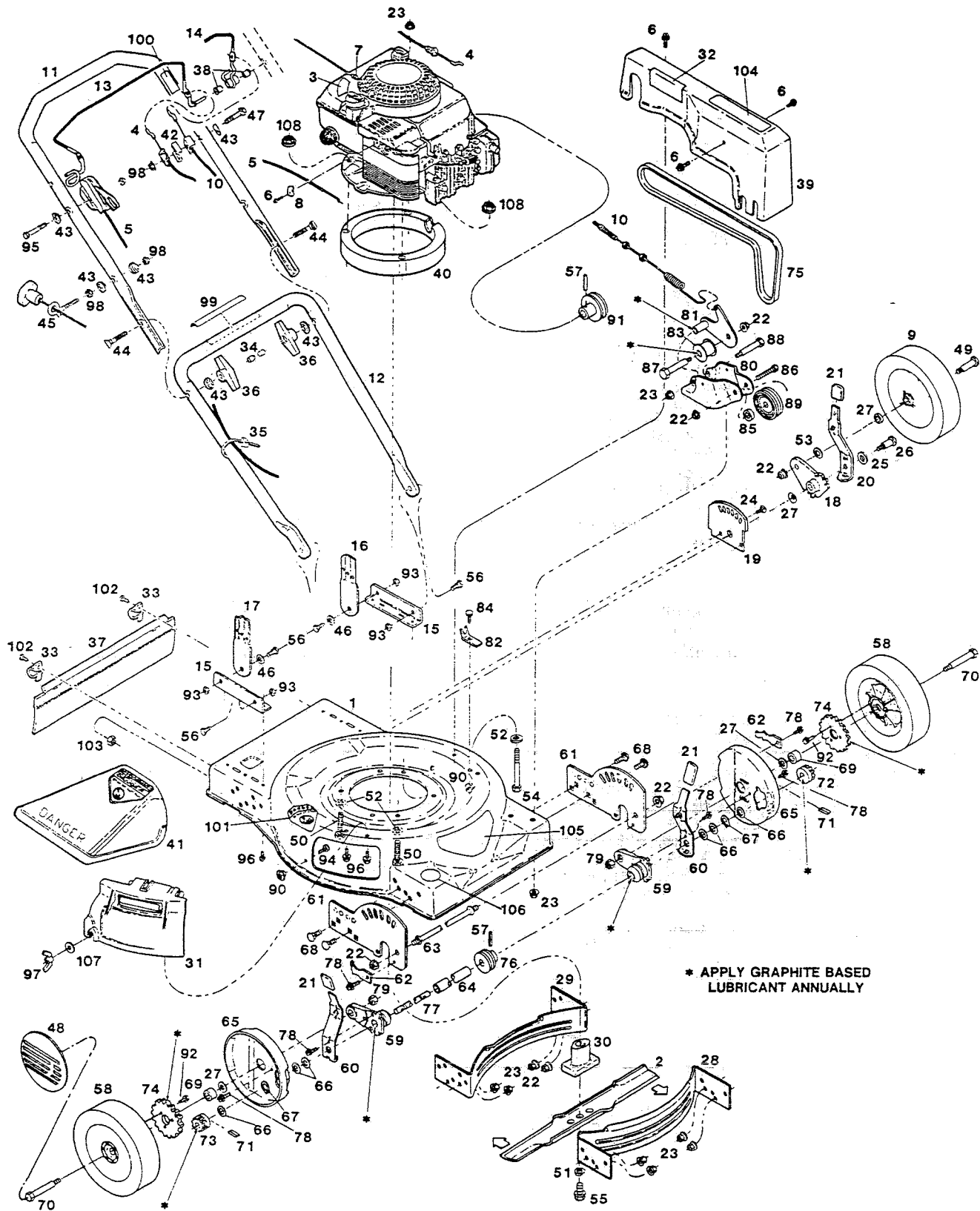


MODEL: 96M-N



S/N 239025
P/L 082842
O/M 082915

INDEX NO.	PART NO.	DESCRIPTION	INDEX NO.	PART NO.	DESCRIPTION
1	023226	Deck 20" S.D./S.P.Mulch	55	164533	Bolt 3/8-24 x 2-1/2 HHCS Gr. 8
2	031401	Blade 20" Mulcher	56	164756	Shoulder Bolt - Handle Bracket
3	001206	Decal - Blade Warning	57	166603	Pin - 3/16 x 1 Spiral
4	052936	Control Cable - Engine/Blade	58	043237	Wheel - 8" x 2" Plastic - Front
5	053112	Control - Throttle w/Cable	59	093310	Wheel Arm - Front
6	150623	Screw - #10-16 x 5/8 tap	60	095320	Lever - Setting Hgt. Adjust. - Front
7	152074	Rope Stop	61	093468	Back Plate - Hgt. Adjust. - Front
8	157552	Cable Clamp	62	093542	Pinion Bracket
9	043166	Wheel - 8" x 2" Plastic - Rear	63	095085	Rod Support
10	052886	Cable - Drive Engagement	64	114728	Axle Sleeve - Plas.
11	073411	Handle - Upper	65	115450	Dust Cover - Wheel
12	073460	Handle - Lower	66	152553	Washer - 1/2 Flat
13	073584	Bail - Engine Blade	67	153940	E-Ring
14	092593	Bail - Ground Drive	68	154088	Bolt - Carriage 5/16-18 x 1/2
15	092718	Handle Bracket - R.H. and L.H.	69	164889	Spacer - Wheel
16	092734	Plate - Height Adj. Hdle. L.H.	70	166744	Shoulder Bolt - Wheel - Front
17	092759	Plate - Height Adj. Hdle. R.H.	71	171041	Drive Pawl
18	091819	Wheel Arm - Rear	72	093369	Pinion - Ratchet L.H.
19	092775	Back Plate - Height Adjuster - Rear	73	093351	Pinion - Ratchet R.H.
20	092817	Lever - Setting Hgt. Adjust. - Rear	74	171157	Gear - Wheel Drive
21	114462	Plastic Tip - Height Adjuster	75	171983	V-belt 3L
22	156406	Nut - 3/8-16 Flange Lock	76	174649	Pulley - 1-3/4, 3L
23	157610	Nut - 5/16-18 Flange Lock	77	173179	Drive Shaft
24	158907	Bolt - Carriage 5/16-18 x 5/8	78	457192	Screw - #10-32 x 1/2 Tap
25	164020	Washer - Hardened	79	715391	Nut - 3/8-16 Hex
26	164897	Shoulder Bolt - Height Lever, Rear	80	093484	Idler Bracket
27	715607	Washer - Belleville	81	093526	Idler Arm
28	095481	Baffle - Front	82	093575	Cable Mount Bracket
29	092973	Baffle - Rear	83	113977	Idler Pulley
30	093443	Blade Adapter	84	150011	Bolt - Carriage 1/4-20 x 5/8
31	093922	Mulch Cover Assembly	85	152686	Spacer - Idler
32	094029	Decal - Heat Reflector	86	159046	Bolt - 3/8-16 x 1-3/4 HHCS
33	106914	Clip - Trailing Shield	87	164798	Shoulder Bolt 3/8-16 x 1/2 x 1-3/8
34	110064	Bolt Cap	88	164806	Shoulder Bolt 5/16-18 x 3/8 x 1-3/4
35	110379	Cable Tie	89	173484	Pulley - 2-1/2, 3L
36	115540	Wing Knob	90	715078	Nut - 1/4-20 Lock
37	114397	Trailing Shield - Plastic	91	174607	Pulley - 2-1/8, 3L
38	588463	Bearing - nylon	92	459677	Screw - #8-9 x 1-1/8 HWH
39	115246	Belt Cover	93	310151	Nut - 5/16-18 Nylon Insert
40	115484	Spacer - Engine	94	166631	Screw - 1/4-20 x 7/8
41	115295	Side Discharge Chute Assembly	95	150433	Bolt - 1/4-20 x 2 HHCS
42	115337	Spacer - Cable Mount	96	164998	Screw - 1/4-20 x 1/2 Tap
43	150201	Washer - Curved 5/16"	97	587998	Wing Nut
44	151936	Bolt - Curved Hd. Crg. 5/16-18 x 5/8	98	715037	Nut - 1/4-20 Keps
45	152371	Eyebolt - Rope Guide	99	799599	Decal - Starting Instructions
46	583302	Washer - Spring - Height Adjuster	100	794412	Decal - Drive Control
47	153874	Bolt - 1/4-20 x 2-1/4 HHCS	101	144063	Decal - Warning CPSC
48	043240	Hubcap - Gray	102	458687	Bolt - #10-24 x 1/2 HHCS
49	166740	Shoulder Bolt - Wheel Rear	103	452318	Nut - #10-24 Hex Nylon Insert
50	156463	Bolt - 5/16-18 x 2-3/4 HHCS Gr. 5	104	798504	Decal - Belt Cover
51	156919	Washer - 3/8 Lock	105	799823	Decal - Lawn Chief
52	158212	Washer - 5/16 Flat	106	799056	Decal - 3 in 1
53	158469	Washer - 3/8 Flat	107	615690	Washer - 1/4 Flat
54	163964	Bolt - 5/16-18 x 4 HHCS Gr. 5	108	157610	Nut - 5/16-18 Flange Lock

WARNING DO NOT OPERATE YOUR MOWER UNLESS ALL PARTS ARE ATTACHED AND IN GOOD WORKING ORDER. KEEP YOUR MOWER IN GOOD REPAIR AT ALL TIMES.

NOTE: PARTS ARE RIGHT OR LEFT HAND AS VIEWED FROM THE OPERATOR POSITION SPECIFICATIONS SUBJECT TO CHANGE WITHOUT PRIOR NOTICE.

S/N 239025
P/L 082842
O/M 082915