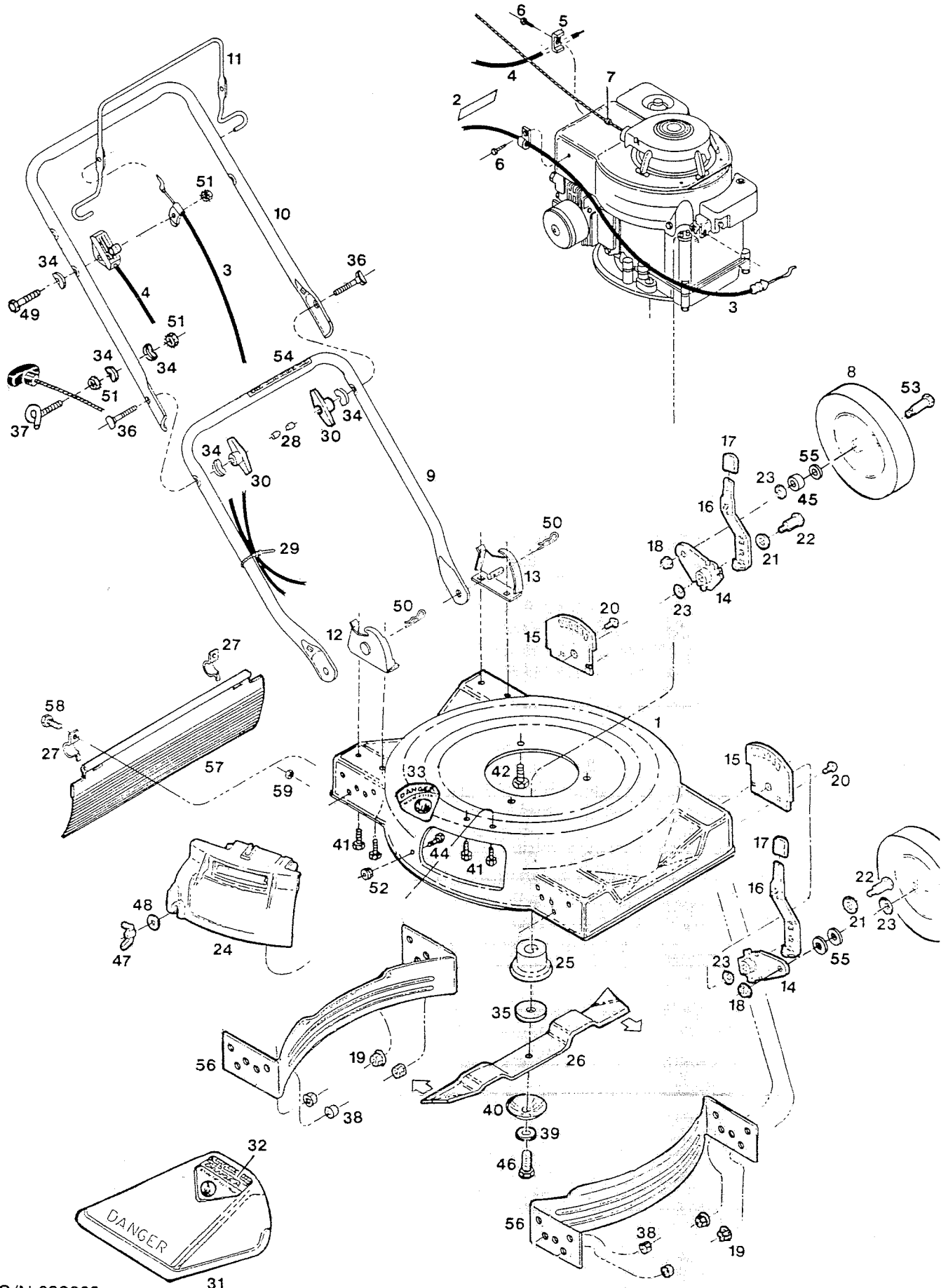


MODEL: A18-N



S/N 239009
P/L 838502
O/M 082806

PARTS LIST

| Index No. | Part No. | Description | Index No. | Part No. | Description |
|-----------|----------|---------------------------------|-----------|----------|-------------------------------|
| 1 | 023792 | Deck-18" S.D./Mulcher | 31 | 115295 | Chute Assembly-Side Discharge |
| 2 | 009415 | Decal-Blade Warning (Rectangle) | 32 | 143115 | Decal-Danger-Chute |
| 3 | 052928 | Cable-Engine/Blade Control | 33 | 144063 | Decal-Danger-Deck |
| 4 | 053073 | Control-Throttle w/Cable | 34 | 150201 | Washer-Curved 5/16" |
| 5 | 150318 | Cable Clamp | 35 | 150763 | Spacer/Washer |
| 6 | 150623 | Screw-#10-16x5/8 HWH | 36 | 151936 | Bolt-Curved Hd.5/16-18x2-1/4 |
| 7 | 152074 | Clip-Rope Stop | 37 | 152371 | Rope Guide |
| 8 | 043231 | Wheel-8x2 Plastic | 38 | 156406 | Nut-3/8-16 Flange Lock |
| 9 | 072991 | Handle-Lower | 39 | 156877 | Washer-3/8 Hardened |
| 10 | 073007 | Handle-Upper | 40 | 164681 | Washer-Conical |
| 11 | 104687 | Bail-Engine/Blade Control | 41 | 164998 | Bolt-1/4-20x1/2 TDFM, Flange |
| 12 | 092601 | Handle Bracket-Right Hand | 42 | 164999 | Bolt-3/8-16x7/8 TDFM |
| 13 | 092619 | Handle Bracket-Left Hand | 43 | 166620 | Wheel Bolt-Shoulder - Front |
| 14 | 091819 | Wheel Arm | 44 | 166631 | Capscrew-1/4-20 w/Loctite |
| 15 | 092775 | Back Plate-Height Adjuster | 45 | 152686 | Spacer |
| 16 | 092817 | Setting Lever-Height Adjuster | 46 | 381624 | Bolt-Blade 3/8-24x2 Gr.8 |
| 17 | 114462 | Plastic Tip-Height Adjuster | 47 | 587998 | Nut-1/4-20 Wing Nylock |
| 18 | 156406 | Nut-3/8-16 Flange Lock | 48 | 615690 | Washer-Flat |
| 19 | 157610 | Nut-5/16-18 Flange Lock | 49 | 616094 | Bolt-1/4-20x2-1/2 |
| 20 | 158907 | Bolt-Carriage 5/16-18x5/8 | 50 | 715011 | Hairpin Cotter |
| 21 | 164020 | Washer-Hardened | 51 | 715037 | Nut-1/4-20 Keys |
| 22 | 164897 | Shoulder Bolt-Height Adjuster | 52 | 715078 | Nut-1/4-20 Flange Lock |
| 23 | 715607 | Washer-Belleville | 53 | 166741 | Wheel Bolt-Shoulder - Rear |
| 24 | 093922 | Mulch Cover Assembly | 54 | 799599 | Decal-Starting Instructions |
| 25 | 094933 | Blade Adapter | 55 | 158469 | Washer - Flat |
| 26 | 095381 | Blade-18" Mulcher | 56 | 813177 | Baffle- Front and Rear |
| 27 | 106914 | Clip-Trailing Sheild | 57 | 841514 | Trailing Sheild |
| 28 | 110064 | Bolt Cap | 58 | 458687 | Bolt-Hex Hd.#10-24x1/2 |
| 29 | 110379 | Cable Tie | 59 | 452318 | Nut- #10-24 Hex Nylock |
| 30 | 115540 | Wing Knob | | | |

WARNING DO NOT OPERATE YOUR MOWER UNLESS ALL PARTS ARE ATTACHED AND IN GOOD WORKING ORDER. KEEP YOUR MOWER IN GOOD REPAIR AT ALL TIMES.

NOTE: PARTS ARE RIGHT OR LEFT HAND AS VIEWED FROM THE OPERATOR POSITION.

S/N 239009
P/N 838502
O/M 082806