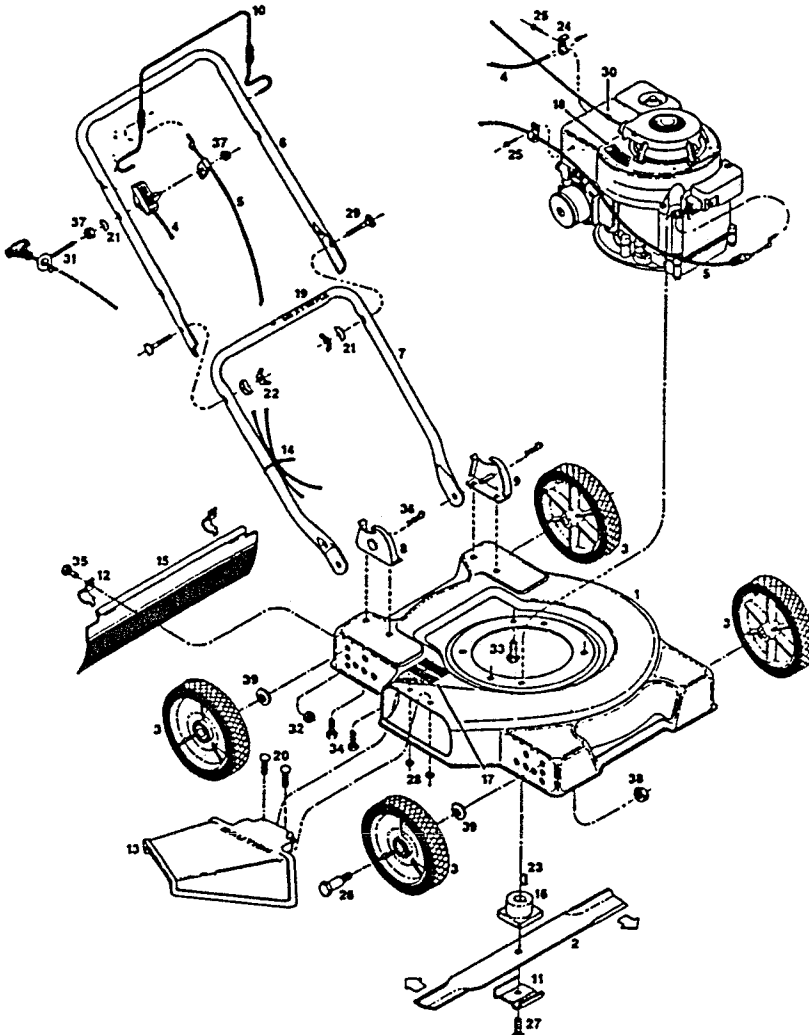


19" SIDE DISCHARGE ROTARY MOWER
MODEL: A-19H
 Grass Catcher Model: GC 6AA - P/N 161018
 Repl. Bag: P/N 160457



ITEM NO.	PART NO.	DESCRIPTION
1	012955	Deck 19" Green
2	030023	Blade - 19" Flat
3	041533	Wheel 6-1/2" Plastic
4	051219	Control - Throttle Plastic
5	052142	Cable - Engine/Blade Control
6	071076	Handle - Upper
7	071563	Handle - Lower
8	107086	Handle Bracket - Right Hand
9	107094	Handle Bracket - Left Hand
10	109389	Bail - Engine/Blade Control
11	106336	Washer - Blade Adapter
12	106914	Clip - Trailing Shield
13	391706	Chute Deflector Assembly
14	110379	Cable Tie
15	111583	Trailing Shield
16	133231	Blade Adapter
17	144063	Decal - C.P.S.C. Danger
18	001461	Decal - Blade Warning
19	144899	Decal - Starting Instructions
20	150011	Bolt - Carriage 1/4-20 x 5/8
21	150201	Washer - Curved 5/16
22	150235	Wingnut 5/16-18
23	150276	Woodruff Key #6
24	150318	Cable Clamp
25	150623	Self Tap Screw #10 x 5/8
26	150730	Shoulder Bolt - Wheel
27	162024	Bolt-Blade 3/8-24 x 1-1/4 Gr. 8
28	715508	Locknut 1/4-20 Top
29	151928	Bolt - Curved Head 5/16-18 x 1-3/4
30	152074	Rope Stop
31	152629	Rope Guide
32	452318	Nut #10-24 Hx Nylon Insert
33	457168	Bolt - Hex Head Self Tap 3/8-16 x 7/8
34	457499	Bolt - Self Tap 1/4-20 x 5/8
35	458687	Bolt #10-24 x 1/2
36	715011	Hairpin Cotter
37	715037	Nut - Keps 1/4-20
38	451492	Locknut 3/8-16 Top Lock Flange
39	715607	Washer - Belleville

Note: Parts are right or left hand as viewed from operator position.

Specifications subject to change without prior notice.

When servicing use only genuine factory replacement parts that are specifically for your particular model.