

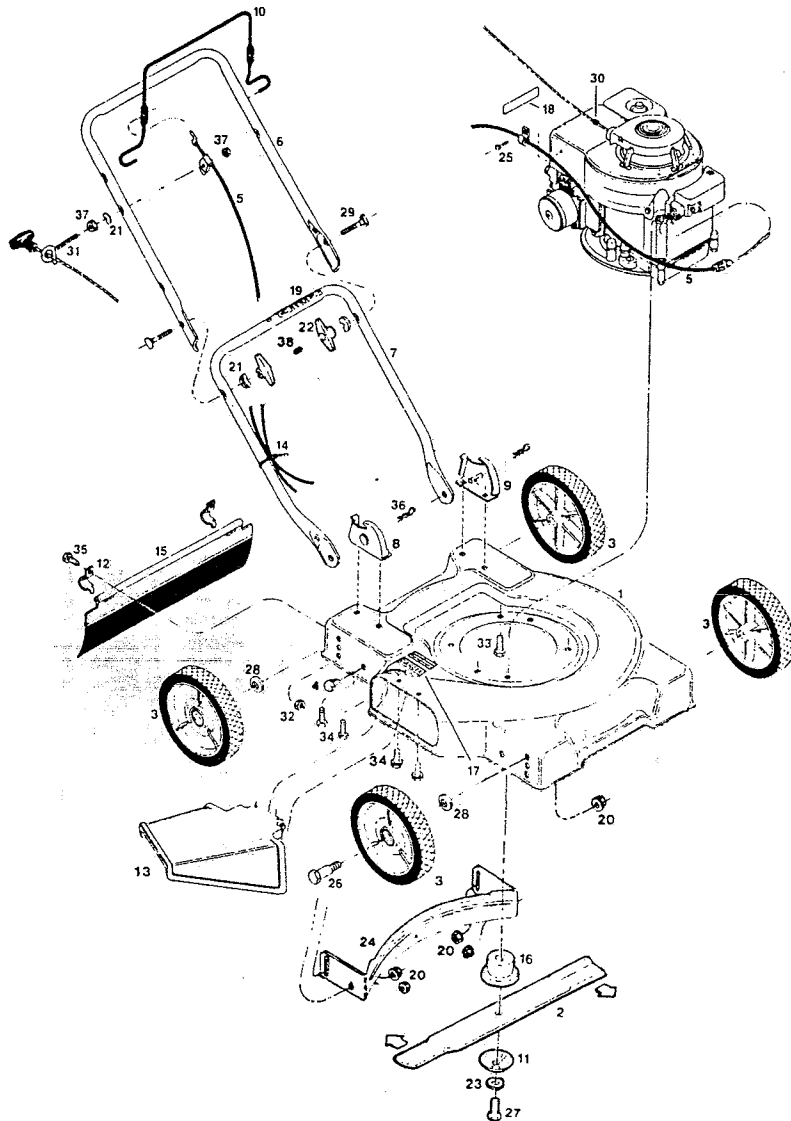
# 20"/22" SIDE DISCHARGE ROTARY MOWER

Parts listed are for mower excluding the engine.  
For engine information refer to Engine manual enclosed in literature bag.

NOTE: This parts list covers several different mower models.  
Not all the parts listed may be used on your particular mower.



**WARNING** DO NOT operate your mower unless all parts are attached and in good working order. Keep your mower in good repair at all times.



INDEX NO.	PART NO.	DESCRIPTION
1	019059	Deck 20"
	023821	Deck 22"
2	030031	Blade - 20" Flat
	030049	Blade - 22" Flat
3	043000	Wheel 7" Plastic
	043231	Wheel 8" x 2" Plastic
4	715201	Bolt - Hex 3/8 - 16 x 3/4
5	053045	Cable - Engine/Blade Control
6	073007	Handle - Upper
7	072991	Handle - Lower
8	092601	Handle Bracket - Right Hand
9	092619	Handle Bracket - Left Hand
10	104687	Bail - Engine/Blade Control
11	164681	Washer - Conical
12	106914	Clip - Training Shield
13	394619	Chute Deflector Assembly
14	110379	Cable Tie
15	114405	Trailing Shield 20"
	114421	Trailing Shield 22"
16	094933	Blade Adapter
17	144063	Decal - C.P.S.C. Danger
18	009415	Decal - Blade Warning
19	799599	Decal - Starting Instructions
20	156406	Locknut 3/8-16 Flange
21	150201	Washer - Curved 5/16
22	115540	Knob-Wing
23	156877	Washer - Hardened
24	101519	Baffle - Rear
25	150623	Self Tap Screw #10 x 5/8
26	166620	Shoulder Bolt - 7" wheel
	166741	Shoulder Bolt - 8" Wheel
27	157255	Bolt-Blade 3/8-24 x 1-1/4 Gr. 8
28	715607	Washer - Belleville
29	151936	Bolt - Curved Head 5/16-18 x 2-1/4
30	152074	Rope Stop
31	152629	Rope Guide
32	452318	Nut #10-24 Hx Nylon Insert
33	164999	Bolt - Hex Head Self Tap 3/8-16 x 7/8
34	164998	Bolt - Self Tap 1/4-20 x 5/8
35	458687	Bolt #10-24 x 1/2
36	715011	Hairpin Cotter
37	715037	Nut - Keps 1/4-20
38	110064	Cap - Plastic

NOTE: Parts are right or left hand as viewed from operator position.

Specifications subject to change without prior notice.

GRASS CATCHER NOT INCLUDED. ASK FOR GRASS CATCHER MODEL GC-6AA.

FOR ORDERING PARTS SEE PARTS ORDERING FORM ENCLOSED IN LITERATURE BAG.



**WARNING** WHEN SERVICING USE ONLY GENUINE FACTORY REPLACEMENT PARTS THAT ARE SPECIFICALLY FOR YOUR PARTICULAR MODEL



**WARNING** THOROUGHLY READ OPERATOR'S MANUAL AND COMPLETELY ASSEMBLE ALL LOOSE PARTS BEFORE OPERATING MOWER.

S/N 239029-239030  
P/L 082966-082858  
O/M 082806