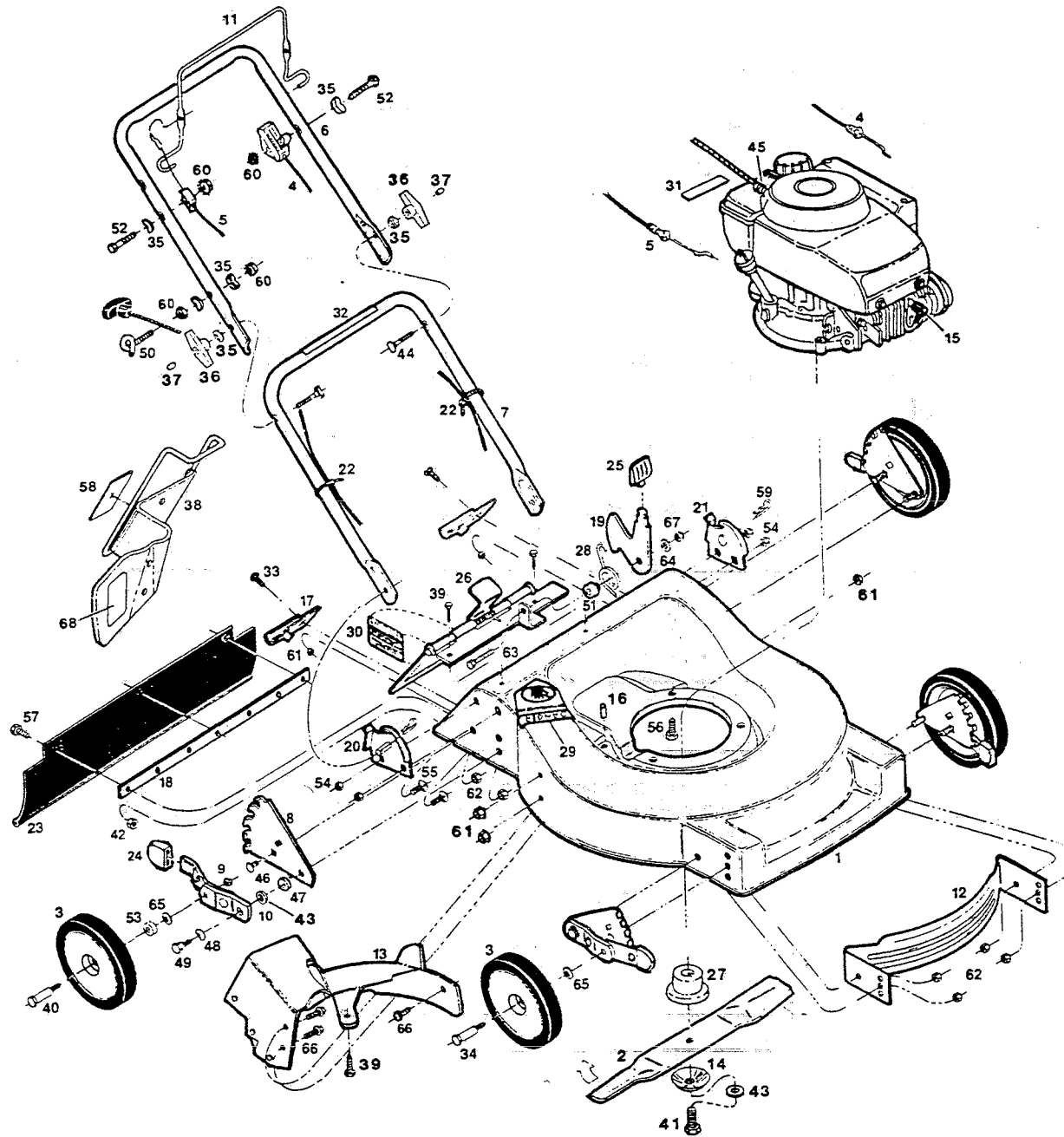


MODEL: A2145-N



S/N 239007
P/L 082819
O/M 082806

PARTS LIST

Parts listed are for the mower excluding the engine.
For engine information refer to Engine manual enclosed in literature bag.

NOTE: This parts list covers several different mower models.
Not all of the parts listed may be used on your particular mower.

Index No.	Part No.	Description	Index No.	Part No.	Description
1	018614	Deck 21" Rear Bagger - Red	35	150201	Washer—Curved 5/16
	023721	Deck 21" Rear Bagger - Green	36	150540	Wing Knob
2	031377	Blade 21" Offset	37	110064	Bolt Cap
3	043231	Wheel—Plastic 8" x 2"	38	088211	Mulcher Plate Assembly
4	053116	Control—Throttle w/cable	39	150623	Screw—Hex Head Sheet Metal #10x5/8
5	053118	Cable—Engine/Blade Control	40	166742	Bolt—Wheel Rear
6	073007	Handle—Upper	41	157255	Bolt—Blade 3/8-24 x 1 1/4"
7	073023	Handle—Lower	42	452318	Nut #10-24 Hex Nylon Insert
8	093104	Back Plate—Height Adjuster	43	156877	Washer—3/8 Hardened
9	715524	Locknut—3/8-16 Jam	44	151936	Bolt—Curved Head Crg 5/16-18 x 1 1/4
10	093098	Wheel Arm Assembly	45	152074	Rope Stop
11	104687	Bail—Engine/Blade Control	46	152405	Bolt—Carnage 3/8-16 x 3/4
12	092825	Baffle—Front	47	156182	Washer—Plastic-Height Adjuster
13	094965	Baffle Assembly—Rear	48	152421	Washer—Spring-Height Adjuster
14	164681	Blade Washer—Conical	49	156125	Shoulder Bolt—Height Adjuster
15	110833	Cover—Spark Plug	50	152371	Rope Guide
16	111856	Cap—Plastic	51	152637	Spacer—Catcher Latch
17	109546	Catcher Frame Bracket	52	153874	Bolt—1/4-20 x 2 1/4
18	109496	Backing Strip—Trailing Shield	53	152686	Spacer—Rear Wheel
19	108324	Catcher Latch	54	310151	Locknut—5/16-18 Nylock
20	093054	Handle Bracket—Right Hand	55	450346	Bolt—Hex 5/16-18 x 3/4
21	093062	Handle Bracket—Left Hand	56	164999	Bolt—3/8-16 x 7/8 Thread Forming
22	110379	Cable Tie	57	458687	Bolt—Hex Head 10-24 x 1/2
23	111633	Trailing Shield	58	794735	Decal—Mulcher Warning
24	110510	Plastic Tip—Height Adjuster	59	715011	Hitch Pin #3
25	111724	Knob—Catcher Latch	60	715037	Locknut—1/4-20 Keps
26	013706	Door Assembly	61	715078	Nut—1/4-20 Flange Whiz
27	094933	Blade Adapter	62	156406	Nut—3/8-16 Flange Lock
28	133371	Torsion Spring—Catcher Latch	63	715292	Bolt—Hex Head 1/4-20 x 1
29	143115	Decal—Danger	64	715300	Washer—1/4"
30	795039	Decal—Door Warning	65	715607	Washer—Belleville
31	009415	Decal—Blade Warning	66	156851	Bolt—1/4-20x 3/8 Shaved Head
32	799599	Decal—Starting Instructions	67	715508	Locknut—1/4-20 Top
33	150011	Bolt—Carnage 1/4-20 x 5/8 Gr. 5	68	794743	Decal—Mulcher Plate Install
34	166745	Shoulder Bolt—Front			

▲WARNING

WHEN SERVICING USE ONLY GENUINE FACTORY REPLACEMENT PARTS THAT ARE SPECIFICALLY FOR YOUR PARTICULAR MODEL

▲WARNING

DO NOT OPERATE YOUR MOWER UNLESS ALL PARTS ARE ATTACHED AND IN GOOD WORKING ORDER. KEEP YOUR MOWER IN GOOD REPAIR AT ALL TIMES

NOTE: PARTS ARE RIGHT OR LEFT HAND AS VIEWED FROM THE OPERATOR POSITION.
SPECIFICATIONS SUBJECT TO CHANGE WITHOUT PRIOR NOTICE

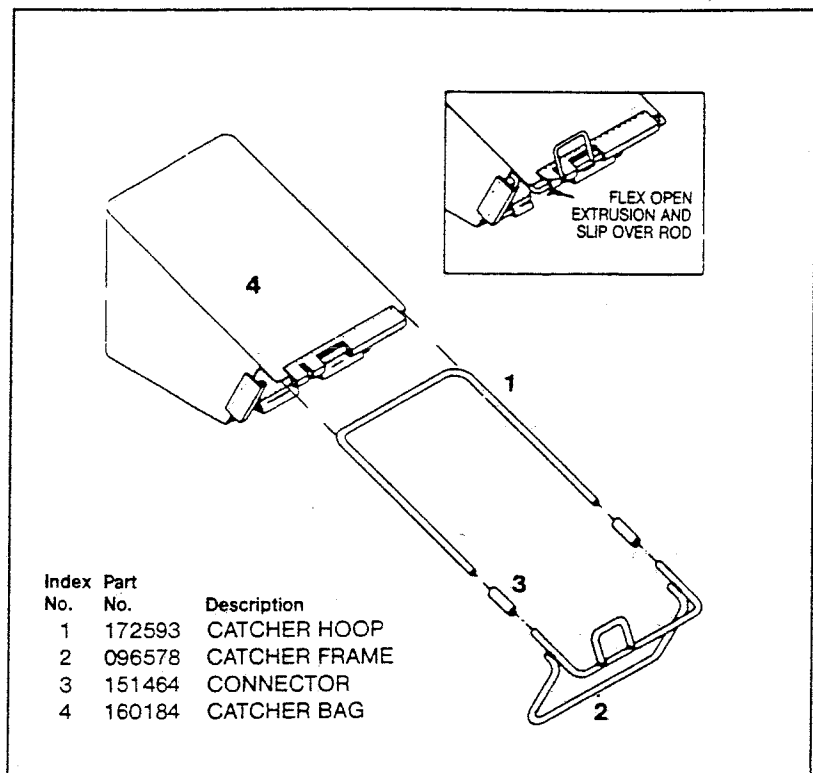
S/N 239007
P/L 082819
O/M 082806

21" REAR BAGGING ROTARY MOWER

GRASS CATCHER INCLUDED

GRASS CATCHER ASSEMBLY INSTRUCTIONS

Your lawn mower has been completely assembled. The grass catcher requires some assembly. To assemble proceed as follows. (Refer to illustration)



1. Push the two ends of the catcher hoop (Index No. 1) into the front catcher frame connectors (Index No. 3).
2. Slide the catcher bag (Index No. 4) onto the catcher frame assembly. The printed panels should be on top and on the left side.
3. Spreading the vinyl locking strips (See insert) attach to the frame assembly.

⚠ DANGER Do not attempt to attach or remove grass catcher while engine/blade is turning.

⚠ WARNING Do not operate the mower unless the entire grass catcher is in place.

⚠ WARNING Grass catcher bag and components are subject to wear, damage, and deterioration, which could be parts or allow objects to be thrown. Frequently check bag and components and replace with recommended parts, when necessary.

⚠ WARNING THOROUGHLY READ OPERATOR'S MANUAL AND ASSEMBLE ALL LOOSE PARTS BEFORE OPERATING MOWER.