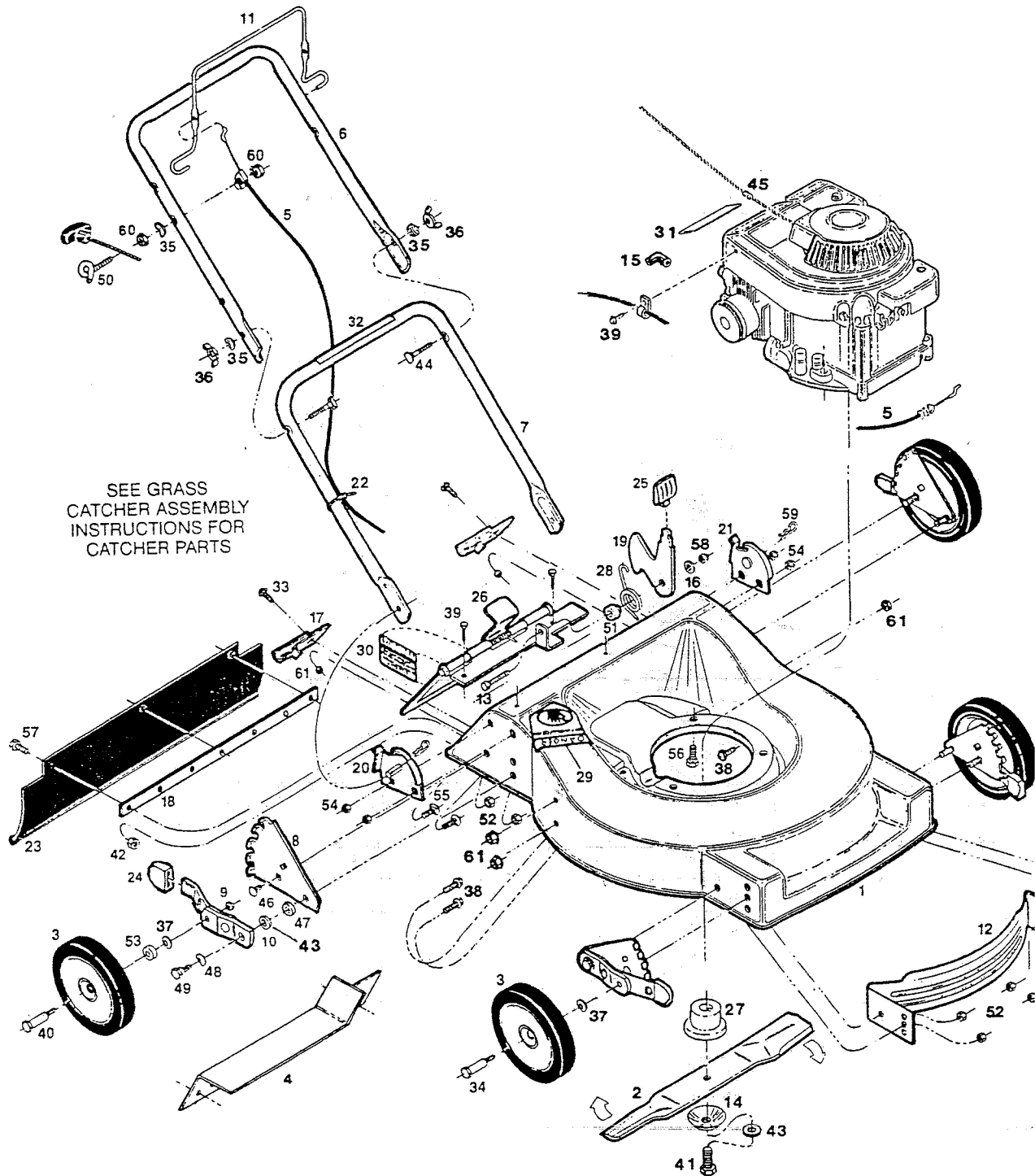


MODEL: A21-N



S/N 239031
P/L 082853
O/M 082806

PARTS LIST

Parts listed are for the mower excluding the engine.
For engine information refer to Engine manual enclosed in literature bag.

Index No.	Part No.	Description	Index No.	Part No.	Description
1	018614	Deck 21" Rear Bagger	32	799599	Decal—Starting Instructions
2	031377	Blade 21" Offset	33	150011	Bolt—Carriage 1/4-20 x 5/8 Gr. 5
3	043231	Wheel-8 x 2 Plastic	34	166745	Bolt—Front Wheel
4	095212	Baffle Rear	35	150201	Washer—Curved 5/16
5	053044	Cable—Engine/Blade Control	36	150235	Wing Nut
6	073007	Handle—Upper	37	715607	Washer—Belleville
7	073023	Handle—Lower	38	156851	Bolt—1/4 - 20 x 3/8 Shaved Hd.
8	093104	Back Plate—Height Adjuster	39	150623	Screw—Hex Head Sheet Metal #10x5/8
9	715524	Locknut—3/8-16 Jam	40	166742	Bolt—Wheel Rear
10	093088	Wheel Arm Assembly	41	157255	Bolt—Blade 3/8-24 x 1 1/4"
11	104687	Bail—Engine/Blade Control	42	452318	Nut #10-24 Hex Nylon Insert
12	092825	Baffle—Front	43	156877	Washer—3/8 Hardened
13	715292	Bolt—Hex Hd 1/4-20 x 1	44	151928	Bolt—Curved Head Crg 5/16-18 x 1 3/4
14	164681	Blade Washer—Conical	45	152074	Rope Stop
15	110833	Cover—Spark Plug	46	152405	Bolt—Carriage 3/8-16 x 3/4
16	715300	Washer - 1/4	47	156182	Washer—Plastic-Height Adjuster
17	109546	Catcher Frame Bracket	48	152421	Washer—Spring-Height Adjuster
18	109496	Backing Strip—Trailing Shield	49	156125	Shoulder Bolt—Height Adjuster
19	108324	Catcher Latch	50	152629	Rope Guide
20	093054	Handle Bracket—Right Hand	51	152637	Spacer—Catcher Latch
21	093062	Handle Bracket—Left Hand	52	156406	Nut 3/8-16 Flange Lock
22	110379	Cable Tie	53	152686	Spacer—Rear Wheel
23	111633	Trailing Shield	54	310151	Locknut—5/16-18 Nylock
24	110510	Plastic Tip—Height Adjuster	55	450346	Bolt—Hex 5/16-18 x 3/4
25	111724	Knob—Catcher Latch	56	164999	Bolt—3/8-16 x 7/8 Thread Forming
26	013706	Door Assembly	57	458687	Bolt—Hex Head 10-24 x 1/2
27	094933	Blade Adapter	58	715508	Locknut—14 - 20 Top
28	133371	Torsion Spring—Catcher Latch	59	715011	Hitch Pin #3
29	143115	Decal—Danger	60	715037	Locknut—1/4-20 Keps
30	795039	Decal—Door Warning	61	715078	Nut—1/4-20 Flange Whiz
31	009415	Decal—Blade Warning			

NOTE: IF YOU PURCHASE OPTIONAL REAR BAGGER SIDE DISCHARGE KIT #160762, IT IS NECESSARY THAT YOU REPLACE THE REAR BAFFLE INSTALLED IN THIS MOWER WITH REAR BAFFLE ASSEMBLY #094965 AND SCREW #150623.

WARNING WHEN SERVICING USE ONLY GENUINE FACTORY REPLACEMENT PARTS THAT ARE SPECIFICALLY FOR YOUR PARTICULAR MODEL

WARNING DO NOT OPERATE YOUR MOWER UNLESS ALL PARTS ARE ATTACHED AND IN GOOD WORKING ORDER. KEEP YOUR MOWER IN GOOD REPAIR AT ALL TIMES

NOTE: PARTS ARE RIGHT OR LEFT HAND AS VIEWED FROM THE OPERATOR POSITION.
SPECIFICATIONS SUBJECT TO CHANGE WITHOUT PRIOR NOTICE

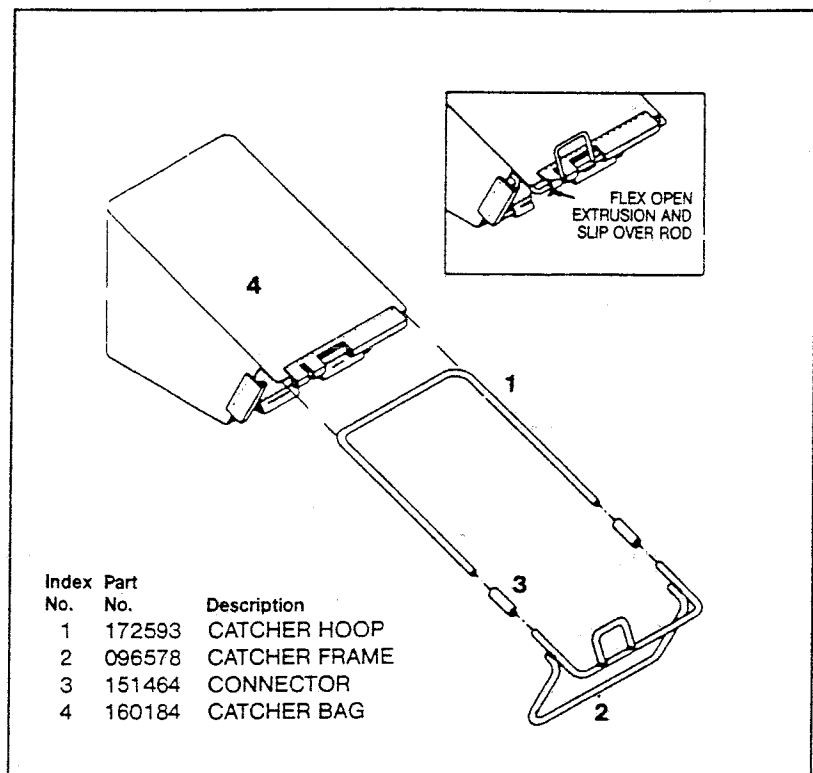
S/N 239031
P/L 082853
O/M 082806

21" REAR BAGGING ROTARY MOWER

GRASS CATCHER INCLUDED

GRASS CATCHER ASSEMBLY INSTRUCTIONS

Your lawn mower has been completely assembled. The grass catcher requires some assembly. To assemble proceed as follows. (Refer to illustration)



1. Push the two ends of the catcher hoop (Index No. 1) into the front catcher frame connectors (Index No. 3).
2. Slide the catcher bag (Index No. 4) onto the catcher frame assembly. The printed panels should be on top and on the left side.
3. Spreading the vinyl locking strips (See insert) attach to the frame assembly.

⚠ DANGER Do not attempt to attach or remove grass catcher while engine/blade is turning.

⚠ WARNING Do not operate the mower unless the entire grass catcher is in place.

⚠ WARNING Grass catcher bag and components are subject to wear, damage, and deterioration, which could cause parts to fail or allow objects to be thrown. Frequently check bag and components and replace with recommended parts, when necessary.

⚠ WARNING THOROUGHLY READ OPERATOR'S MANUAL AND ASSEMBLE ALL LOOSE PARTS BEFORE OPERATING MOWER.