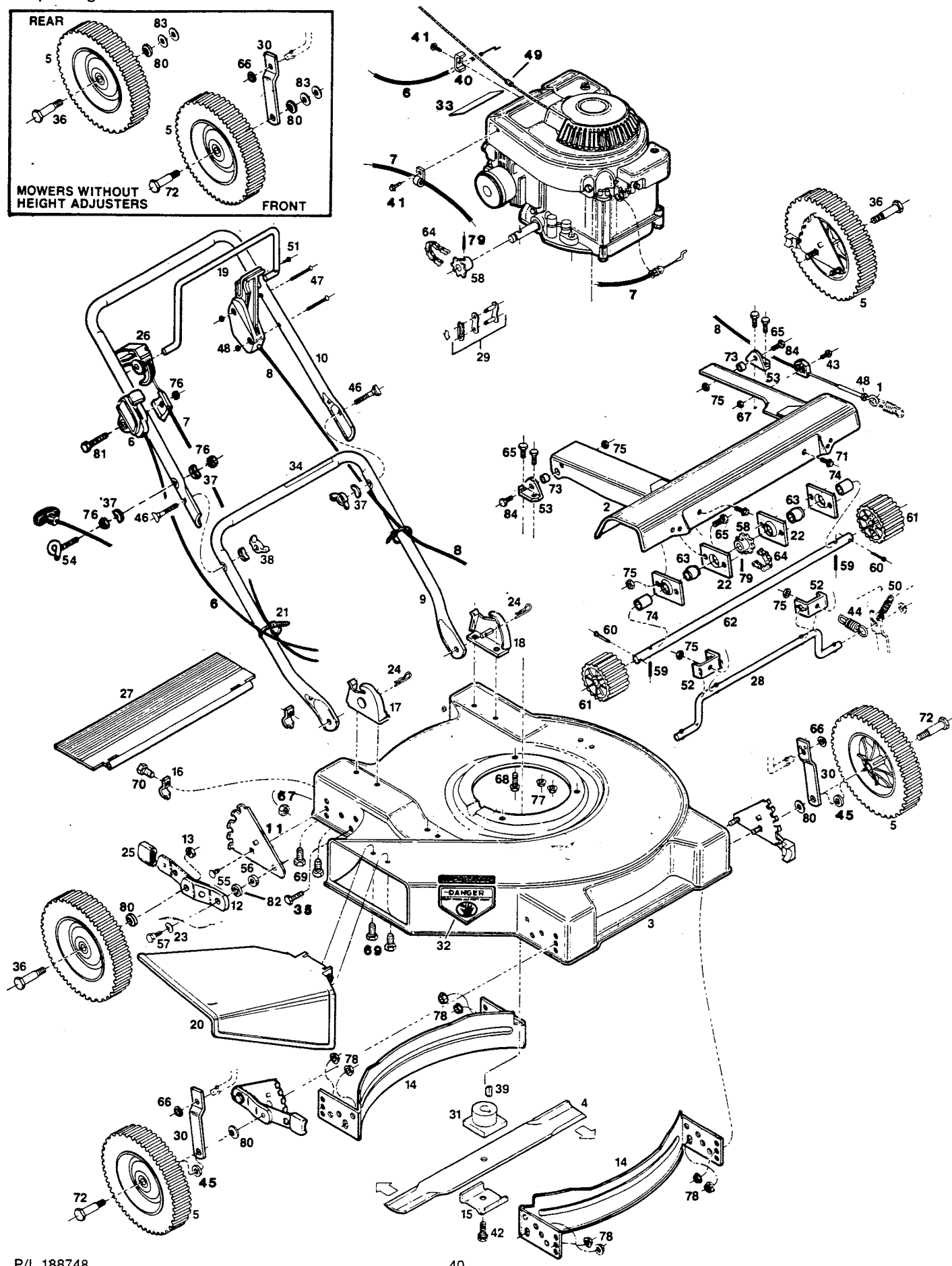
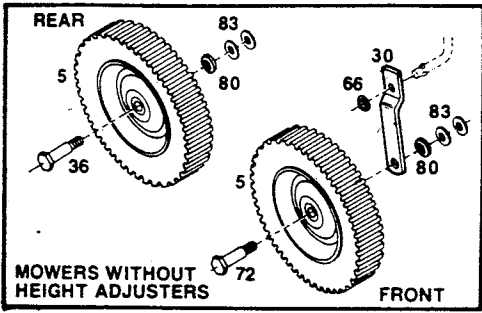


**MODEL A2261K & EA2261K**  
**22" SELF-PROPELLED SIDE DISCHARGE MOWER**  
 Grass Catcher Model: GC6AA P/N 161018  
 Repl. Bag: P/N 161158



**MODEL A2261K & EA2261K**  
**22" SELF-PROPELLED SIDE DISCHARGE MOWER**  
 Grass Catcher Model: GC6AA P/N 161018  
 Repl. Bag: P/N 161158

Index No.	Part No.	Description	Index No.	Part No.	Description
1	153890	Eyebolt	40	150318	Cable Clamp
2	012831	Cover Assembly w/o Ht. Adj.	41	150623	Screw Hex Head Sht. Metal #10 x 5/8
	012823	Cover Assembly w/Ht. Adj.	42	162024	Bolt-Blade 3/8-24 x 1-1/4 Gr. 8
3	019786	Deck - 22"	43	151522	Bolt #10-24 x 3/8
4	030049	Blade 22" Flat	44	775858	Spring - Drive Control
5		Wheel Assemblies*	45	156075	Washer - Flat 1/2"
	041095	Wheel - 8" Steel White Cog	46	151928	Bolt - Curved Head Square 5/16-18 x 1 3/4
	041921	Wheel - 8" Plastic White Cog	47	151944	Bolt - Oval Head Machine, #10-24 x 2
	040766	Wheel - 7" Plastic White Cog	48	151985	Nut - Hex #10-24
6	051219	Control - Throttle w/Cable	49	152074	Rope Stop
7	052225	Cable - Engine/Blade Control	50	775817	Spring - Pinion Assy.
8	052399	Control - Ground Drive	51	152181	Screw - Bail Retaining
9	071563	Handle - Lower	52	771691	Bracket
10	071092	Handle - Upper	53	769067	Bracket - Pinion Tube
	071100	Handle - Upper Cushioned*	54	152371	Rope Guide
11	091249	Back Plate - Ht. Adjuster*	55	152405	Bolt - Carriage 3/8-16 x 3/4*
12	085019	Wheel Arm Assy.	56	156182	Washer - Plastic*
13	715524	Locknut 3/8-16 Jam	57	156125	Shoulder Bolt - Ht. Adjuster*
14	101519	Baffle - Rear & Front*	58	170142	Sprocket - 8 Tooth
15	106336	Washer - Blade Adapter	59	314096	Roll Pin 3/16 x 1-1/4
16	106914	Clip - Trailing Shield	60	317016	Cotter Pin 1/8 x 1
17	088369	Handle Bracket - R.H.	61	416693	Pinion
18	088377	Handle Bracket - L.H.	62	417741	Shaft w/o Ht. Adj.
19	097659	Bail - Engine/Blade Control		417766	Shaft w/Ht. Adj.
20	394619	Chute Deflector Assembly	63	423319	Bearing
21	110379	Cable Tie	64	425306	Chain
22	463778	Bearing Plate	65	449587	Bolt - Hex Head 1/4-20 x 5/8
23	152421	Spring Washer	66	452250	Push Nut
24	715011	Hitch Pin	67	452318	Nut - Nylon Insert #10-24
25	110510	Plastic Tip - Ht. Adjuster*	68	457168	Bolt - Thread Form 3/8-16 x 7/8
26	111526	Actuator-Engine Control	69	457499	Bolt - Thread Form 1/4-20 x 1/2
27	114405	Trailing Shield - 22" w/o Ht. Adj.	70	458687	Bolt - #10-24 x 1/2
	114421	Trailing Shield - 22" w/Ht. Adj.	71	459206	Bolt - Flange Head, 1/4-20 x 5/8
28	783605	Rod - Engagement w/o Ht. Adj.	72	158733	Bolt - Shoulder Front
	783613	Rod - Engagement w/Ht. Adj.	73	468355	Spacer Pivot
29	120295	Master Link #65	74	468405	Spacer - w/Ht. Adj.
30	778696	Actuator Arm - 8" Wheel		468397	Spacer - w/o Ht. Adj.
	108878	Actuator Arm - 7" Wheel	75	715508	Nut - Top Lock 1/4-20
31	133231	Blade Adapter	76	715037	Nut - Kep 1/4-20
32	144063	Decal - Danger	77	451419	Nut - Top Lock Flange 1/4-20
33	009415	Decal - Blade Warning	78	156406	Nut 3/8-16 Flange Lock
34	715557	Decal - Starting Instructions	79	715193	Roll Pin 3/16 x 1
35	715201	Bolt - 3/8-16 x 3/4 w/o Ht. Adj.	80	715607	Washer - Belleville
36	150730	Shoulder Bolt - Rear	81	153874	Bolt - 1/4-20 x 2 1/4 Hex Head
37	150201	Washer - Curved 5/16	82	156877	Washer - 3/8 Hardened
38	150235	Wingnut 5/16-18	83	715417	Washer - 3/8 SAE
39	150276	Woodruff Key #6	84	159004	Bolt - 1/4 - 20 x 3/4

• INDICATES OPTIONAL EQUIPMENT

• INDICATES OPTIONAL EQUIPMENT

- This parts list covers several different mower models; not all of the parts listed may be used on the particular model you are working with.
- When servicing use only **Genuine Factory Replacement Parts (OEM)** that are specifically designed for the particular model that you are working with.
- Parts are right or left hand as viewed from the operator's position.
- Model specifications are subject to change without prior notice.
- **Do not operate** the mower unless all parts are attached and in good working order
- Lawn mower deck and/or other painted parts differing in color may be substituted without notice