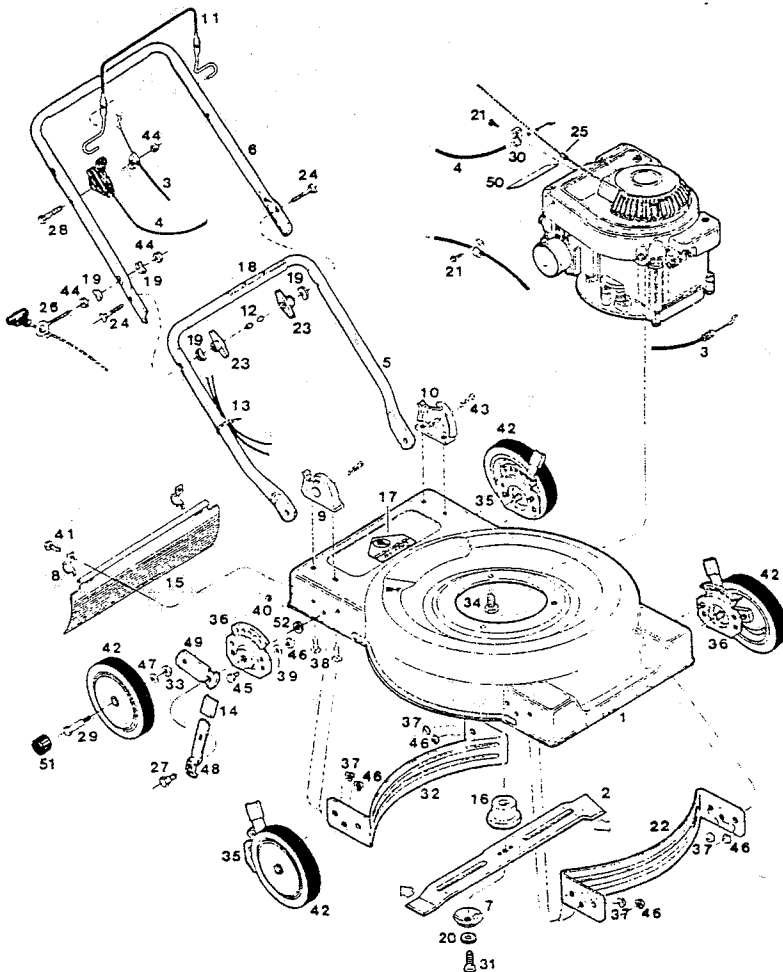


20" MULCHING ROTARY MOWER

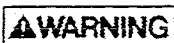


WARNING DO NOT operate your mower unless all parts are attached and in good working order. Keep your mower in good repair at all times.



INDEX NO.	PART NO.	DESCRIPTION
1	023309	Deck 20" Mulcher
2	030189	Blade - 20" Mulcher
3	052142	Cable - Engine/Blade Control
4	053079	Control - Throttle
5	072991	Handle - Lower-Black
	071563	Handle-Lower-Chrome
6	073007	Handle - Upper-Black
	071076	Handle-Upper-Chrome
7	164681	Washer - Blade Adapter
8	106914	Clip - Trailing Shield
9	092601	Handle Bracket - R.H.
10	092619	Handle Bracket - L.H.
11	104687	Bail - Engine/Blade Control-Chrome
	109389	Bail - Engine/Blade Control-Black
12	110064	Bolt Cap - Plastic
13	110379	Cable Tie
14	114462	Plastic Tip - Setting Lever
15	114397	Trailing Shield - Plastic
16	094933	Blade Adapter
17	143115	Decal - Danger
18	799599	Decal - Starting Instructions
19	150201	Washer - Curved 5/16"
20	156877	Washer-Hardened
21	166640	Screw - Self Tap #10 x 5/8
22	095481	Baffle - Front
23	115540	Wing Knob - Plastic
24	151936	Bolt-Curved Head 5/16-18 x 2-1/4
25	152074	Rope Stop
26	152371	Rope Guide
27	153650	Shoulder Bolt - Height Adjuster
28	153874	Bolt - 1/4-20 x 2-1/4 Hex
29	166741	Wheel Bolt
30	150318	Clamp - Cable
31	157255	Bolt - Blade 3/8-24 x 1-1/4 Gr. 8
32	092973	Baffle - Rear
33	158469	Washer - Flat
34	164999	Bolt - 3/8-16 x 7/8 TDFM
35	092650	Back Plate - Height Adjuster R.H. Front L.H. Rear
36	092643	Back Plate - Height Adjuster L.H. Front R.H. Rear
37	156406	Nut - 3/8-16 Toplock Flange
38	164998	Bolt - 1/4-20 x 1/2 Thread Forming
39	462093	Washer - 1/4
40	452318	Nut #10-24 Hex Nylon Insert
41	458687	Bolt - #10-24 x 1/2
42	043231	Wheel - 8 x 2" Plastic
	043000	Wheel - 7 x 1.50 Plastic
43	715011	Hairpin Cotter
44	715037	Nut - 1/4-20 Keps
45	715045	Bolt - 1/4-20 x 3/4
46	715508	Locknut 1/4-20
47	715807	Washer - Belleville
48	776500	Setting Lever - Height Adjuster
49	092668	Wheel Lever - Height Adjuster
50	009415	Decal - Blade Warning
51	043254	Hubcap
52	311340	Washer - 3/8

NOTE: Parts are right or left hand as viewed from operator position.
Specifications subject to change without prior notice.



THOROUGHLY READ OPERATOR'S MANUAL AND COMPLETELY ASSEMBLE ALL LOOSE PARTS BEFORE OPERATING MOWER.

S/N 239003-239090
P/L 082808
O/M 082806