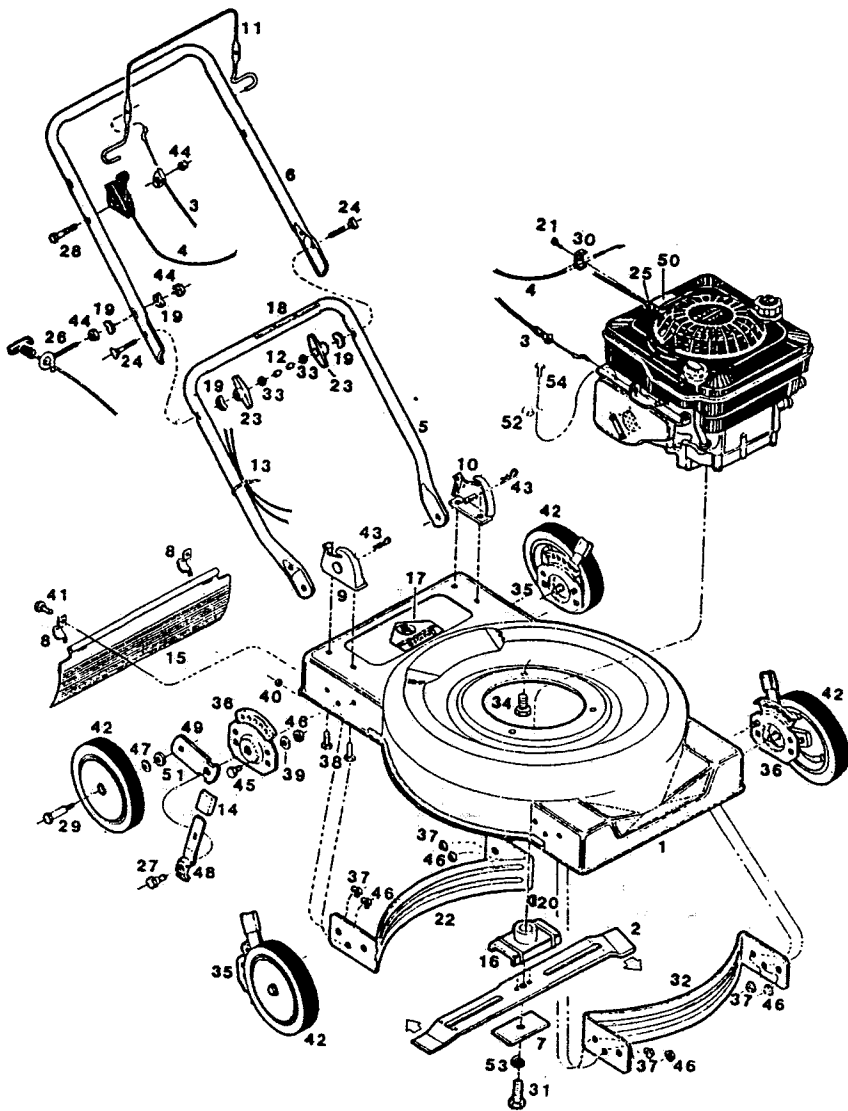


**MODEL: A2450L
20" CUT MULCHING ROTARY MOWER**



INDEX NO.	PART NO.	DESCRIPTION
1	023309	Deck - 20" Mulcher-Red
2	030189	Blade - 20" Mulcher
3	052209	Cable - Engine/Blade Control
4	052779	Control - Throttle
5	071563	Handle - Lower
6	071084	Handle - Upper Coated
7	106005	Washer - Blade Adapter
8	106914	Clip - Trailing Shield
9	092601	Handle Bracket - R.H.
10	092619	Handle Bracket - L.H.
11	104687	Bail - Engine/Blade Control
12	110064	Bolt Cap - Plastic
13	110379	Cable Tie
14	114462	Plastic Tip - Setting Lever
15	114397	Trailing Shield - Plastic
16	126466	Blade Adapter
17	143115	Decal - Danger
18	715557	Decal - Starting Instructions
19	150201	Washer - Curved 5/16"
20	150276	Woodruff Key No. 6
21	150623	Screw - Self Tap #10 x 5/8
22	089128	Baffle-Rear
23	113589	Wing Nut 5/16-18
24	151936	Bolt - Curved Head 5/16-18 x 2-1/4
25	152074	Rope Stop
26	152371	Rope Guide
27	153650	Shoulder Bolt - Height Adjuster
28	153874	Bolt - 1/4-20 x 2-1/4 Hex
29	157420	Wheel Bolt - Plastic Wheel
30	157552	Clamp - Cable
31	157255	Bolt - Blade 3/8-24 x 1-1/4 Gr. 8
32	085878	Baffle - Front
33	310045	Nut 5/16-18
34	457168	Bolt - 3/8-16 x 7/8 TDFM
35	092650	Back Plate - Height Adjuster R.H. Front L.H. Rear
36	092643	Back Plate - Height Adjuster L.H. Front R.H. Rear
37	156406	Nut - 3/8-16 Flange Lock
38	457499	Bolt - 1/4-20 x 1/2 Thread Forming
39	462093	Washer - 1/4
40	452318	Nut #10-24 Hex Nylon Insert
41	458687	Bolt - #10-24 x 1/2
42	043018	Wheel - 8 x 1.75 plastic
43	715011	Hairpin Cotter
44	715037	Nut - 1/4-20 Keps
45	715045	Bolt - 1/4-20 x 3/4
46	715508	Locknut 1/4-20
47	715607	Washer - Belleville
48	776500	Setting Lever - Height Adjuster
49	092668	Wheel Lever - Height Adjuster
50	001206	Decal - Blade Warning
51	158469	Washer - Flat
52	164442	Clip J-1/4
53	156919	Washer - Lock H.D.
54	164434	Hex HD. - #10-16 x 1/2

- When servicing this unit use only genuine General Power OEM replacement parts that are specifically designed and engineered for this particular model.
- Do not operate unit unless all parts are properly attached and in good working order.
- Parts are right or left hand as viewed from the operator's position.
- Specifications are subject to change without notice.

S/N 231902/232215
P/L 798363
O/M 798512
E/M 189142