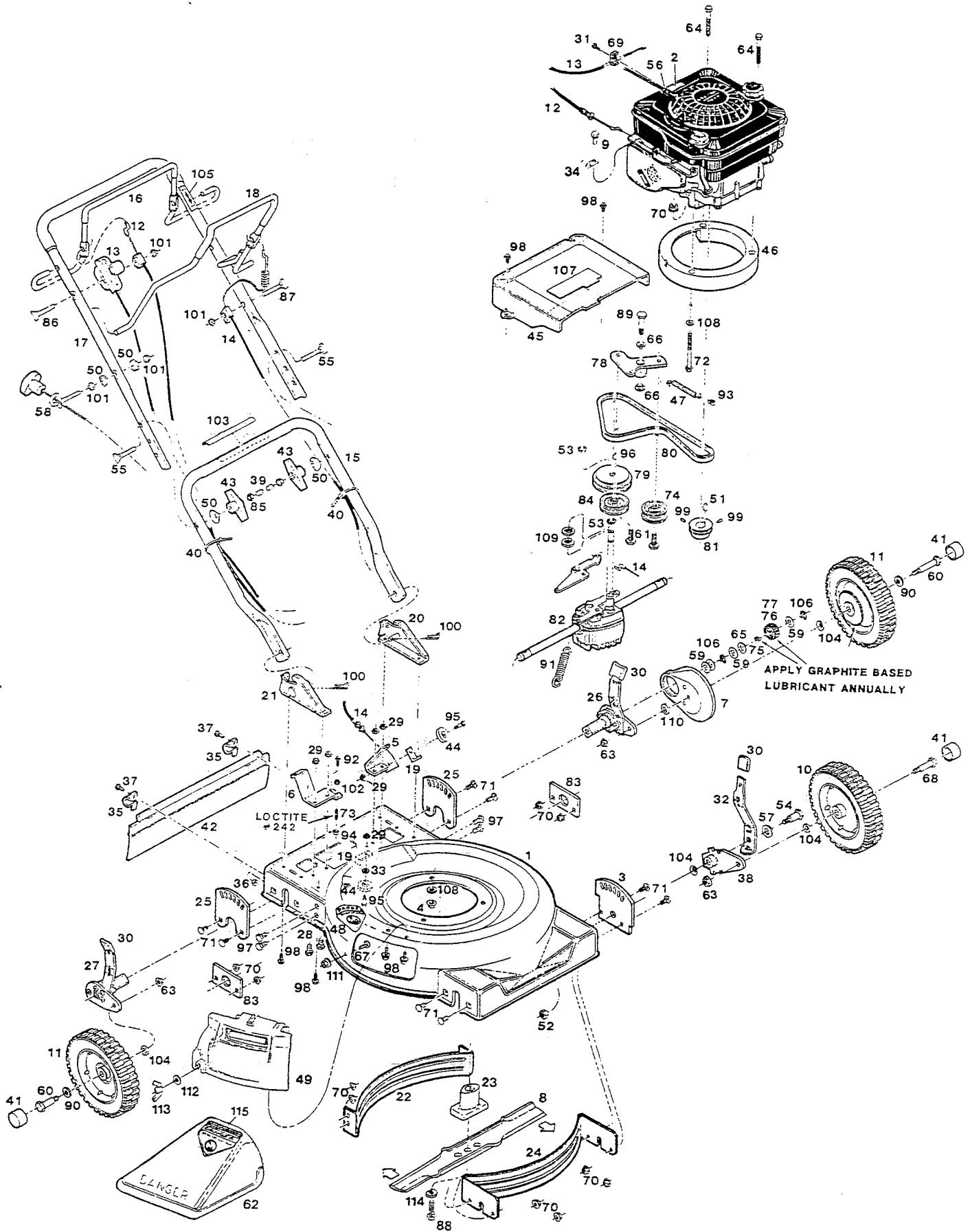


MODELS: A2571X-N AE2571A-N



S/N 239127-239126
P/L 082639-082964
O/M 082823

SELF PROPELLED MULCHING MOWER

Index No.	Part No.	Description	Index No.	Part No.	Description
1	023685	Deck 20" Mulcher	59	152553	Washer-Thrust 1/2
2	001206	Decal - Warning Blade Rotation	60	166625	Bolt - Wheel, Rear
3	093146	Plate - Height Adjuster - Front	61	154369	Bolt - 3/8-16 x 1 1/4 Shaved Head
4	616342	Nut - 5/16-18 Center Lock	62	115295	Chute Deflector Assembly
5	088674	Bracket - Pulley Mounting	63	156406	Nut - Hex 3/8-16 Flange
6	088658	Bracket - Trans Pulley	64	156463	Bolt - Hex 5/16-18 x 2-3/4 Gr. 5
7	022236	Cover - Drive Wheel	65	156638	Washer - Flat 1/2
8	031401	Blade - 20" Mulcher	66	156653	Bearing - Flange Nylon
9	164434	Screw - #10 - 16 x 1/2 Hex Hd.	67	155341	Stud - 1/4-20 x 7/8
10	041426	Wheel - Front 8"	68	166620	Bolt - Wheel, Front
11	041442	Wheel - Rear 8" w/Gear	69	157552	Clamp - Cable
12	052209	Cable - Engine/Blade Control	70	157610	Locknut - Flange 5/16-18
13	053075	Cable - Throttle Control	71	158907	Bolt - Carriage 5/16-18 x 5/8
14	052522	Cable - Drive Engagement	72	163964	Bolt - 5/16-18 x 4 Gr. 5
15	072991	Handle - Lower	73	163840	Stud - Short
16	104687	Bail - Engine/Blade Control	74	170621	Pulley - Idler, Flat
17	073197	Handle - Upper	75	171041	Dog - Drive
18	089615	Bail - Ground Drive	76	171058	Gear - Drive RH
19	096305	Bracket Cable Retainer	77	171066	Gear - Drive LH
20	093161	Bracket - Handle LH	78	171496	Arm - Idler
21	093153	Bracket - Handle RH	79	171819	Pulley - 2 Speed
22	087080	Baffle - Rear	80	171652	V-Belt
23	093443	Blade Adapter	81	171660	Sheave - Engine
24	087288	Baffle - Front	82	171751	Transmission Assembly
25	093120	Plate - Height Adjuster - Rear	83	179176	Support - Wheel Hub
26	089987	Wheel Arm Assembly L.H. Rear	84	305367	Pulley - Idler V-Groove
27	089979	Wheel Arm Assembly R.H. Rear	85	310045	Nut - 5/16-18
28	457044	Bolt - 1/4-20 x 1/2	86	380550	Bolt - Curved Head 1/4-20 x 2 1/4
29	715078	Nut - 1/4-20 Flange Lock	87	150029	Bolt - Curved Head 1/4 x 1 1/2
30	114462	Tip - Plastic	88	164533	Bolt - Blade 3/8-24 x 2 1/2 Gr. 8
31	150623	Screw - Hex Slotted #10 x 5/8	89	381665	Bolt - Shoulder
32	092817	Lever Height Adjuster - Front	90	156620	Washer 1/2 x 1
33	158956	Washer - 1/4	91	381780	Spring - Transmission Return
34	164442	Clip-J 1/4	92	150326	Screw #10-24 x 1/2 Hex Slot Head
35	106914	Clip-Trailing Shield	93	381889	Clip - "U" Tinnerman
36	452318	Nut #10-24 Hex Nylon Insert	94	382150	Spacer
37	458687	Bolt #10-24 x 1/2	95	158683	Bolt - Shoulder 1/4-20
38	091819	Wheel Arm - Front	96	446450	Key - Woodruff
39	110064	Cap - Plastic Bolt	97	159780	Bolt - Hex 5/16-18 x 5/8 Flange
40	110379	Cable Tie	98	164998	Bolt - 1/4-20 x 1/2 Thread Forming
41	112045	Cap-Hub	99	315093	Screw Set 5/16-18 x 1/4
42	114421	Trailing Shield - Plastic	100	715011	Hairpin Cotter
43	113589	Knob - Handle	101	715037	Nut - 1/4-20 Keps
44	112177	Pulley - Drive Cable	102	715334	Nut #10-24 Keps
45	115429	Cover - Transmission	103	715557	Decal - Starting Instructions
46	115436	Spacer - Engine	104	715607	Washer - Belleville
47	135665	Spring - Extension	105	794412	Decal - Drive Control
48	144063	Decal - Warning CPSC	106	153940	Ring - Transmission - Axle
49	093922	Mulch Cover Assembly	107	794974	Decal - Heat Reflector
50	150201	Washer - Curved 5/16	108	158212	Washer - 5/16
51	150276	Woodruff Key #6	109	162289	Spacer - Notched
52	715441	Nut 3/8-16 Twin Whiz	110	158469	Washer - 3/8 flat
53	151282	Ring - Transmission - Top	111	715078	Nut - 1/4 - 20 Flange Lock
54	164897	Bolt - Shoulder	112	615690	Washer - 1/4 Flat
55	151936	Bolt - Curved Head 5/16-18 x 2 1/4	113	587998	Wing Nut
56	152074	Rope Stop	114	156919	Lockwasher 3/8 H.D.
57	164020	Washer - Hardened	115	143115	Decal - Danger
58	152371	Rope Guide			

WARNING THOROUGHLY READ OPERATOR'S MANUAL AND COMPLETELY ASSEMBLE ALL LOOSE PARTS BEFORE OPERATING MOWER.

WARNING DO NOT OPERATE YOUR MOWER UNLESS ALL PARTS ARE ATTACHED AND IN GOOD WORKING ORDER. KEEP YOUR MOWER IN GOOD REPAIR AT ALL TIMES.

NOTE: PARTS ARE RIGHT OR LEFT HAND AS VIEWED FROM THE OPERATOR POSITION

SPECIFICATIONS SUBJECT TO CHANGE WITHOUT PRIOR NOTICE

S/N 239127-239126
P/L 082639-082964
O/M 082823