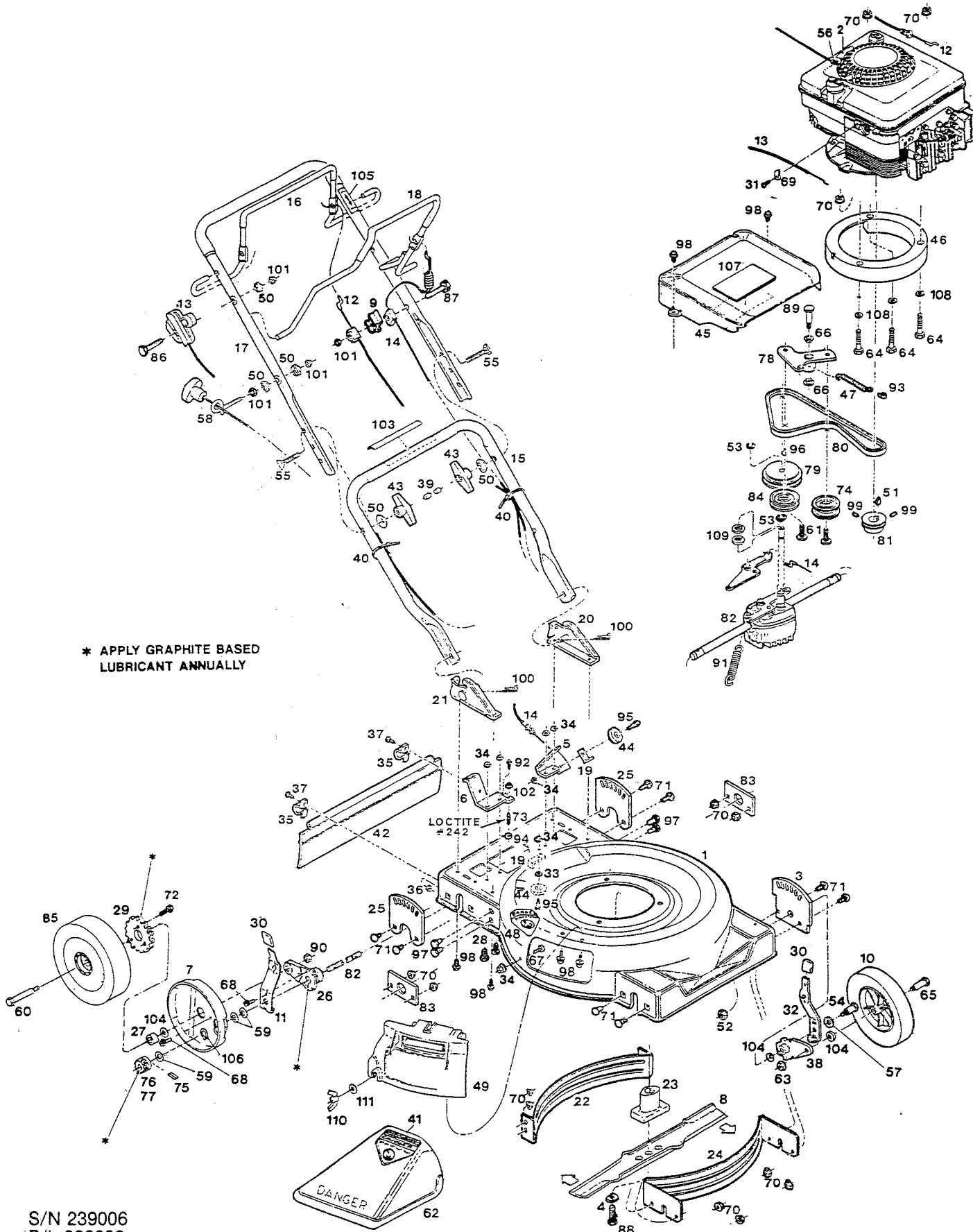


MODEL: A2571-N



S/N 239006
P/L 082822
O/M 082823

SELF PROPELLED MULCHING MOWER

Index No.	Part No.	Description	Index No.	Part No.	Description
1	023826	Deck 20" Mulcher	57	164020	Washer - Hardened
2	009415	Decal - Warning Blade Rotation	58	152371	Rope Guide
3	093146	Plate - Height Adjuster - Front	59	152553	Washer-Thrust 1/2
4	156919	Lockwasher - 3/8 H.D.	60	166744	Bolt - Wheel, Rear
5	088674	Bracket - Pulley Mounting	61	154369	Bolt - 3/8-16 x 1 1/4 Shaved Head
6	088658	Bracket - Trans Pulley	62	115295	Chute Deflector Assembly
7	115450	Cover - Drive Wheel	63	156406	Nut - Hex 3/8-16 Flange
8	031401	Blade - 20" Mulcher	64	382892	Bolt - Hex 5/16-18 x 2-1/4
9	115337	Spacer - Cable Mount	65	166740	Bolt - Wheel, Front
10	043231	Wheel - 8" x 2" Plastic	66	156653	Bearing - Flange Nylon
11	095320	Lever - Setting Hght. Adj.	67	166631	Stud - 1/4-20 Loctite
12	053097	Cable - Engine/Blade Control	68	457192	Screw - #10-32 x 1/2 Tap
13	053066	Cable - Throttle Control	69	157552	Clamp - Cable
14	052522	Cable - Drive Engagement	70	157610	Locknut - Flange 5/16-18
15	072991	Handle - Lower	71	158907	Bolt - Carriage 5/16-18 x 5/8
16	104687	Bail - Engine/Blade Control	72	459677	Screw - #8-9 x 1-1/8
17	073197	Handle - Upper	73	163840	Stud - Short
18	089615	Bail - Ground Drive	74	170621	Pulley - Idler, Flat
19	096305	Bracket Cable Retainer	75	171041	Dog - Drive
20	093161	Bracket - Handle LH	76	093351	Gear - Drive RH
21	093153	Bracket - Handle RH	77	093369	Gear - Drive LH
22	037080	Baffle - Rear	78	171496	Arm - Idler
23	093443	Blade Adapter	79	171819	Pulley - 2 Speed
24	087288	Baffle - Front	80	300027	V-Belt
25	093120	Plate - Height Adjuster - Rear	81	095432	Pulley - Engine
26	095431	Wheel Arm - Drive	82	300029	Transmission Assembly
27	164889	Spacer - 1/2	83	095456	Support - Wheel Hub
28	457044	Bolt - 1/4-20 x 1/2	84	305367	Pulley - Idler V-Groove
29	171157	Gear - Drive Wheel	85	043233	Wheel - 8" x 2" Plastic - Rear
30	114462	Tip - Plastic	86	150433	Bolt - Hex Head 1/4-20 x 2
31	166640	Screw - Hex Slotted #10 x 5/8	87	153874	Bolt - Hex Head 1/4 x 20 x 2-1/4
32	092817	Lever Height Adjuster - Front	88	164533	Bolt - Blade 3/8-24 x 2 1/2 Gr. 8
33	158956	Washer - 1/4	89	381665	Bolt - Shoulder
34	715078	Nut - 1/4-20 Flange Lock	90	715391	Nut - 3/8-16 Hex
35	106914	Clip-Trailing Shield	91	381780	Spring - Transmission Return
36	452318	Nut #10-24 Hex Nylon Insert	92	150326	Screw #10-24 x 1/2 Hex Slot Head
37	458687	Bolt #10-24 x 1/2	93	381889	Clip - "U" Tinnerman
38	091819	Wheel Arm - Front	94	382150	Spacer
39	110064	Cap - Plastic Bolt	95	158683	Bolt - Shoulder 1/4-20
40	110379	Cable Tie	96	446450	Key - Woodruff
41	143115	Decal - Danger	97	159780	Bolt - Hex 5/16-18 x 5/8 Flange
42	114421	Trailing Shield - Plastic	98	164998	Bolt - 1/4-20 x 1/2 Thread Forming
43	115540	Wing Nut - Plastic	99	315093	Screw Set 5/16-18 x 1/4
44	112177	Pulley - Drive Cable	100	715011	Hairpin Cotter
45	115490	Cover - Transmission	101	715037	Nut - 1/4-20 Keps
46	115485	Spacer - Engine	102	715334	Nut #10-24 Keps
47	135665	Spring - Extension	103	799599	Decal - Starting Instructions
48	144063	Decal - Warning CPSC	104	715607	Washer - Belleville
49	093922	Mulch Cover Assembly	105	794412	Decal - Drive Control
50	150201	Washer - Curved 5/16	106	153940	Ring - Transmission - Axle
51	150276	Woodruff Key #6	107	799833	Decal - Heat Reflector
52	715441	Nut 3/8-16 Twin Whiz	108	150771	Washer - 5/16
53	151282	Ring - Transmission - Top	109	162289	Spacer - Notched
54	164897	Bolt - Shoulder	110	587998	Wing Nut
55	151936	Bolt - Curved Head 5/16-18 x 2 1/4	111	615690	Washer - 1/4 Flat
56	152074	Rope Stop			



THOROUGHLY READ OPERATOR'S MANUAL AND COMPLETELY ASSEMBLE ALL LOOSE PARTS BEFORE OPERATING MOWER.



DO NOT OPERATE YOUR MOWER UNLESS ALL PARTS ARE ATTACHED AND IN GOOD WORKING ORDER. KEEP YOUR MOWER IN GOOD REPAIR AT ALL TIMES.

NOTE: PARTS ARE RIGHT OR LEFT HAND AS VIEWED FROM THE OPERATOR POSITION

SPECIFICATIONS SUBJECT TO CHANGE WITHOUT PRIOR NOTICE

S/N 239006
P/L 082822
O/M 082823