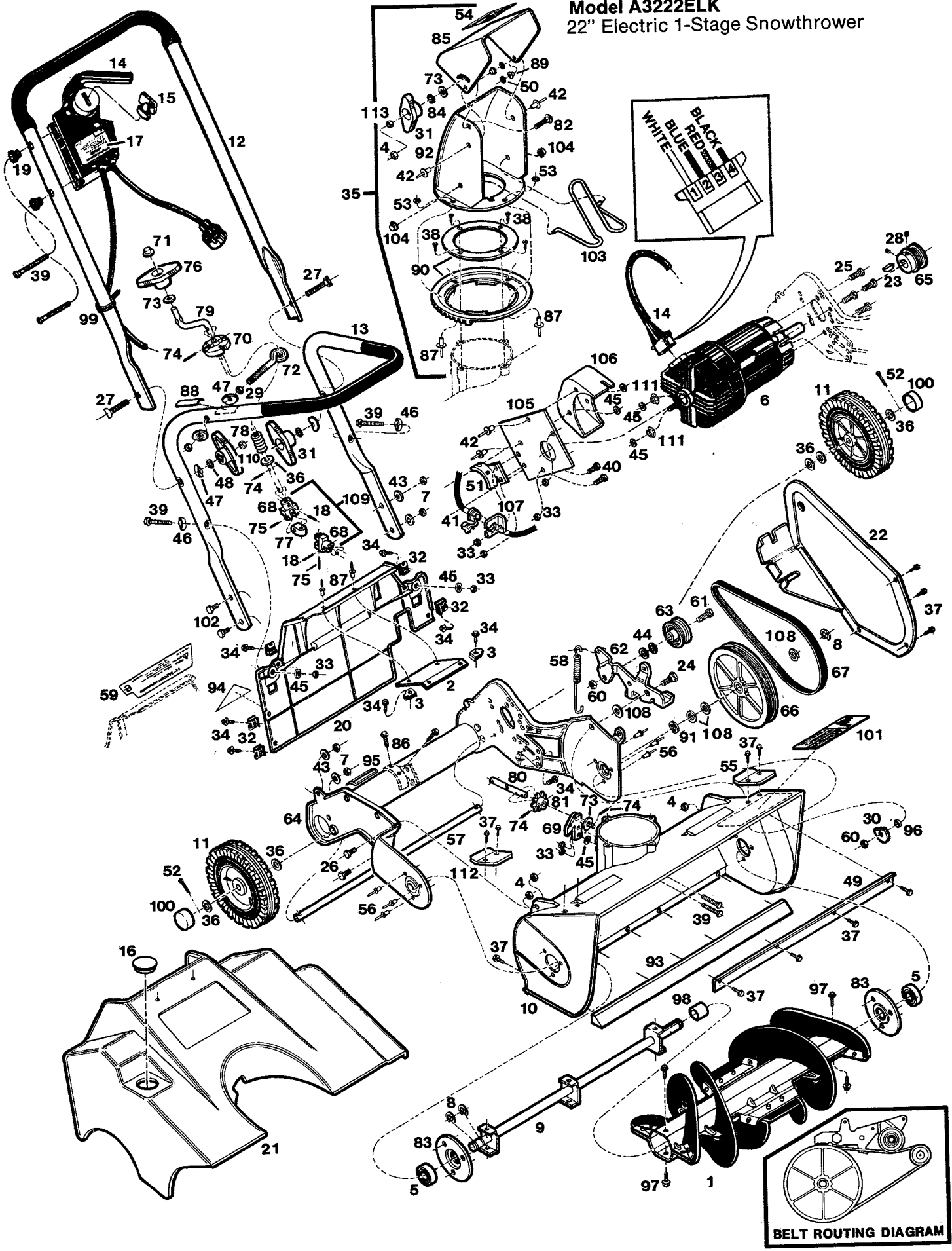


Model A3222ELK
22" Electric 1-Stage Snowthrower



P/L 688895
 S/N 601484

Model A3222ELK
22" Electric 1-Stage Snowthrower

Ref. No.	Part No.	Description
1	712620	Auger Assembly NOTE: Individual parts for this assembly are available to authorized service centers.
2	772749	Support Bracket - Panel
3	452383	Nut - Tinnerman
4	715490	Nut - 5/16-18 Top Lock
5	423756	Bearing
6	610097	Motor Electric
7	715508	Nut - 1/4-20 Top Lock
8	789883	Retaining Ring
9	712588	Shaft Assembly
10	672006	Housing Auger
11	041129	Wheel - 6" Plastic
12	657528	Handle - Upper
13	657510	Handle Lower
14	630046	Switch - Motor Control
15	672238	Key - Switch
16	672402	Hole Plug
17	677377	Decal - Starting Instructions
18	489955	Pin - Roll 5/32 x 5/8
19	111732	Insulator Handle
20	697607	Panel - Back
21	697151	Cover - Motor
22	697482	Cover Assembly - Belt
23	150276	Key - Woodruff #6
24	156935	Bolt - Shoulder 3/8-16 x 1
25	153593	Bolt - 5/16-18 x 1/2
26	450429	Bolt - 5/16-18 x 5/8
27	151936	Bolt - 5/16-18 x 2-1/4 Curved
28	159608	Set Screw 5/16
29	715490	Nut Eslock 5/16-18
30	662197	Washer - Back Up
31	672907	Knob - Wing 5/16"
32	452375	Nut - Tinnerman
33	452318	Nut - 10-24 Hex Nylock
34	150623	No. 10 x 5/8 Special Screw
35	715305	Chute Assembly
36	462309	Washer - 3/8
37	459347	Screw - 10-9 x 5/8 Hex Washer Head
38	459354	Screw - 10-9 x 5/8 Flat Head
39	459446	Screw - 10-24 x 1-1/2 Hex Washer Head
40	525337	Screw - 10-24 x 1/2 Hex
41	447771	Strain Relief
42	154534	Pop-Rivet 3/16" Aluminum
43	460584	Washer - 1/4
44	150771	Washer - 7/8 x 13/32
45	715136	Washer - No. 10 Flat SAE
46	461004	Washer - 7/8 Curved
47	150201	Washer - 5/16 Curved
48	461665	Washer - 5/16 Shakeproof
49	463984	Baffle - Auger Housing
50	153734	Washer - Back Up
51	697839	Bracket - Motor
52	715029	Cotter Pin
53	462051	Washer - .129 ID
54	677690	Decal - Danger Discharge Chute

Ref. No.	Part No.	Description
55	645903	Tab
56	764225	Pop Rivet 3/16 x 3/8
57	662221	Axle
58	665125	Spring - Idler Arm
59	677070	Decal - Control Panel
60	715524	Nut - 3/8-16 Center Lock Jam
61	159020	Bolt - 3/8-16 x 1-1/2 Hex
62	663872	Idler Arm
63	672923	Idler Pulley
64	697334	Frame Assembly
65	665182	Pulley - Motor
66	672469	Pulley - Auger
67	707117	Belt
68	763383	Clevis - U-Joint
69	772434	Bracket - Chute Adjustment
70	772566	Detent - Chute Adjustment
71	152579	Push Nut - 5/16
72	459339	Eyebolt
73	715185	Washer - 5/16 Flat
74	489088	Pin - Roll 5/32 x 3/4
75	489260	Pin - 5/32 x 7/8
76	672915	Knob - Wing
77	751172	Connector - U-Joint
78	775676	Spring - Detent
79	664854	Crank - Chute Discharge Control Guide
80	418053	Shaft - Sprocket
81	707844	Sprocket - Drive
82	312256	Bolt - 5/16-18 x 1-3/4 Carriage
83	790725	Retainer - Bearing
84	156430	Washer - Ex. Tooth
85	672873	Deflector - Chute
86	155218	Screw - #10-24 x 1/2 Hex
87	764217	Pop Rivet - 1/8
88	679324	Decal - Chute Control
89	764241	Eyelet
90	673541	Chute Gear/Ring (black)
91	154211	Washer - spring
92	672881	Chute
93	672550	Bar - Scraper
94	677948	Decal - OPEI B71.3-1984
95	677880	Decal UL Snow Thrower
96	468652	Spacer 5/8-.385 x .187
97	458539	Screw - No. 10-24 x 3/8 Thread Forming
98	468660	Spacer - 1/2 x .065 x 1"
99	110379	Cable Tie
100	672345	Hub Cap
101	677682	Decal - Auger Housing
102	715052	Bolt - 1/4-20 x 1/2 Hex Head
103	663674	Guard - Chute
104	715102	Ring - 3/16 Push on
105	029942	Bracket - Motor Mounting Plate
106	111807	Cover - Motor Plug
107	664144	Bracket
108	152553	Washer - Hardened
109	712018	U-Joint Assembly