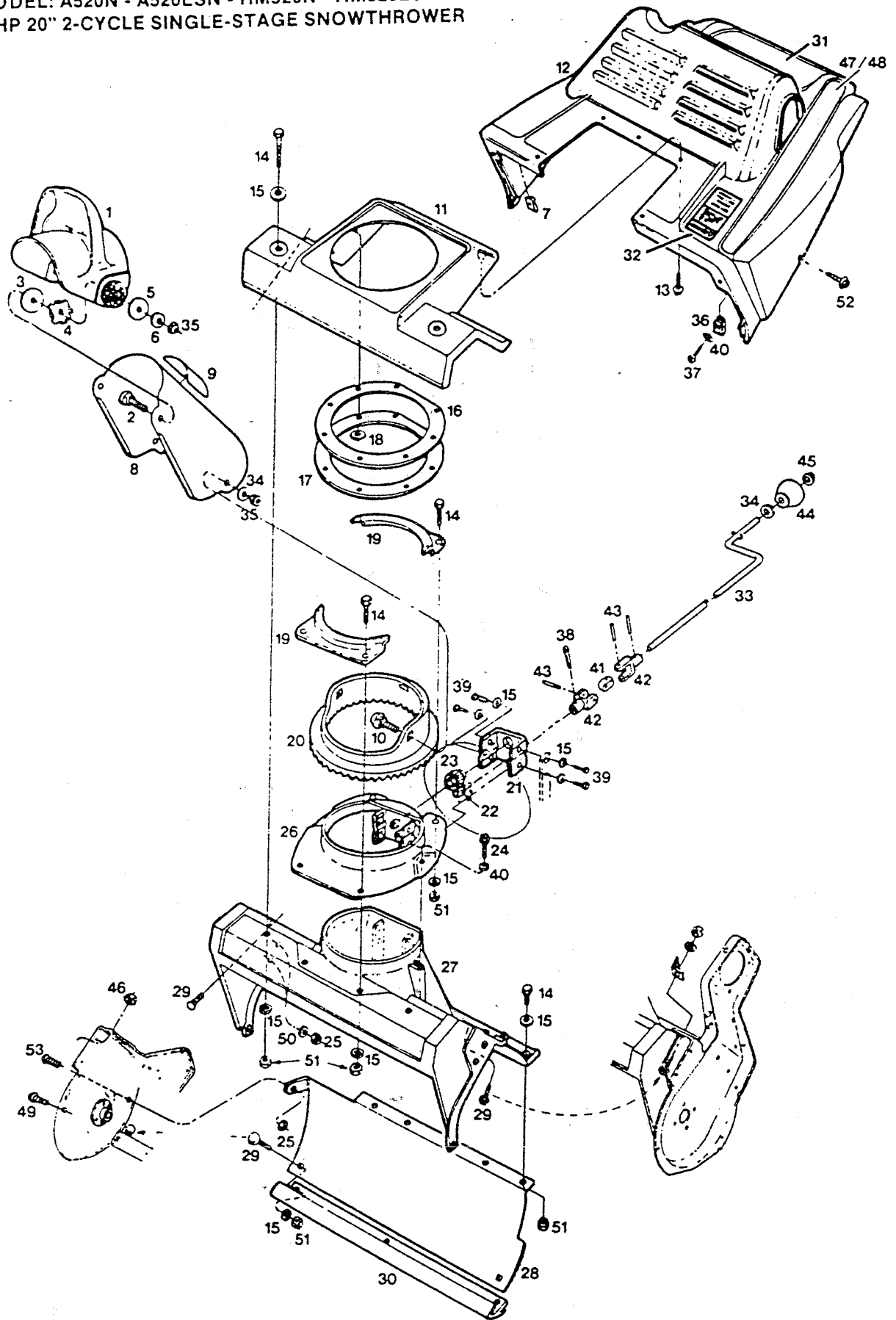


MODEL: A520N - A520ESN - HM520N - HM520ESN
 5 HP 20" 2-CYCLE SINGLE-STAGE SNOWTHROWER



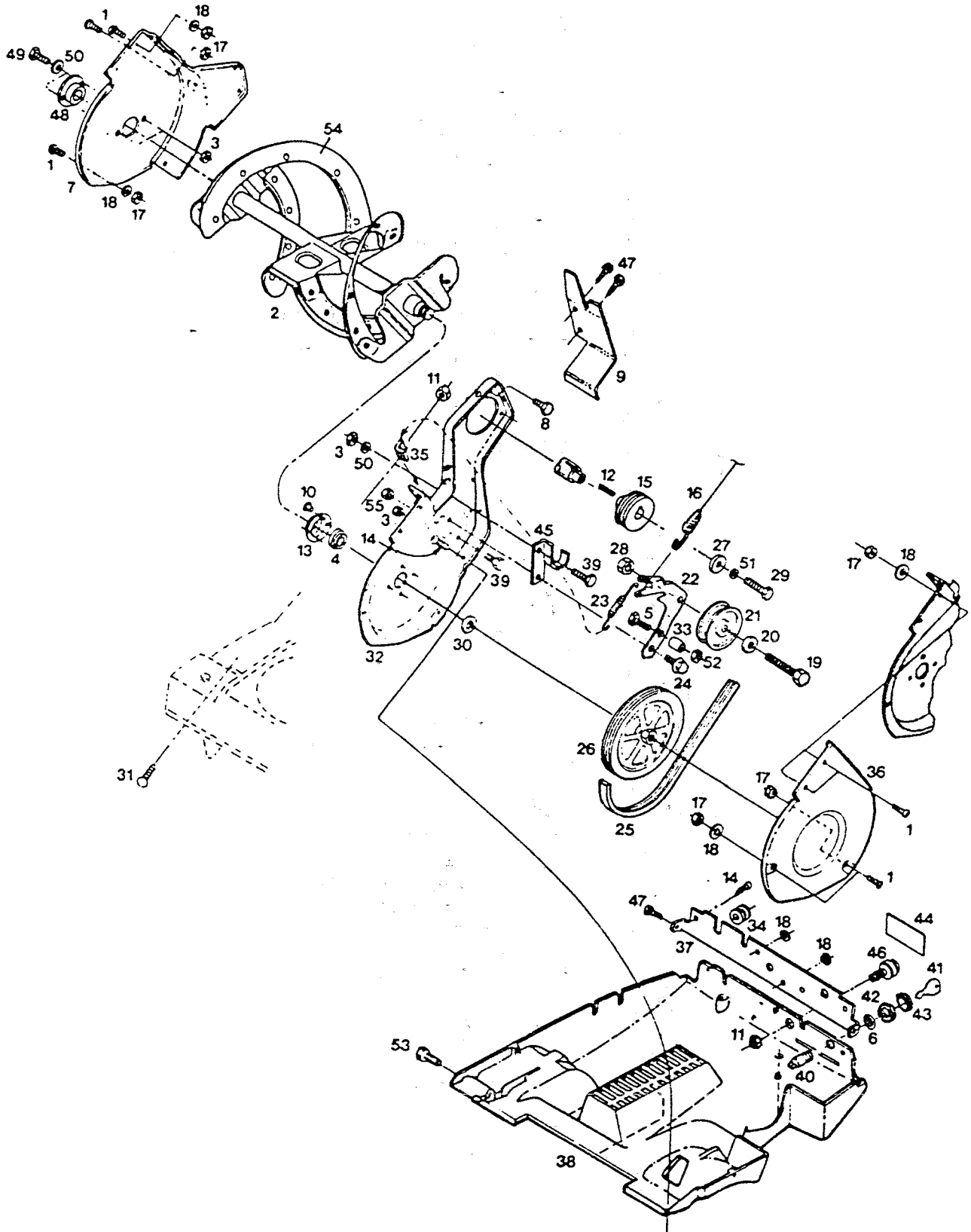
S/N 603240 - 603241
 603239 - 603227
 O/M 690213
 P/L 651244 - 690212

AUGER HOUSING & CHUTE GROUP

Index No.	Part No.	Description
1	586998	DEFLECTOR - Chute
2	313502	BOLT - Carriage 5/16 - 18 x 1
3	587050	WASHER - Flat Rubber
4	586999	WASHER - Octagon
5	583324	WASHER - Flat 5/16
6	587051	WASHER - Belleville
7	582093	CLIP - U
8	587115	CHUTE - Discharge (Includes Index No. 9)
9	677690	DECAL - Danger
10	583095	BOLT - Carriage 5/16 - 18 x 5/8
11	587008	COWLING - Transition
12	646088	COVER - Engine
13	382924	SCREW - Thread Form. #10 x 5/8
14	159004	SCREW - Hex 1/4 - 20 x 3/4
15	615690	WASHER - Flat 1/4
16	587009	GASKET - Chute
17	587096	RETAINER - Gasket
18	583216	NUT - Push On
19	587097	RETAINER
20	586994	BASE - Chute
21	698986	BRACKET - Gear
22	646090	DRIVE - Gear <i>699017</i>
23	587002	GEAR - Idler
24	587053	SCREW - Plastite #12 - 14 x 1
25	452318	NUT - Flange 1/4 - 20
26	698987	PLATE - Chute Base
27	588735	HOUSING - Auger
28	587041	SCOOP
29	583108	BOLT - Carriage 1/4 - 20 x 3/4
30	587033	SCRAPER - Bar
31	690209	DECAL - Console (Electric Start)
	690217	DECAL - Console (Manual Start)
32	795351	DECAL - Danger, Auger
33	667862	HANDLE - Chute Rotate
34	715185	WASHER - Flat 5/16
35	310151	NUT - Nylock 5/16 - 18
36	583203	CLIP - U # 10
37	583045	SCREW - Hex #10 - 16 x 1-1/2
38	317016	PIN - Cotter 1/8 Dia.
39	583050	SCREW - Hex 1/4 - 20 x 5/8
40	715136	WASHER - Flat #10
41	751172	CONNECTOR - U-Joint
42	699010	CLEVIS - U-Joint
43	489260	PIN - Spiral
44	646097	KNOB - Chute Rotate Handle
45	152579	NUT - Pal 5/16
46	715037	NUT - Keps 1/4 - 20
47	690238	DECAL - Logo R.H. Atlas
	690210	DECAL - Logo R.H. Homelite
48	690239	DECAL - Logo L.H. Atlas
	690235	DECAL - Logo L.H. Homelite
49	582972	SCREW - Phillips 10 - 24 x 5/8
50	586447	WASHER - Flat
51	452615	NUT - Nylock 1/4-20
52	166750	SCREW - Plastite 3/16 x 3/4
53	457093	SCREW - Phillips #10 - 24 x 7/16

S/N 603240 - 603241
 603239 - 603227
 E/M 690213
 O/M 651244 - 690212

MODEL: A520N - A520ESN - HM520N - HM520ESN
5 HP 20" 2-CYCLE SINGLE-STAGE SNOWTHROWER



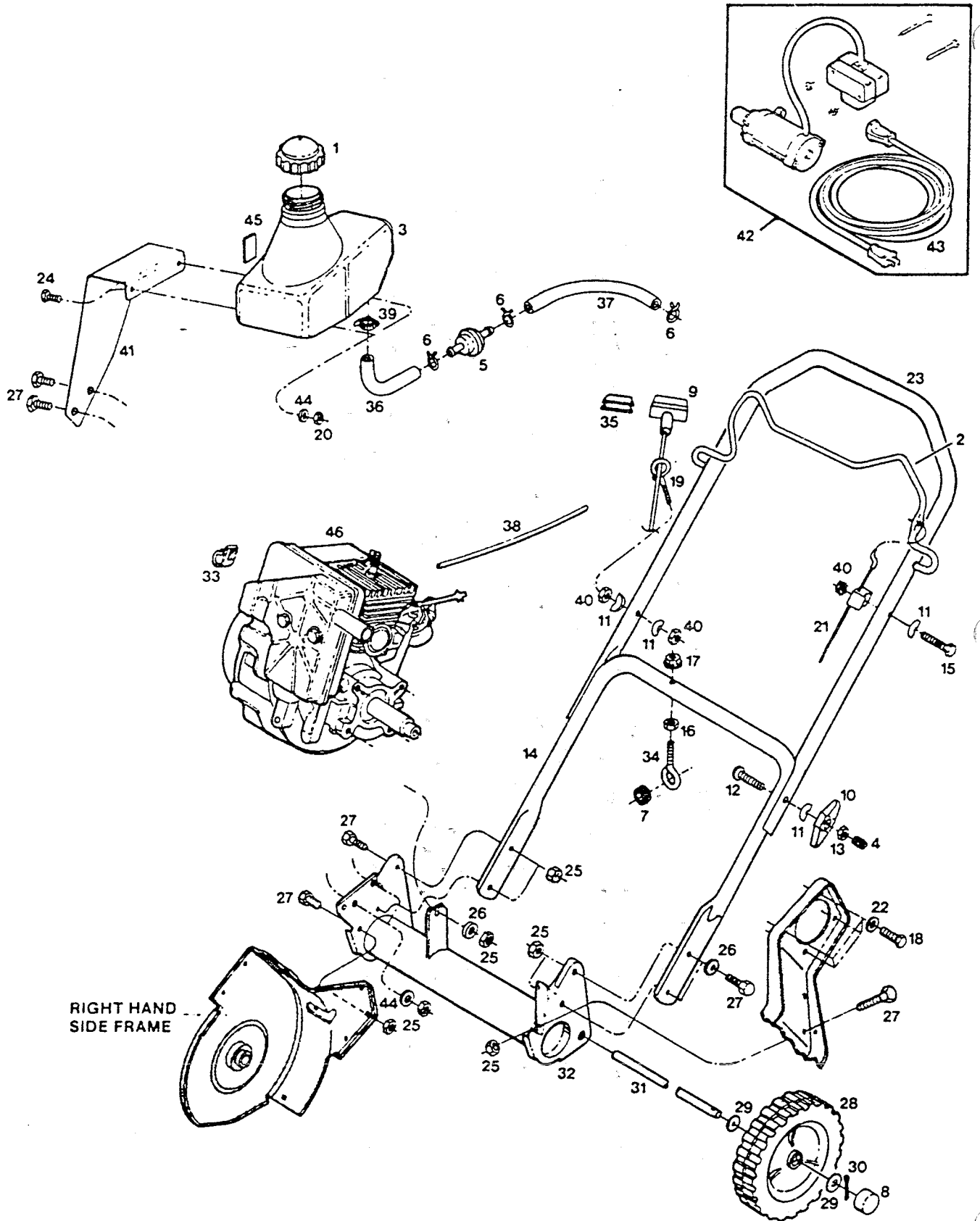
S/N 603240 - 603241
603239 - 603227
E/M 690213
O/M 651244 - 690212

AUGER & DRIVE GROUP

Index No.	Part No.	Description
1	582972	SCREW - Phillips #10 - 24 x 5/8"
2	613499	AUGER - Assembly
3	452615	NUT - 1/4 - 20 Nylock
4	578884	BEARING
5	715292	BOLT - Hex 1/4 - 20 x 1
6	311241	WASHER - 5/8 Internal Tooth
7	587213	FRAME - Right Side
8	380865	BOLT - Hex 5/16 - 24 x 5/8
9	698991	SHIELD - Belt
10	583462	RIVET - 1/4
11	715037	NUT - Keps 1/4 - 20
12	166732	KEY - .1865 Sq. x 1
13	699011	RETAINER - Bearing
14	380543	SCREW - H.W.H. Tap #10 - 24 x 3/4
15	709616	PULLEY - Drive
16	646085	CABLE - Auger Control
17	452318	NUT - #10 - 24
18	586447	WASHER - Retaining
19	582880	BOLT - Hex 3/8 - 16 x 1-1/2
20	715417	WASHER - Flat 3/8
21	645994	PULLEY - Idler
22	698985	ARM - Idler
23	586918	SPRING - Extension
24	581779	BOLT - Idler Pivot
25	709614	BELT - Drive
26	087981	PULLEY - Drive
27	158212	WASHER - Flat
28	156406	NUT - Serrated Flange Lock 3/8
29	163741	BOLT - Hex 5/16 - 24 x 7/8 Gr. 5
30	581785	SPACER
31	583108	BOLT - Carriage 1/4 - 20 x 3/4
32	698983	FRAME - Left Side
33	613503	ROLLER - Belt Stop
34	587060	GROMMET - Metal
35	582044	CLIP - Spring
36	587124	GUARD - Belt
37	698988	BRACKET - Control Panel
38	646101	COWLING - Lower, Electric Start
	646091	COWLING - Lower, Manual Start
39	159004	BOLT - Hex 1/4 - 20 x 3/4
40	630186	SWITCH - Ignition
41	304352	KEY - Ignition
42	310102	NUT - Hex Ignition Switch 5/8 -32
43	112698	BOOT - Ignition Switch
44	689422	DECAL - Choke
45	658055	BRACKET - Belt
46	645762	PRIMER - Bulb
47	151118	SCREW - H.W.H. Tap #10 - 24 x 1/2
48	709615	BEARING - Plastic
49	155341	BOLT - Hex 1/4 - 20 x 7/8 Gr. 5
50	615690	WASHER - Flat 1/4
51	311118	WASHER - Split Lock 5/16
52	616375	NUT - 1/4 - 20 Center Lock
53	583050	SCREW - Hex 1/4 - 20 x 5/8
54	397237	KIT - Auger Flighting
55	310151	NUT - 5/16 - 18 Nylock

S/N 603240 - 603241
 603239 - 603227
 E/M 690213
 O/M 651244 - 690212

MODEL: A520N - A520ESN - HM520N - HM520ESN
 5 HP 20" 2-CYCLE SINGLE-STAGE SNOWTHROWER



RIGHT HAND
 SIDE FRAME

S/N 603240 - 603241
 603239 - 603227
 E/M 690213
 O/M 651244 - 690212

FRAME & HANDLE GROUP

Index No.	Part No.	Description
1	673822	CAP - Tank
2	658054	BAIL - Auger Control
3	646086	TANK - Fuel
4	110064	CAP - Plastic Bolt
5	432625	FILTER - Gas
6	303859	CLAMP - Wireform
7	672220	GROMMET - Eyebolt
8	672345	CAP - Hub
9	645796	HANDLE - Starter Rope
10	113589	KNOB - Wing
11	150201	WASHER - Curved 5/16
12	151936	BOLT - Curved Head 5/16 - 18 x 2-1/4
13	310045	NUT - 5/16 - 18
14	658052	HANDLE - Lower
15	150433	BOLT - Hex 1/4 - 20 x 2
16	715391	NUT - Hex 3/8 - 16
17	156406	NUT - Flange Lock 3/8 - 16
18	380865	BOLT - Hex 5/16 - 18 x 5/8
19	152371	GUIDE - Rope
20	452615	NUT - Nylock 1/4 - 20
21	646085	CABLE - Auger Control
22	311118	WASHER - Lock 5/16
23	023850	HANDLE - Upper
24	159004	BOLT - Hex 1/4 - 20 x 3/4
25	310151	NUT - Nylock 5/16 - 18
26	715185	WASHER - Flat 5/16 (Left Side Only)
27	450346	BOLT - Hex 5/16 - 18 x 3/4
28	043227	WHEEL & TIRE
29	715417	WASHER - Flat
30	715029	PIN - Cotter 1/8 x 3/4
31	581777	SHAFT - Axle
32	698984	FRAME - Tube
33	819714	CLIP - Retainer
34	166731	EYEBOLT - Chute Rotate
35	667477	INSERT - Metal Handle
36	689604	HOSE - Fuel 3-1/4" Lg.
37	689612	HOSE - Fuel 8" Lg.
38	646098	HOSE - Fuel 7-1/2" Lg. ,Primer
39	162404	CLAMP - Wormdrive
40	715037	NUT - Keps 1/4 - 20
41	667850	BRACKET - Fuel Tank
42	610268	KIT - Electric Start
43	630483	CORD - Extension 10'
44	615690	WASHER - Flat 1/4
45	446799	PAD - Rubber
46	*	ENGINE - Two Cycle 5 Hp.

*Contact engine manufacturer's authorized service dealer for parts and warranty.

S/N 603240 - 603241
 603239 - 603227
 E/M 690213
 O/M 651244 - 690212