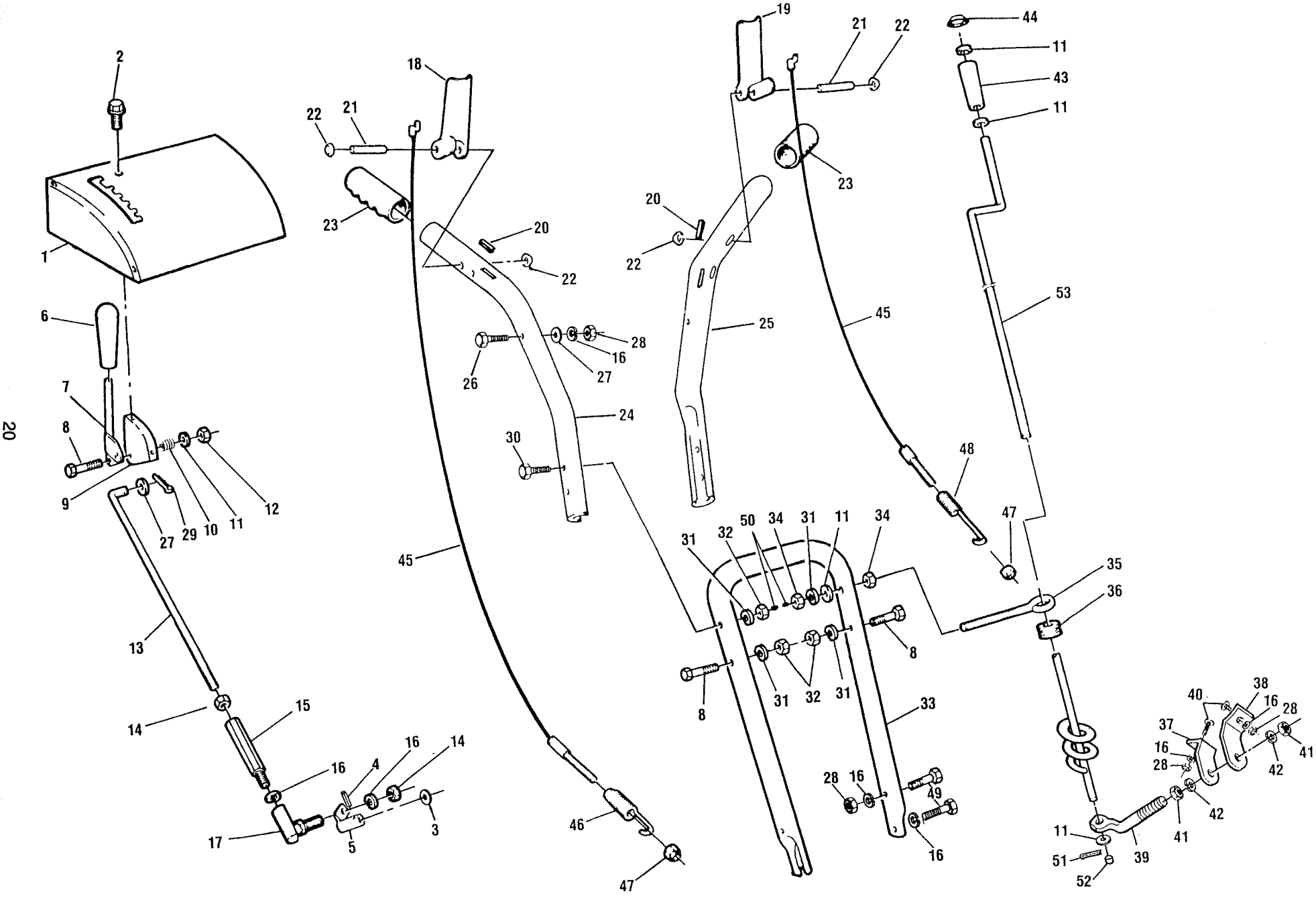


# Upper Handle Assembly

For Models - A5230F, A5250F, A8250F



20

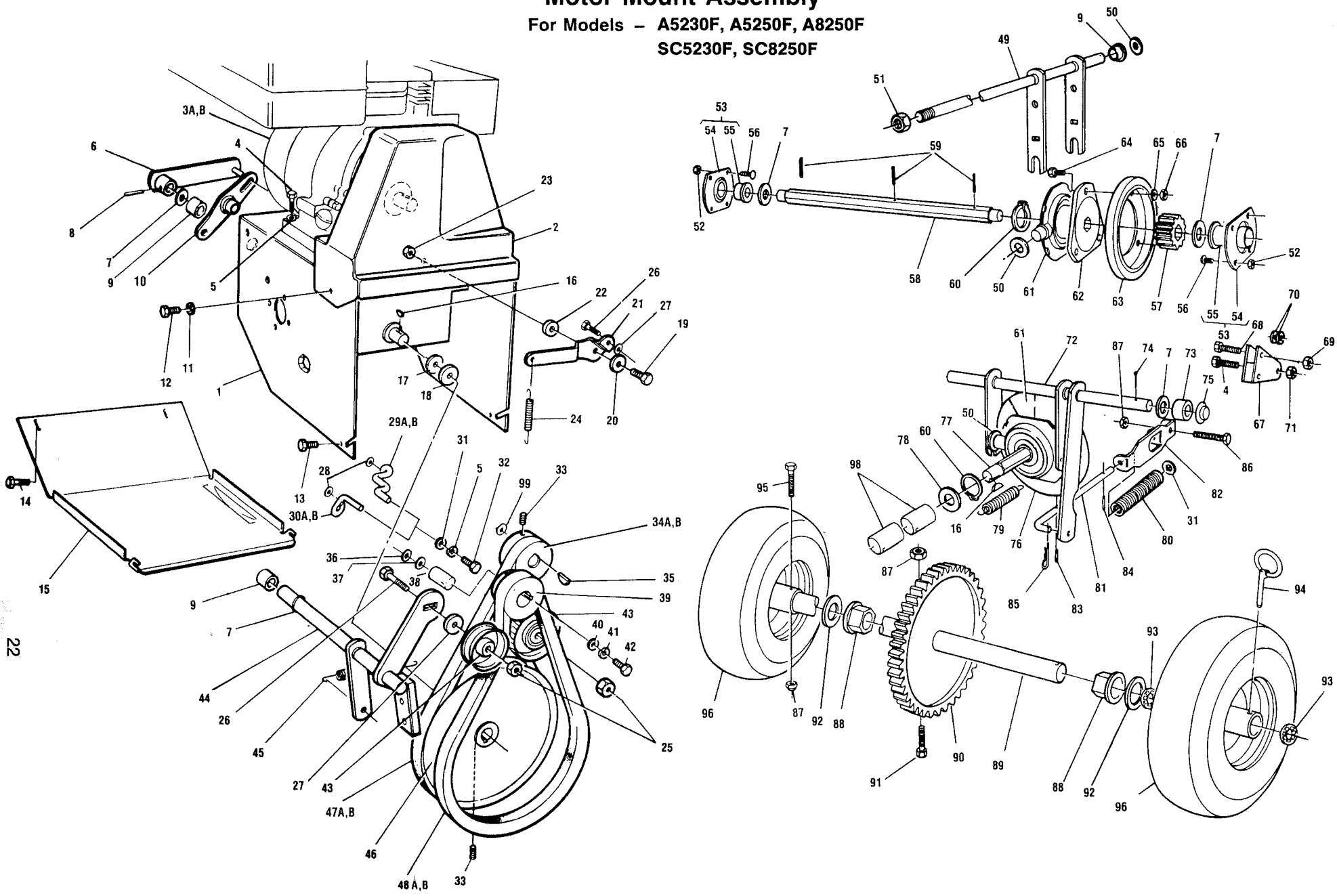
## Upper Handle Assembly

For Models - A5230F, A5250F, A8250F

Ref. No.	Part No.	Description
1	665067	Control panel
2	315085	5/16-18 x 1/2 self tapping screw
3	153155	Washer
4	153106	5/32 x 7/8 roll pin
5	662452	Lever speed control
6	744243	Control knob
7	662726	Speed control lever
8	312322	3/8-16 x 1-3/4 bolt
9	662734	Bracket speed control
10	645630	Spring
11	715417	3/8 flat washer
12	451195	3/8-16 locknut
13	662767	Rod speed control
14	152934	5/16-24 hex nut
15	664763	Adaptor
16	311118	5/16 lockwasher
17	707372	Ball joint
18	662759	Clutch handle R.H.
19	662742	Clutch handle L.H.
20	657494	Bumper
21	663542	Pivot pin
22	153767	5/16 cap retainer
23	707315	Handle grip
24	657460	Upper handle R.H.
25	657478	Upper handle L.H.
26	312280	5/16-18 x 1-3/4 bolt
27	715185	5/16 flat washer
28	310045	5/16-18 hex nut
29	715029	3/32 x 3/4 cotter pin
30	456780	3/8-16 x 3 bolt
31	150185	3/8 lockwasher
32	715391	3/8-16 hex nut
33	657247	Lower handle
34	715524	3/8-16 jam nut
35	458984	3/8 eye bolt
36	672220	Grommet
37	697664	Bracket chute rotate L.H.
38	697672	Bracket chute rotate R.H.
39	697680	Rod chute control
40	313510	5/16-18 x 3/4 carriage bolt
41	157339	1/2-20 jam nut
42	311035	1/2 lockwasher
43	672253	Handle crank
44	152926	3/8 cap retainer
45	645614	Clutch cable
46	645622	Spring auger clutch
47	150391	1/4-20 locknut
48	662874	Spring drive clutch
49	312066	5/16-18 x 3/4 bolt
50	672964	Plastic stop
51	151472	3/32-1 cotter pin
52	672956	Plastic cap
53	662791	Crank

# Motor Mount Assembly

For Models - A5230F, A5250F, A8250F  
SC5230F, SC8250F



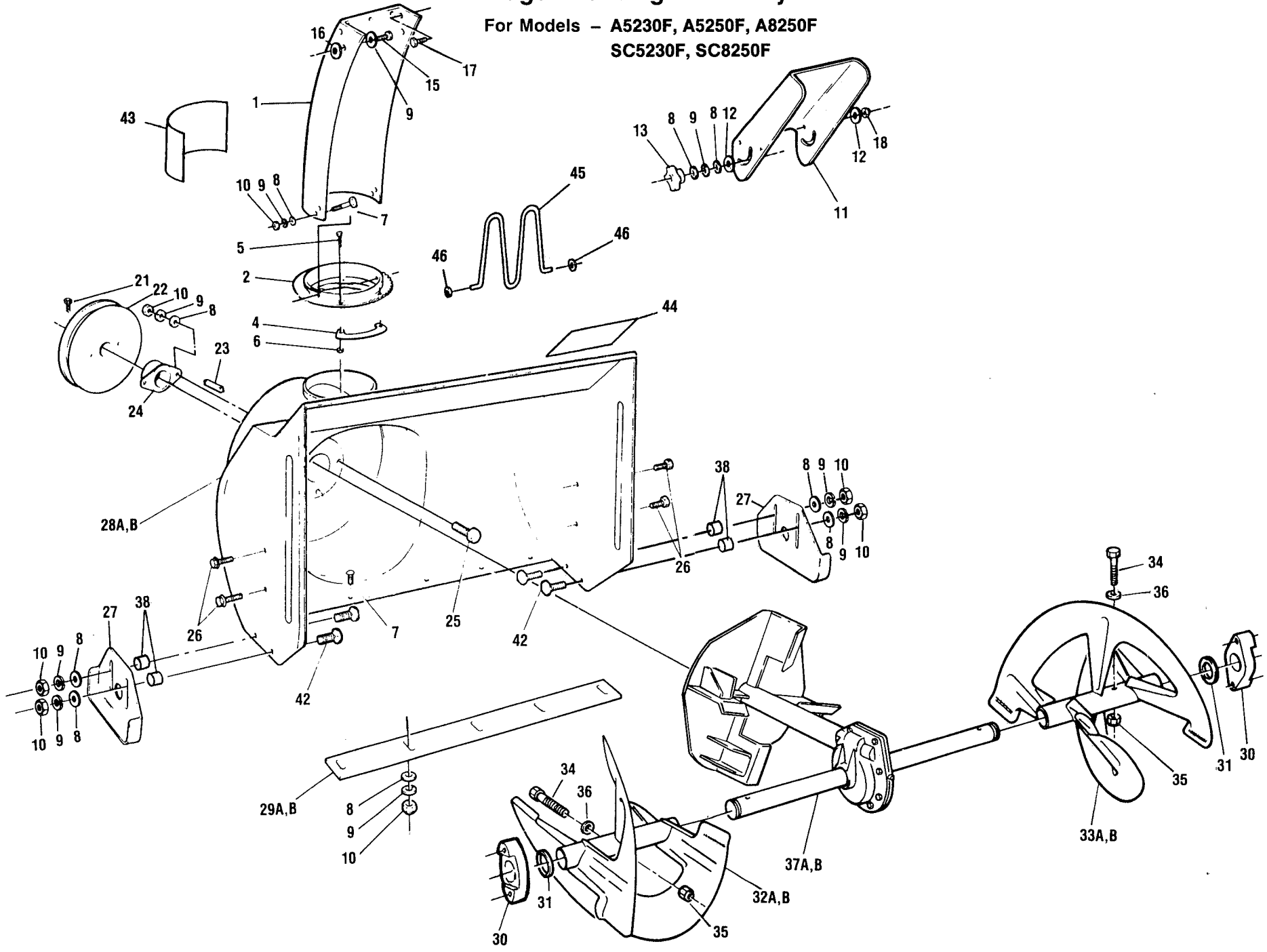
## Motor Mount Assembly

Index for Models - A5230F, A5250F, A8250F  
SC5230F, SC8250F

Ref. No.	Part No.	Description	Ref. No.	Part No.	Description
1	712992	Motor mount frame	49	662437	Speed control shaft
2	707307	Belt cover (black)	50	153155	Washer
3A		5 HP Tecumseh engine	51	310011	3/8-16 locknut
3B		8 HP Tecumseh engine	52	715334	10-24 keps nut
4	150045	5/16-18 x 1-1/4 bolt	53	707182	Bearing assembly
5	311118	5/16 lockwasher	54	707398	Flange bearing
6	662973	Lever auger clutch	55	707380	Bearing
7	460824	1/2 - flat washer	56	153163	10-24 x 3/8 carriage bolt
8	153106	5/32 x 7/8 roll pin	57	707174	Pinion 8 tooth
9	672204	Plastic bushing	58	707166	Hex shaft
10	662981	Lever clutch cable	59	314112	1/8 x 3/4 roll pin
11	715300	1/4 - flat washer	60	153262	1 1/4 - snap ring
12	153007	1/4-20 x 1/2 self tapping screw	61	662833	Trunion bearing assembly
13	315085	5/16-18 x 1/2 self tapping screw	62	662551	Hub friction wheel
14	153007	1/4-20 x 1/2 self tapping screw	63	707141	Friction wheel
15	662627	Bottom panel	64	153171	1/4-20 x 5/8 bolt
16	153080	Hypro key 3/16	65	715094	1/4 lockwasher
17	311282	5/8 - flat washer	66	310052	1/4-20 hex nut
18	664615	Race thrust	67	662387	Pivot traction
19	312086	5/16-18 x 3/4 bolt	68	525196	1/4-20 x 1 3/4 bolt
20	153247	5/16 x 1 3/8 x 14 GA washer	69	150391	1/4-20 locknut
21	707273	Lever idler traction	70	153569	Spacer
22	707067	Spacer	71	715177	5/16-18 locknut
23	715177	5/16-18 locknut	72	662478	Traction shaft assy.
24	662817	Spring	73	707109	Bushing
25	715524	3/8-16 hex jam nut	74	317016	1/8 x 1 cotter pin
26	153015	3/8-16 x 1 1/4 bolt	75	153205	1/2 - push nut
27	715417	3/8 - flat washer	76	662866	Disc drive
28	663484	Spacer belt retainer	77	664631	Traction hex shaft
29A	707877	Belt guide L.H. (5 HP)	78	664680	Bearing thrust
29B	662635	Belt guide L.H. (8 HP)	79	662858	Spring
30A	707885	Belt guide R.H. (5 HP)	80	662841	Spring traction
30B	662643	Belt guide R.H. (8 HP)	81	664649	Rod - traction
31	715185	5/16 - flat washer	82	662585	Bracket traction spring
32	153064	5/16-24 x 1 bolt	83	153122	1/8 x 1 3/8 spring pin
33	153049	5/16-18 x 1/2 set screw	84	153130	1/8 x 1/2 spring pin
34A	707240	PTO pulley (5 HP)	85	715029	3/32 x 3/4 cotter pin
34B	707406	PTO pulley (8 HP)	86	450353	1/4-20 x 1 1/4 bolt
35	15731	Key no. 5	87	152967	1/4-20 locknut
36	664615	Race thrust washer	88	707828	Bearing axle
37	153239	Washer	89	664656	Axle
38	672998	Spacer	90	664664	48 tooth gear
39A	170910	Pulley auger drive (5 HP)	91	153148	1/4-20 x 2 3/4 bolt
39B	707257	Pulley auger drive (8 HP)	92	153239	Washer
40	153031	Washer	93	663476	Grip ring
41	153023	3/8 lockwasher	94	153619	Clk pin
42	312363	3/8-24 x 1 bolt	95	312090	1/4-20 x 1 1/2 bolt GR5
43	170530	2" idler pulley	96	498451	Wheel
44	664623	Auger clutch rod	98	664672	Bearing needle
45	662825	Spring	99	153239	Washer
46	707216	Traction pulley 8"		662676	(Not shown) Tire chain kit Model 5230
47A	707229	Belt traction drive (5 HP unit)		409375	(Not shown) Tire chain kit Model 8250
47B	707810	Belt traction drive (8 HP unit)		630111	(Not shown) Electric start Model 5230
48A	707620	Belt auger drive (5 HP)		630129	(Not shown) Electric start Model 8250
48B	707232	Belt auger drive (8 HP)			

# Auger Housing Assembly

For Models - A5230F, A5250F, A8250F  
SC5230F, SC8250F

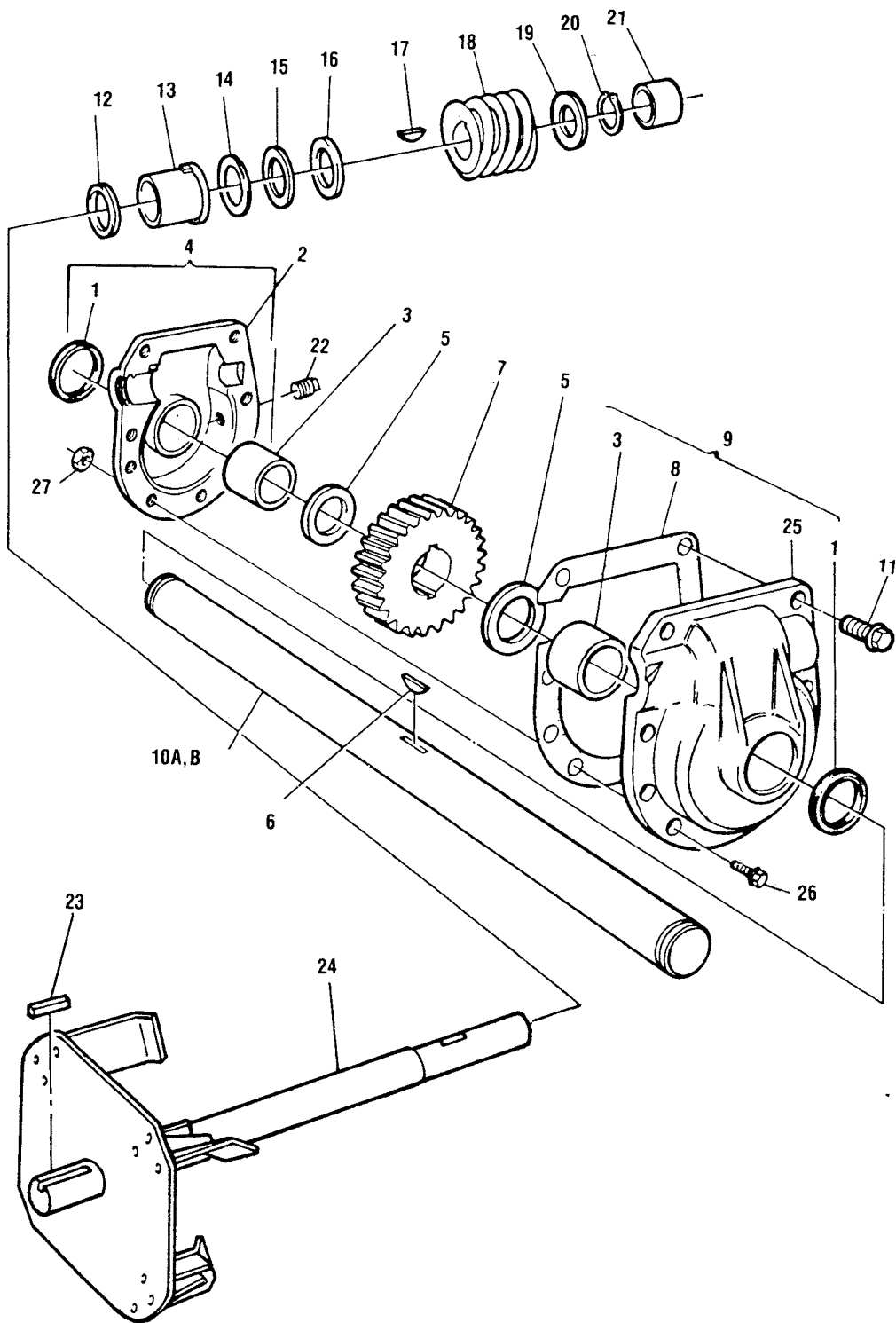


**Auger Housing Assembly**  
**Index for Models - A5230F, A5250F, A8250F**  
**SC5230F, SC8250F**

Reference No.	Part No.	Description
1	662684	Chute extension
2	662668	Flange
4	697698	Retainer
5	458232	8-32 x 1/2 bolt
6	154096	8-32 locknut
7	313510	5/16-18 x 3/4 carriage bolt
8	715185	5/16 flat washer
9	311118	5/16 lockwasher
10	310045	5/16 hex nut
11	697706	Chute deflector
12	672972	Plastic washer
13	707323	Wing knob
14	461996	7/16 flat washer
15	313502	5/16-18 x 1 carriage bolt
16	715417	3/8 flat washer
17	157321	5/16-18 x 3/4 pan head slotted bolt
18	310151	5/16-18 locknut
21	153577	5/16-18 x 3/4 bolt
22	707190	Auger pulley 6.5"
23	707943	3/16 key
24	662460	7/8 bearing
25	312074	5/16-18 x 5/8 bolt
26	457523	5/16-18 x 3/4 self tapping screw
27	662569	Height adjustor
28A	697714	Auger housing 23"
28B	697722	Auger housing 25"
29A	662429	23" scraper bar
29B	662445	25" scraper bar
30	707661	Bushing auger shaft
31	153387	Washer
32A	662510	23" serrated auger R.H.
32B	662528	25" serrated auger R.H.
33A	662502	23" serrated auger L.H.
33B	662536	25" serrated auger L.H.
34	152900	1/4-20 x 1-1/2 bolt - shear
35	152967	1/4-20 locknut
36	672980	Spacer
37A	713008	23" gear box assembly
37B	713016	25" gear box assembly
38	663484	Spacer
42	312066	5/16-18 x 3/4 bolt
43	677690	Decal - Danger
44	677682	Decal - Danger
45	662692	Hand guard
46	715102	Retainer - hand guard

# Gear Box Assembly

For Models - A5230F, A5250F, A8250F  
SC5230F, SC8250F



## Gear Box Assembly

Index for Models - A5230F, A5250F, A8250F, SC5230F, SC8250F

Reference No.	Part No.	Description
1	707471	Seal
2	707547	Housing L.H.
3	707463	Bearing
4	707455	Housing assembly L.H.
5	707430	Race thrust
6	153353	Key Woodruff #91
7	707422	Worm gear
8	707448	Gasket
9	707489	Housing assembly R.H.
10A	662494	25" auger shaft
10B	662486	23" auger shaft
11	153361	5/16-24 x 1-1/2 bolt
12	153346	Ring quad
13	153338	Bearing impeller shaft
14	153320	Race thrust
15	153312	Bearing needle
16	153304	Race thrust
17	153080	Key 3/16"
18	707513	Worm
19	152959	Race thrust
20	153296	Ring retainer
21	707505	Bearing impeller shaft
22	153288	Grease plug
23	707943	3/16" key
24	713024	Impeller shaft assy.
25	707539	Housing R.H.
26	153064	5/16-24 x 1 bolt
27	153189	5/16-24 flange locknut
	713008	23" gear box assembly (complete)
	713016	25" gear box assembly (complete)