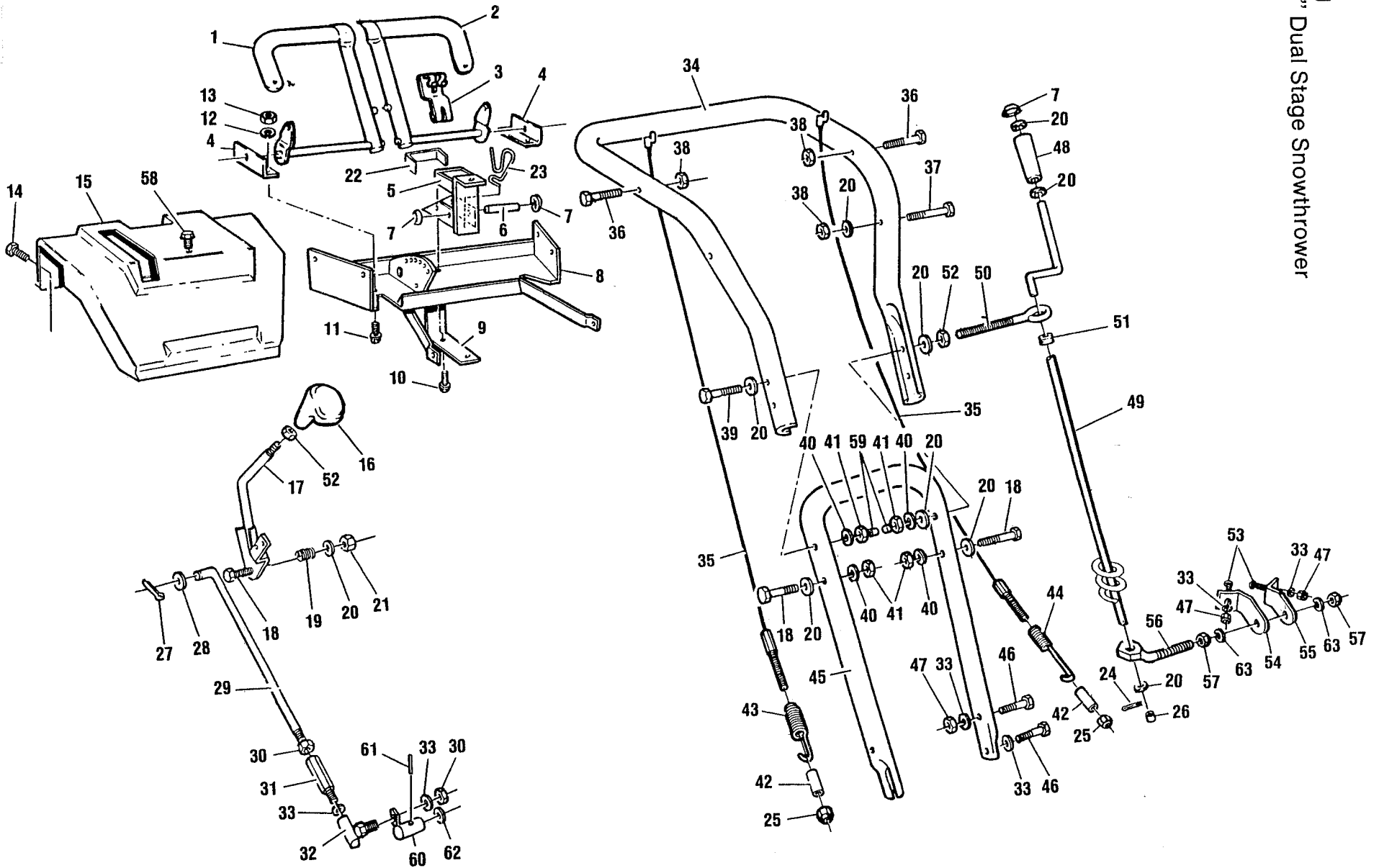


# Upper Handle Assembly

A5230 J  
5 Hp 23" Dual Stage Snowthrower



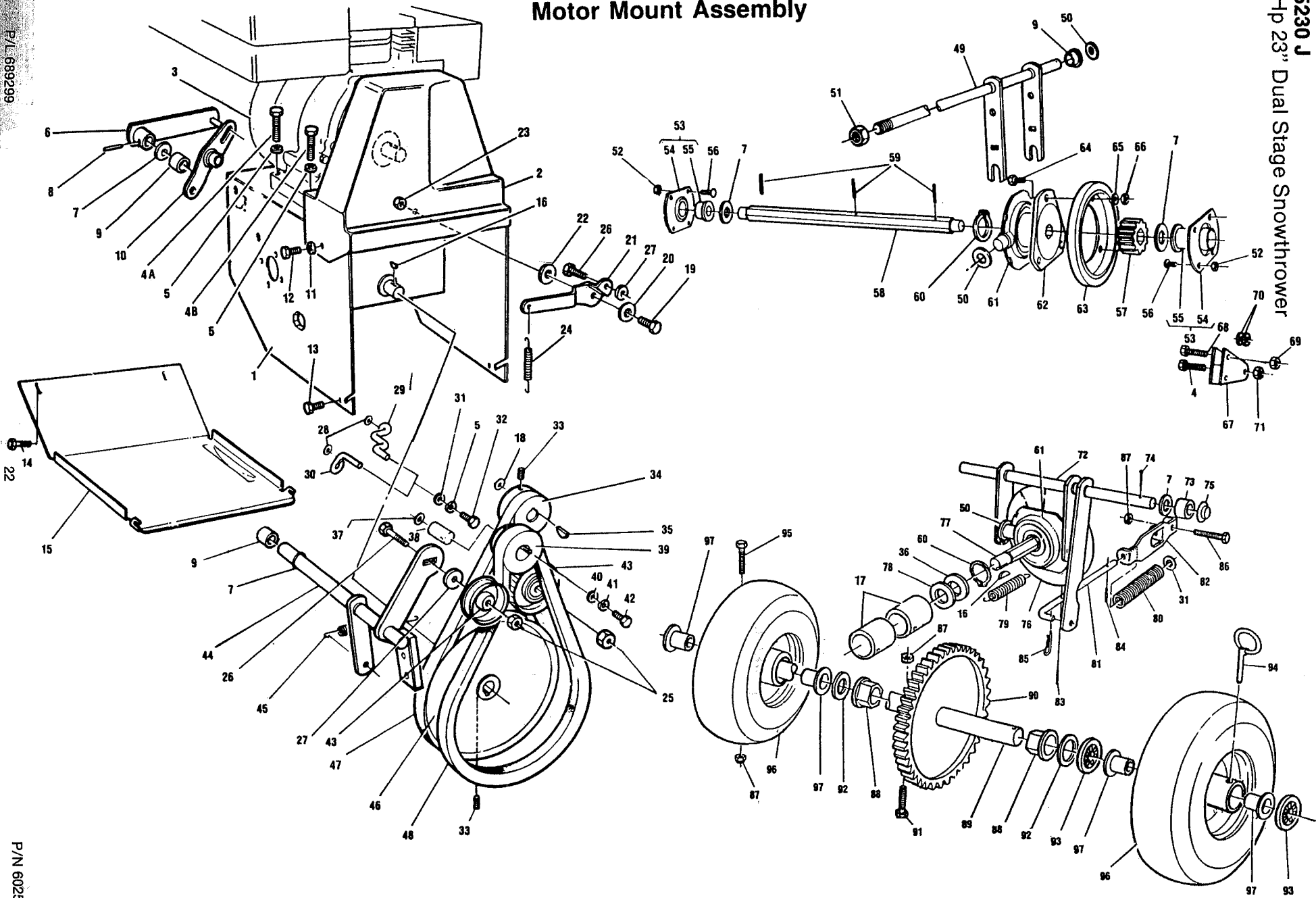
**A5230 J**  
**5 Hp 23" Dual Stage Snowthrower**

**Upper Handle Assembly**

Ref. No.	Part No.	Description	Ref. No.	Part No.	Description
1	657940	Clutch handle R.H.	34	697656	Upper handle
2	657932	Clutch handle L.H.	35	645614	Clutch cable
3	713180	Cam lock	36	150250	5/16-18 x 1-1/2 bolt
4	657361	Clutch handle bracket	37	312280	5/16-18 x 1-3/4 bolt
5	666644	Bracket light	38	715177	5/16-18 locknut
6	657411	Pin latch	39	456780	3/8-16 x 2-1/2 bolt
7	152926	3/8 cap retainer	40	150185	3/8 lockwasher
8	664789	Console bracket standard	41	715391	3/8-16 hex nut
9	657312	Bracket console support	42	657270	Spacer
10	315085	5/16-18 x 1/2 self tapping screw	43	645622	Spring auger clutch
11	715052	1/4-20 x 1/2 bolt	44	662874	Spring drive clutch
12	715094	1/4 lockwasher	45	657247	Lower handle
13	310052	1/4-20 hex nut	46	312066	5/16-18 x 3/4 bolt
14	153007	1/4-20 x 1/2 self tapping screw	47	310045	5/16-18 hex nut
15	657346	Console standard (without remote chute)	48	672253	Handle crank
16	112169	Control knob	49	662791	Crank
17	657288	Speed control lever	50	458984	3/8 eye bolt
18	312322	3/8-16 x 1-3/4 bolt	51	672220	Grommett
19	645630	Spring	52	715524	3/8-16 jam nut
20	715417	3/8 flat washer	53	313510	5/16-18 x 3/4 carriage bolt
21	451195	3/8-16 locknut	54	697664	Bracket chute rotate L.H.
22	673483	Rubber pad	55	697672	Bracket chute rotate R.H.
23	666651	Spring cam assist	56	697680	Rod chute control
24	151472	3/32 x 1 cotter pin	57	157339	1/2-20 jam nut
25	150391	1/4 x 20 locknut	58	457523	5/16-18 x 3/4 self tapping screw
26	672956	Plastic cap	59	672964	Plastic stop
27	715029	3/32 x 3/4 cotter pin	60	662452	Lever speed control
28	715185	5/16 flat washer	61	153106	5/32 x 7/8 roll pin
29	657296	Rod speed control	62	153155	Washer
30	152934	5/16-24 hex nut	63	311035	1/2 lockwasher
31	664763	Adaptor			
32	707372	Ball joint			
33	311118	5/16 lockwasher			

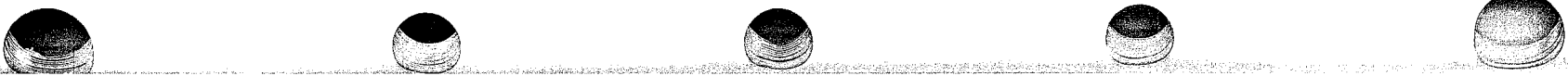
A5230 J  
5 Hp 23" Dual Stage Snowthrower

Motor Mount Assembly



P/L 689299

P/N 602508



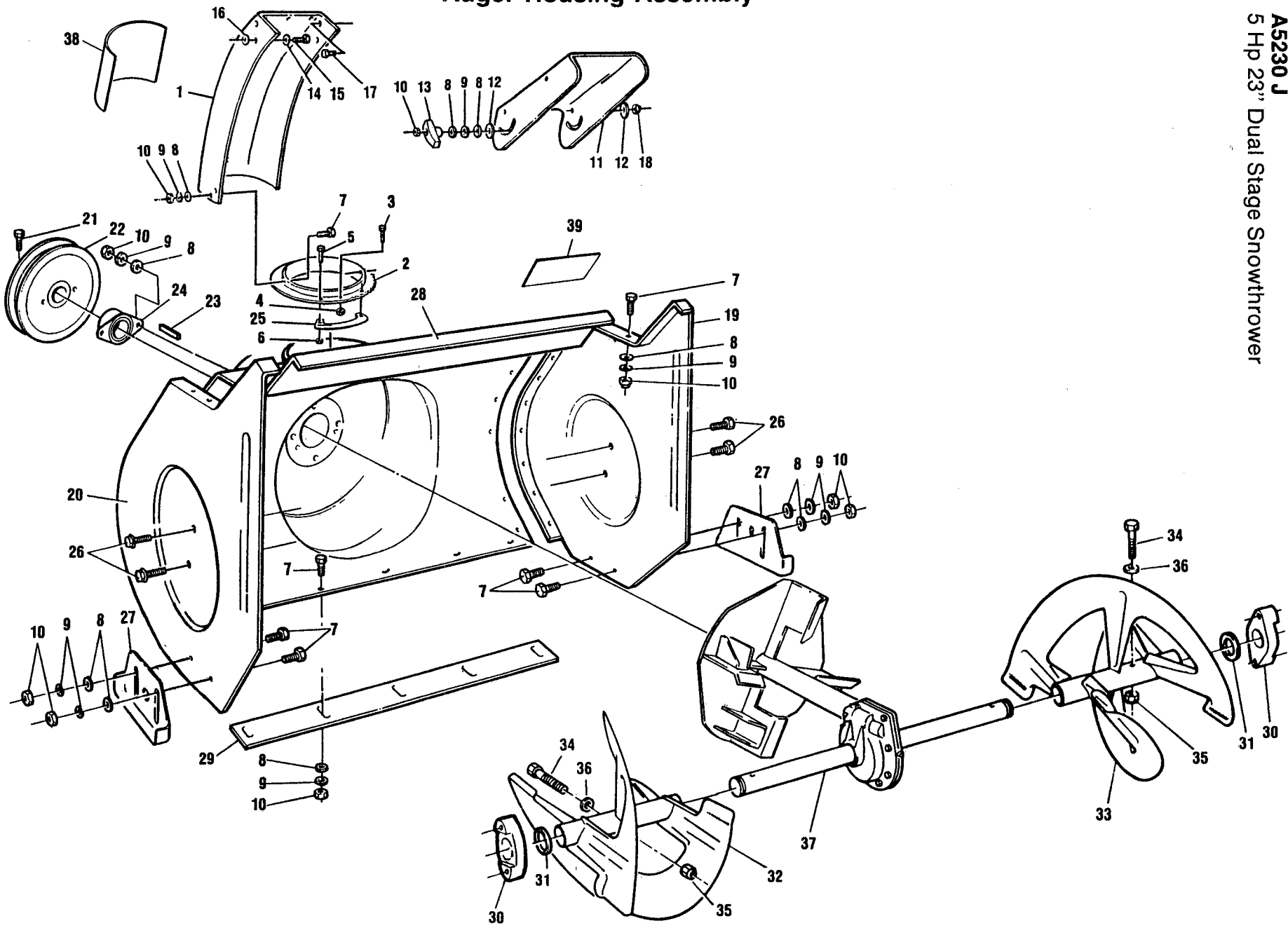
**A5230 J**  
**5 Hp 23" Dual Stage Snowthrower**

**Motor Mount Assembly**

Ref. No.	Part No.	Description	Ref. No.	Part No.	Description
1	712992	Motor mount frame	57	707174	Pinion 8 tooth
2	707307	Belt cover	58	707166	Hex shaft
3		8 HP Tecumseh engine	59	314112	1/8 x 3/4 roll pin
4A	150045	5/16-18 x 1-1/4 bolt	60	153262	1 1/4 - snap ring
4B	150250	5/16-18 x 1-1/2 bolt	61	662833	Trunion bearing assembly
5	311118	5/16 lockwasher	62	662551	Hub friction wheel
6	662973	Lever auger clutch	63	707141	Friction wheel
7	460824	1/2 - flat washer	64	153171	1/4-20 x 5/8 bolt
8	153106	5/32 x 7/8 roll pin	65	715094	1/4 lockwasher
9	672261	Plastic bushing	66	310052	1/4-20 hex nut
10	662981	Lever clutch cable	67	662387	Pivot traction
11	715300	1/4 - flat washer	68	525196	1/4-20 x 1 3/4 bolt
12	153007	1/4-20 x 1/2 self tapping screw	69	616375	1/4-20 locknut
13	315085	5/16-18 x 1/2 self tapping screw	70	153569	Spacer
14	153007	1/4-20 x 1/2 self tapping screw	71	715177	5/16-18 locknut
15	662627	Bottom panel	72	662478	Traction shaft assy.
16	153080	Hypro key 3/16	73	707109	Bushing
17	664672	Bearing needle	74	317016	1/8 x 1 cotter pin
18	153239	Washer	75	153205	1/2 - push nut
19	312066	5/16-18 x 3/4 bolt	76	662866	Disc drive
20	153247	5/16 x 1 3/8 x 14 GA washer	77	664631	Traction hex shaft
21	707273	Lever idler traction	78	664680	Bearing thrust
22	707067	Spacer	79	662858	Spring
23	715177	5/16-18 locknut	80	662841	Spring traction
24	662817	Spring	81	664649	Rod - traction
25	715524	3/8-16 hex jam nut	82	662585	Bracket traction spring
26	153015	3/8-16 x 1 1/4 bolt	83	153122	1/8 x 1 3/8 spring pin
27	715417	3/8 - flat washer	84	153130	1/8 x 1/2 spring pin
28	663484	Spacer belt retainer	85	715029	3/32 x 3/4 cotter pin
29	707877	Belt guide L.H.	86	450353	1/4-20 x 1 1/4 bolt
30	707885	Belt guide R.H.	87	152967	1/4-20 locknut
31	715185	5/16 - flat washer	88	707828	Bearing axle
32	153064	5/16-24 x 1 bolt	89	664656	Axle
33	380063	5/16-18 x 1/2 bolt	90	664664	48 tooth gear
34	707240	PTO pulley	91	153148	1/4-20 x 2 3/4 bolt (GR8)
35	157313	Key no. 5	92	153239	Washer
36	380089	Washer thrust	93	663476	Grip ring
37	672998	Washer	94	153619	Clik pin
38	380071	Spacer	95	312090	1/4-20 x 1 1/2 bolt GR5
39	170910	Pulley auger drive	96	042846	Wheel Snow Hog
40	153031	Washer	97	708784	Bushing wheel
41	153023	3/8 lockwasher		662676	(Not shown) Tire chain kit Model 5230
42	312363	3/8-24 x 1 bolt		630111	(Not shown) Electric start Model 5230
43	170530	2" idler pulley			
44	664623	Auger clutch rod			
45	662825	Spring			
46	707216	Traction pulley 8"			
47	707224	Belt traction drive			
48	707620	Belt auger drive			
49	662437	Speed control shaft			
50	153155	Washer			
51	310011	3/8-16 locknut			
52	715334	10-24 keps nut			
53	708198	Bearing assembly			
54	707398	Flange bearing			
55	707380	Bearing			
56	153163	10-24 x 3/8 carriage bolt			

# Auger Housing Assembly

A5230 J  
5 Hp 23" Dual Stage Snowthrower



P/L 689299

24

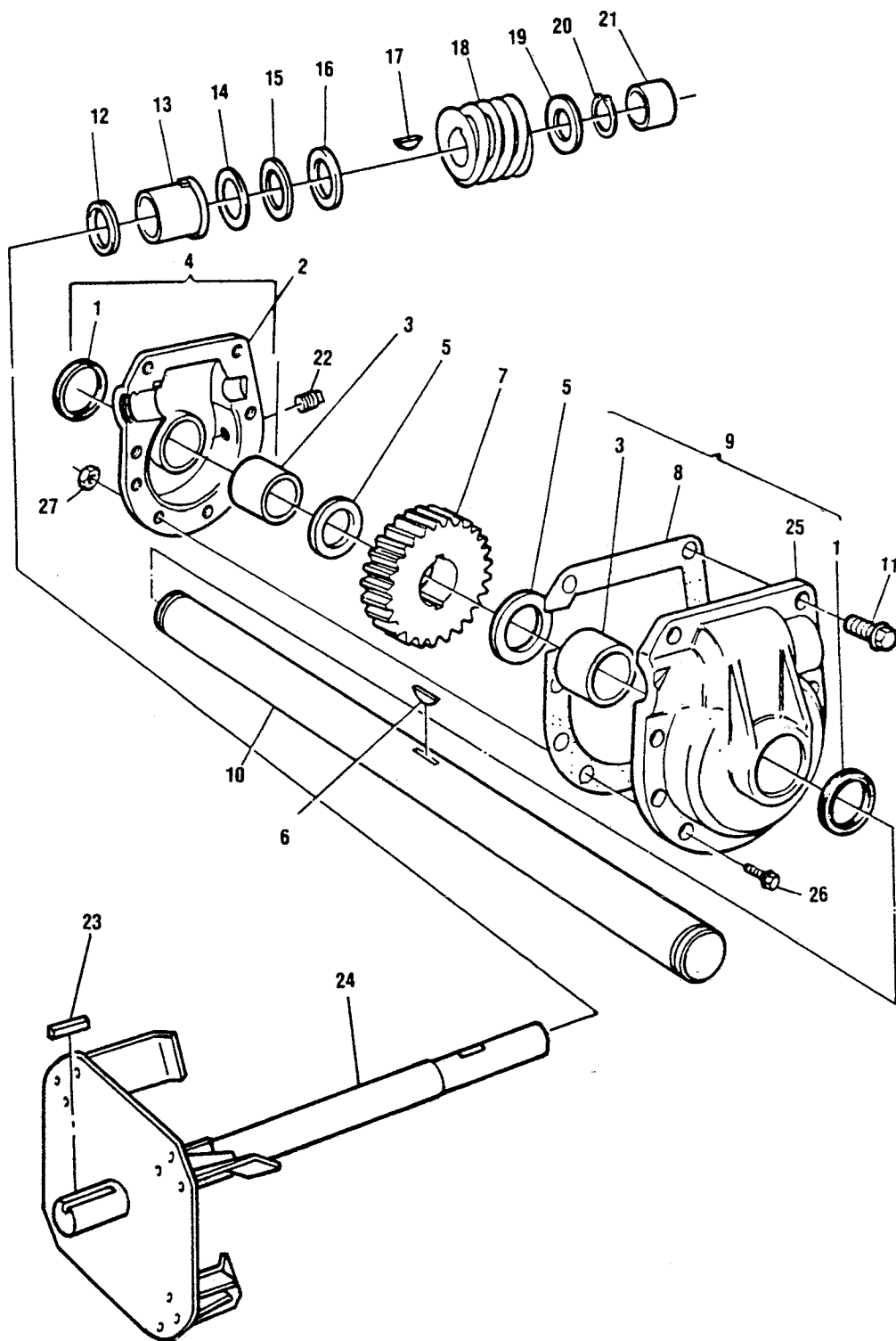
P/N 602508

**A5230 J**  
**5 Hp 23" Dual Stage Snowthrower**

**Auger Housing Assembly**

Reference No.	Part No.	Description
1	698738	Chute extension
2	698449	Flange
3	150169	1/4-20 x 1 bolt
4	452615	1/4-20 locknut
5	458232	8-32 x 1/2 bolt
6	154096	8-32 locknut
7	313510	5/16-18 x 3/4 carriage bolt
8	715185	5/16 flat washer
9	311118	5/16 lockwasher
10	310045	5/16 hex nut
11	698746	Chute deflector
12	672972	Plastic washer
13	673509	Wing knob
14	461996	7/16 flat washer
15	313502	5/16-18 x 1 carriage bolt
16	715417	3/8 flat washer
17	157321	5/16-18 x 3/4 pan head slotted bolt
18	310151	5/16-18 locknut
19	665208	Side plate L.H.
20	665216	Side plate R.H.
21	380048	5/16-18 x 5/8 bolt
22	707190	Auger pulley 6.5"
23	707943	3/16 key
24	708222	7/8 bearing
25	697698	Retainer
26	457523	5/16-18 x 3/4 self tapping screw
27	662569	Height adjustor
28	665190	Auger housing 23"
29	662429	23" scraper bar
30	707661	Bushing auger shaft
31	153387	Washer
32	662510	23" serrated auger R.H.
33	662502	23" serrated auger L.H.
34	708206	1/4-20 x 1-3/4 bolt
35	152967	1/4-20 locknut
36	672980	Spacer
37	713008	23" gear box assembly
38	677690	Decal - Danger
39	677682	Decal - Danger

### Gear Box Assembly



**A5230 J**  
**5 Hp 23" Dual Stage Snowthrower**

**Gear Box Assembly**

Reference No.	Part No.	Description
1	707471	Seal
2	707547	Housing L.H.
3	707463	Bearing
4	707455	Housing assembly L.H.
5	707430	Race thrust
6	153353	Key Woodruff #91
7	707422	Worm gear
8	707448	Gasket
9	707489	Housing assembly R.H.
10	662486	23" auger shaft
11	153361	5/16-24 x 1-1/2 bolt
12	153346	Ring quad
13	708214	Bearing impeller shaft
14	153320	Race thrust
15	153312	Bearing needle
16	153304	Race thrust
17	153080	Key 3/16"
18	707513	Worm
19	152959	Race thrust
20	153296	Ring retainer
21	707505	Bearing impeller shaft
22	153288	Grease plug
23	707943	3/16" key
24	713024	Impeller shaft assy.
25	707539	Housing R.H.
26	153064	5/16-24 x 1 bolt
27	153189	5/16-24 flange locknut
	713008	23" gear box assembly (complete)