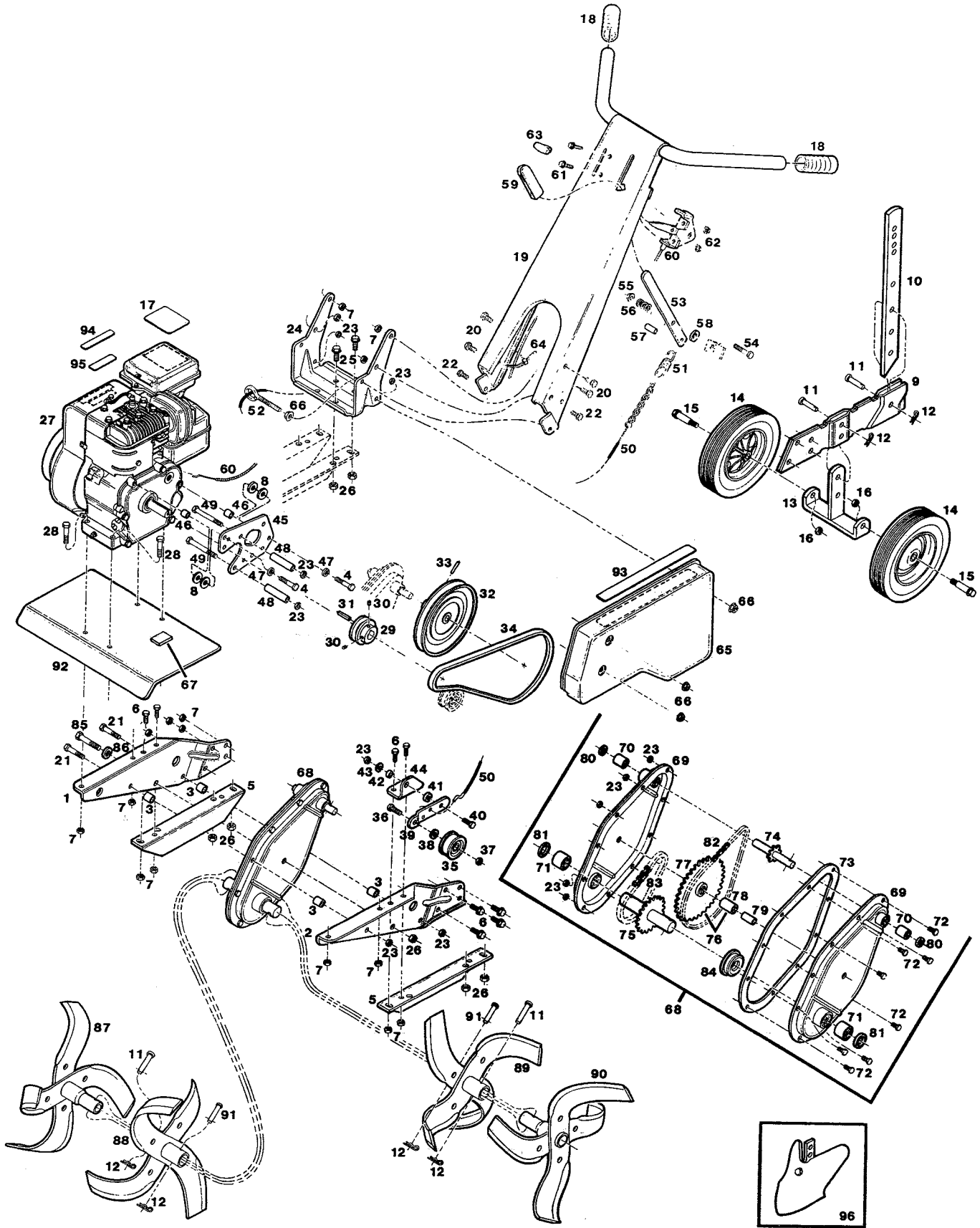


**5 H.P. FRONT TINE TILLER
MODEL: A5500-J**



**5 H.P. FRONT TINE TILLER
MODEL: A5500-J**

Index Part			Index Part		
No.	No.	Description	No.	No.	Description
1	446914	Beam-support RH	52	155234	Eyebolt-cable guide
2	446898	Beam-support LH	53	422188	Lever-control, tine drive
3	468256	Spacer-beam	54	450379	Bolt-hex 1/4-20 x 1-3/4
4	150433	Bolt-hex 1/4-20 x 2	55	451419	Nut-hex 1/4-20 top lock flange
5	575159	Angle-frame	56	775072	Spring-lever tension
6	459131	Bolt-hex 5/16-18 x 1	57	468801	Spacer-spring
7	715490	Nut-hex 5/16-18 top lock	58	715607	Washer-belleville
8	452093	Washer-Flat 1/4	59	761585	Grip-control lever
9	771576	Bracket-depth bar	60	781419	Control-throttle w/cable
10	435289	Bar-depth	61	458687	Screw-hex slotted #10-24 x 1/2
11	616532	Pin-clevis 3/8 x 1-9/16	62	715334	Nut-hex #10-24
12	715011	Hairpin Cotter	63	744037	Knob-throttle lever
13	771600	Bracket-wheel	64	110379	Cable tie
14	041772	Wheel-8"	65	575753	Guard-belt
15	153668	Bolt-wheel	66	715078	Nut-hex 1/4-20 whiz
16	715086	Nut-hex 3/8-16 lock	67	446799	Pad-idler pulley
17	551655	Decal-Tine Warning	68	591909	Transmission Assembly Includes ref 69-86
18	751032	Grip-handlebar	69	592014	Housing-transmission, half w/bearings Includes ref 70 and 71
19	570473	Panel-handle assembly	70	423608	Bearing-input shaft
20	450437	Bolt-hex 5/16-18 x 5/8	71	423632	Bearing-output shaft
21	153874	Bolt-hex 1/4-20 x 2-1/4	72	715052	Bolt-hex 1/4-20 x 1/2
22	449587	Bolt-hex 1/4-20 x 5/8	73	762039	Gasket-transmission housing
23	715508	Nut-hex 1/4-20 x top lock	74	417691	Shaft-input w/sprocket
24	447011	Channel-handle support	75	417725	Shaft-output w/sprocket
25	458968	Bolt-hex 3/8-16 x 1 whiz	76	434969	Sprocket Assembly w/bearing Includes ref 77 and 78
26	715441	Nut-hex 3/8-16 whiz	77	434829	Sprocket and Hub Assembly
27	*	Engine-5 HP	78	423624	Bearing-sprocket
28	460311	Bolt-hex 5/16-18 x 1-3/4	79	432971	Sleeve-bearing
29	618744	Pulley-engine	80	774760	Seal-input shaft
30	315093	Set screw-pulley	81	774737	Seal-output shaft
31	446369	Key-pulley 3/16 sq x 1-1/4	82	425389	Chain-roller, No. 42
32	419689	Pulley-transmission	83	425397	Chain-roller, No. 420
33	715193	Pin-roll 3/16 x 1	84	468249	Spacer-tine shaft
34	421321	Belt-drive	85	459032	Bolt-hex 3/8-16 x 2-1/4
35	672923	Pulley-idler	86	461780	Washer-int. tooth lock 3/8
36	159020	Bolt-hex 3/8-16 x 1-1/2	87	571109	Tine Assembly with hub-RH outer
37	715524	Nut-hex 3/8-16 jam	88	571083	Tine Assembly with hub-RH inner
38	461731	Washer-idler pulley	89	571075	Tine Assembly with hub-LH inner
39	779165	Arm-idler	90	571091	Tine Assembly with hub-LH outer
40	715045	Bolt-hex 1/4-20 x 3/4	91	488965	Pin-clevis 5/16 x 1-1/4
41	156174	Washer-flat 1/4	92	576249	Hood-tine
42	468728	Bushing-idler arm	93	551648	Decal-Operating Instructions
43	615690	Washer-flat 1/4	94	551713	Decal-Hand Placement
44	771386	Bracket-idler arm	95	551846	Decal-Caution Disengage
45	464206	Plate-belt guide	Optional Accessories		
46	468694	Spacer-plate to engine	96	465856	Furrowing kit
47	715094	Washer-split lock 1/4			
48	468686	Spacer-belt guide 2-1/2			
49	450007	Bolt-hex 1/4-20 x 3-1/4			
50	519579	Cable-clutch control			
51	775155	Spring-cable			

*Contact engine manufacturer's authorized service dealer for parts and warranty.

- When servicing use only **Genuine Factory Replacement Parts (OEM)** that are specifically designed for the particular model that you are working with.
- Parts are right or left hand as viewed from the operator's position.
- Model specifications are subject to change without prior notice.
- **Do not operate** the tiller unless all parts are attached and in good working order.
- Tiller tine cover, handle and/or other painted parts differing only in color may be substituted without notice.