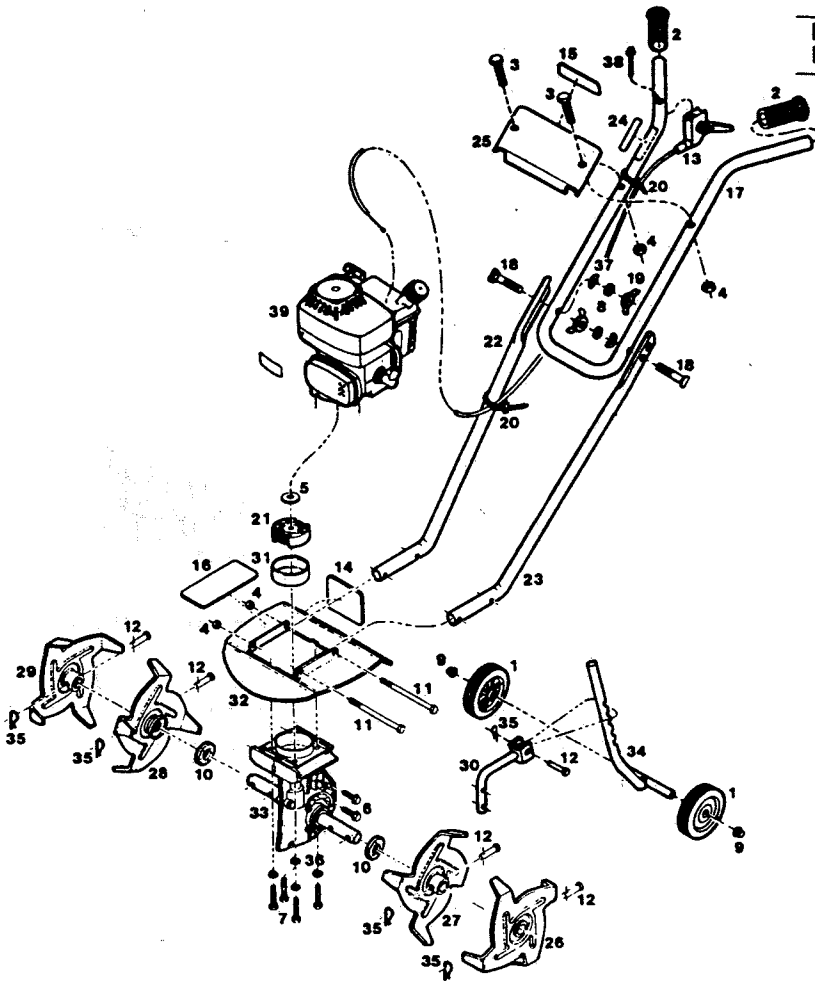


**MODEL: A1650L
1.6 HP 2-CYCLE MINI CULTIVATOR**



Item No.	Part No.	Description
1.	041723	Wheel-plastic w/tire
2.	530303	Grip-Hand
3.	152363	Bolt - carriage 1/4-20 x 1 1/4
4.	616375	Nut - hex 1/4-20 Ctr. Lock
5.	157651	Washer - flat 1/4
6.	380352	Bolt-hex 1/4 - 20 x 1 1/4
7.	157677	Bolt - hex 1/4-20 x 1 1/4
8.	715185	Washer - flat 5/16
9.	152579	Nut - push 5/16
10.	157818	Washer - Felt
11.	380345	Bolt - hex 1/4-20 x 5
12.	490037	Pin - Clevis 5/16 x 1 1/4
13.	530675	Control - Throttle w/Cable
14.	553448	Decal - Warning
15.	552141	Decal - Throttle Control
16.	553347	Decal - Caution
17.	556688	Handle - Upper
18.	157859	Bolt-curved head 5/16-18 x 1 1/4
19.	150235	Nut-wing 5/16 - 18
20.	110379	Tie - cable
21.	584680	Clutch - centrifugal
22.	558965	Handle - Lower RH
23.	558940	Handle - Lower LH
24.	552414	Decal-Hand Placement
25.	574962	Panel - Handle, Red
	575878	Panel - Handle, Green
26.	575910	Tine - Outer LH
27.	575894	Tine - Inner LH
28.	575902	Tine - Inner RH
29.	575928	Tine - Outer RH
30.	592410	Bracket - Depth Bar
31.	556787	Drum - clutch
32.	575852	Shield - Tine
33.	584755	Transmission - tine drive, includes #31
34.	592402	Depth Rod
35.	715011	Hairpin Cotter
36.	715094	Washer - Split Lock 1/4
37.	162172	Washer - Curved
38.	157727	Screw - hex tap #10-16 x 1 1/2
39.	*	Engine - 2 cycle

*Contact engine manufacturer's authorized service dealer for parts and warranty.

- When servicing this unit use only genuine General Power OEM replacement parts that are specifically designed and engineered for this particular model.
- Do not operate unit unless all parts are properly attached and in good working order.
- Parts are right or left hand as viewed from the operator's position.
- Specifications are subject to change without notice.