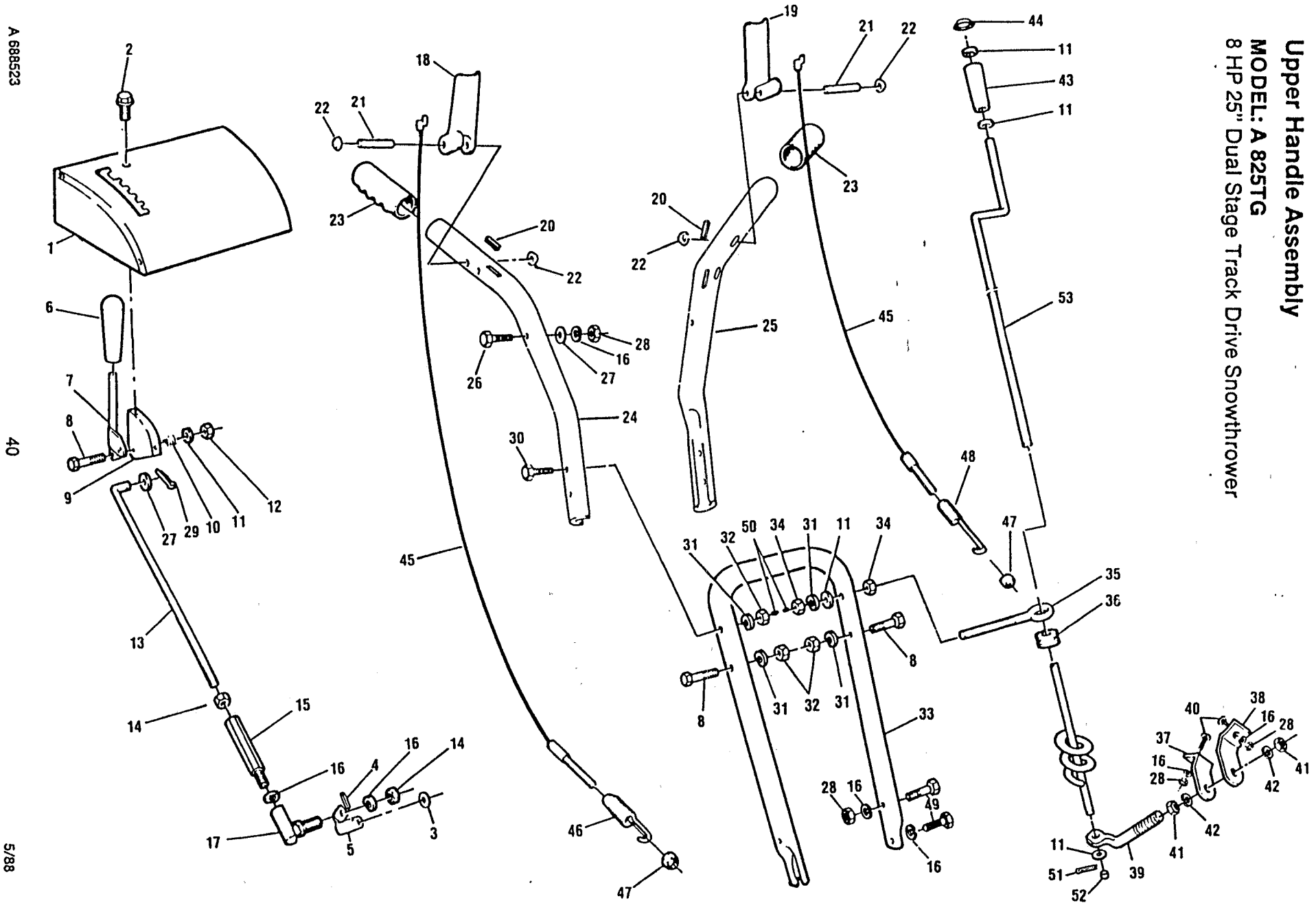


Upper Handle Assembly
MODEL: A 825TG
8 HP 25" Dual Stage Track Drive Snowthrower



A 688523

40

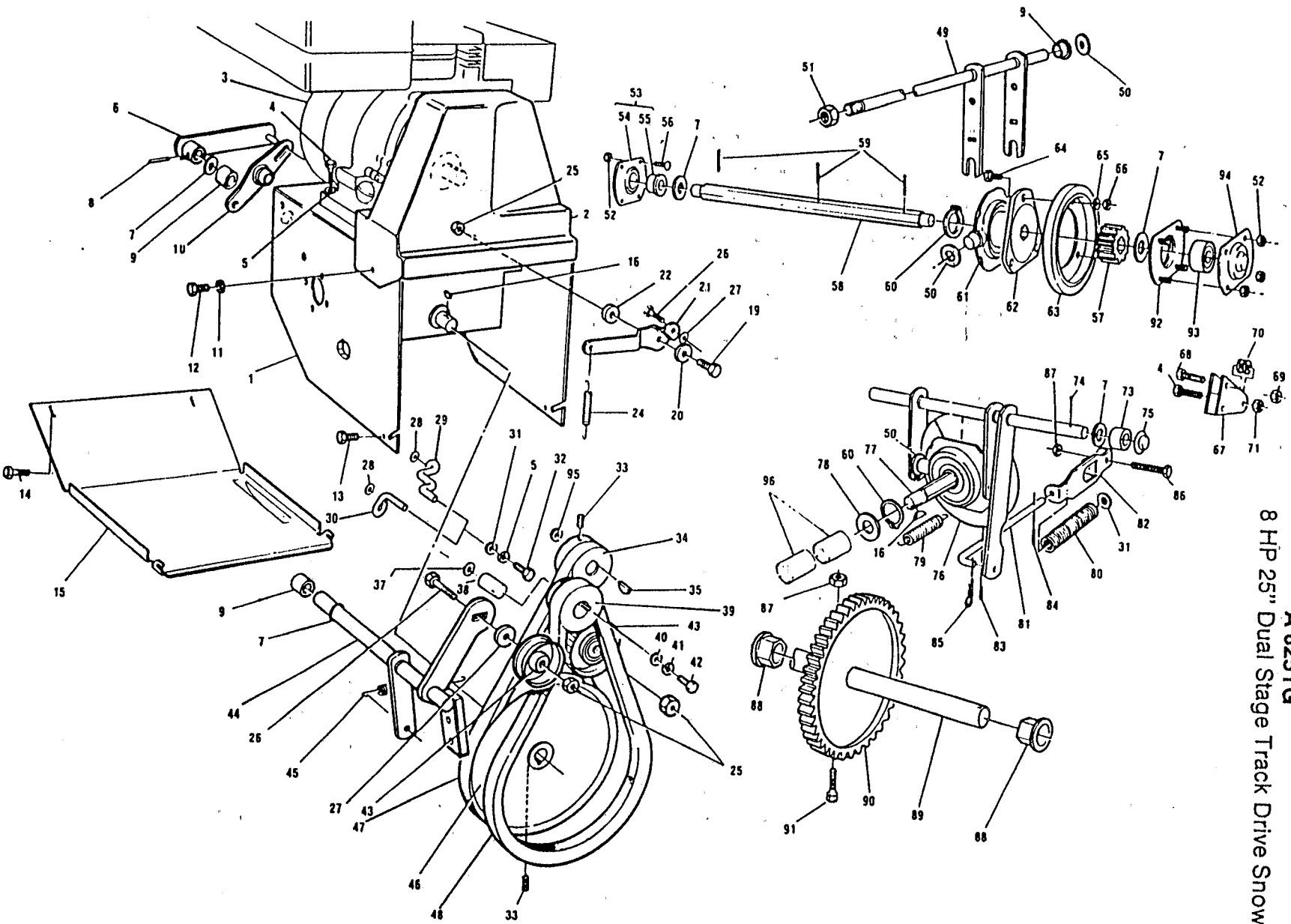
5/88

Upper Handle Assembly

MODEL: A 825TG

8 HP 25" Dual Stage Track Drive Snowthrower

Ref. No.	Part No.	Description
1	665067	Control panel
2	315085	5/16-18 x 1/2 self tapping screw
3	153155	Washer
4	153106	5/32 x 7/8 roll pin
5	662452	Lever speed control
6	744243	Control knob
7	662726	Speed control lever
8	312322	3/8-16 x 1-3/4 bolt
9	662734	Bracket speed control
10	645630	Spring
11	715417	3/8 flat washer
12	451195	3/8-16 locknut
13	662767	Rod speed control
14	152934	5/16-24 hex nut
15	664763	Adaptor
16	311118	5/16 lockwasher
17	707372	Ball joint
18	662759	Clutch handle R.H.
19	662742	Clutch handle L.H.
20	657494	Bumper
21	663542	Pivot pin
22	153767	5/16 cap retainer
23	707315	Handle grip
24	657460	Upper handle R.H.
25	657478	Upper handle L.H.
26	312280	5/16-18 x 1-3/4 bolt
27	715185	5/16 flat washer
28	310045	5/16-18 hex nut
29	715029	3/32 x 3/4 cotter pin
30	456780	3/8-16 x 3 bolt
31	150185	3/8 lockwasher
32	715391	3/8-16 hex nut
33	657247	Lower handle
34	715524	3/8-16 jam nut
35	458984	3/8 eye bolt
36	672220	Grommet
37	697664	Bracket chute rotate L.H.
38	697672	Bracket chute rotate R.H.
39	697680	Rod chute control
40	313510	5/16-18 x 3/4 carriage bolt
41	157339	1/2-20 jam nut
42	311035	1/2 lockwasher
43	672253	Handle crank
44	152926	3/8 cap retainer
45	645614	Clutch cable
46	645622	Spring auger clutch
47	150391	1/4-20 locknut
48	662874	Spring drive clutch
49	312066	5/16-18 x 3/4 bolt
50	672964	Plastic stop
51	151472	3/32-1 cotter pin
52	672956	Plastic cap
53	662791	Crank



Motor Mount Assembly
MODEL: C 825TG
A 825TG
8 HP 25" Dual Stage Track Drive Snowthrower

MODEL: C 825TG

A 825TG

Motor Mount Assembly

8 HP 25" Dual Stage Track Drive Snowthrower

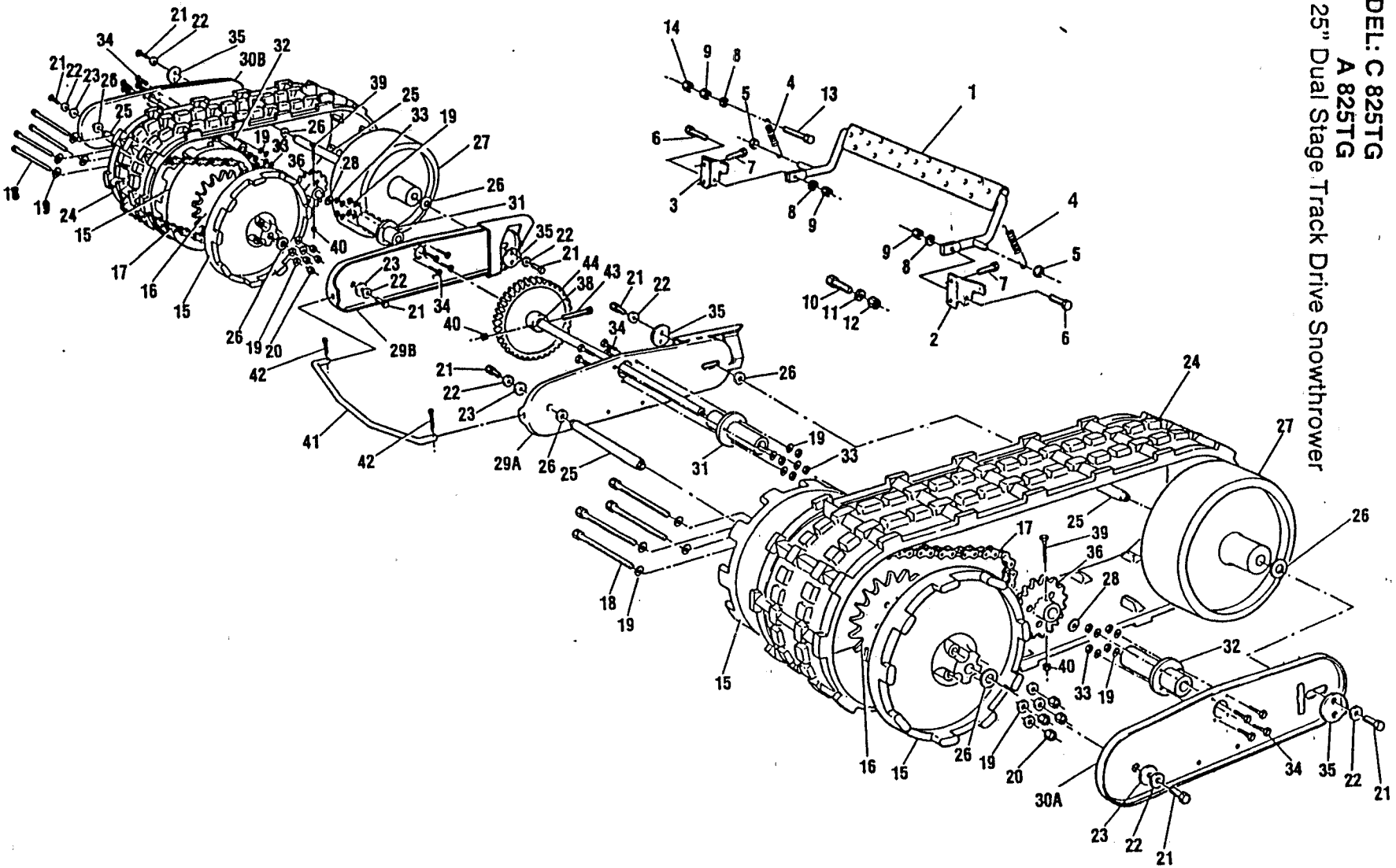
Ref. No.	Part No.	Description	Ref. No.	Part No.	Description
1	712992	Motor mount frame	59	314112	1/8 x 3/4 roll pin
2	707307	Belt cover	60	153262	1 1/4 - snap ring
3	5985	8 HP Tecumseh engine	61	662833	Trunion bearing assembly
4	150045	5/16-18 x 1-1/4 bolt	62	662551	Hub friction wheel
5	311118	5/16 lockwasher	63	707141	Friction wheel
6	662973	Lever auger clutch	64	153171	1/4-20 x 5/8 bolt
7	460824	1/2 - flat washer	65	715094	1/4 lockwasher
8	153106	5/32 x 7/8 roll pin	66	310052	1/4-20 hex nut
9	672204	Plastic bushing	67	662387	Pivot traction
10	662981	Lever clutch cable	68	525196	1/4-20 x 1 3/4 bolt
11	715300	1/4 - flat washer	69	150391	1/4-20 locknut
12	153007	1/4-20 x 1/2 self tapping screw	70	153569	Spacer
13	315085	5/16-18 x 1/2 self tapping screw	71	715177	5/16-18 locknut
14	153007	1/4-20 x 1/2 self tapping screw	72	662478	Traction shaft assy.
15	662627	Bottom panel	73	707109	Bushing
16	153080	Hypro key 3/16	74	317016	1/8 x 1 cotter pin
19	312066	5/16-18 x 3/4 bolt	75	153205	1/2 - push nut
20	153247	5/16 x 1 3/8 x 14 GA washer	76	662866	Disc drive
21	707273	Lever idler traction	77	664631	Traction hex shaft
22	707067	Spacer	78	664680	Bearing thrust
23	715177	5/16-18 locknut	79	662858	Spring
24	775718	Spring	80	662841	Spring traction
25	715524	3/8-16 hex jam nut	81	664649	Rod - traction
26	153015	3/8-16 x 1 1/4 bolt	82	662585	Bracket traction spring
27	715417	3/8 - flat washer	83	153122	1/8 x 1 3/8 spring pin
28	663484	Spacer belt retainer	84	153130	1/8 x 1/2 spring pin
29	662635	Belt guide L.H.	85	715029	3/32 x 3/4 cotter pin
30	662643	Belt guide R.H.	86	450353	1/4-20 x 1 1/4 bolt
31	715185	5/16 - flat washer	87	152967	1/4-20 locknut
32	153064	5/16-24 x 1 bolt	88	707828	Bearing axle
33	153049	5/16-18 x 1/2 bolt	89	664656	Axle
34	707406	PTO pulley	90	664664	48 tooth gear
35	157303	Key no. 5	91	153148	1/4-20 x 2 3/4 bolt (GR8)
37	153239	Washer	92	708024	Bearing retainer inner
38	672998	Spacer	93	708040	Ball bearing
39	707257	Pulley auger drive	94	708032	Bearing retainer outer
40	153031	Washer	95	153239	Washer
41	153023	3/8 lockwasher	96	664672	Bearing needle
42	312363	3/8-24 x 1 bolt		630129	(Not shown) Electric start Model 8250
43	170530	2" idler pulley			
44	664623	Auger clutch rod			
45	662825	Spring			
46	708008	Traction pulley 5"			
47	708016	Belt traction drive			
48	707232	Belt auger drive			
49	662437	Speed control shaft			
50	153155	Washer			
51	310011	3/8-16 locknut			
52	715334	10-24 keps nut			
53	708198	Bearing assembly			
54	707398	Flange bearing			
55	707380	Bearing			
56	153163	10-24 x 3/8 carriage bolt			
57	707174	Pinion 8 tooth			
58	707166	Hex shaft			

Track Assembly

MODEL: C 825TG

A 825TG

8 HP 25" Dual Stage Track Drive Snowthrower



MODEL: C 825TG

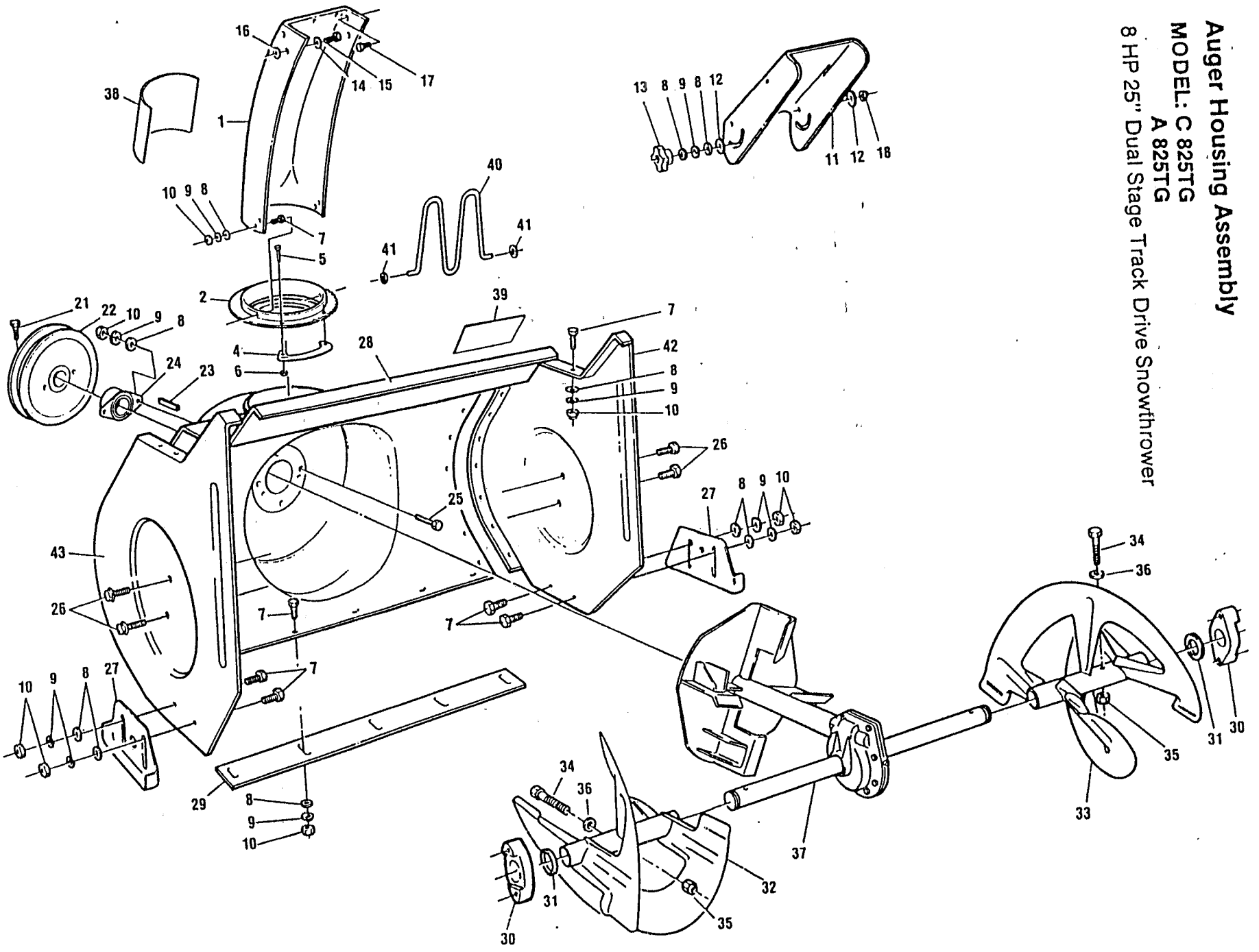
A 825TG

8 HP 25" Dual Stage Track Drive Snowthrower

Track Assembly

Ref. No.	Part No.	Description
1	664920	Foot pedal
2	664938	Bracker L.H.
3	664946	Bracker R.H.
4	664946	Spring
5	715474	1/2 pal nut
6	664961	Shoulder bolt
7	153007	1/4-20 x 1/2 self tapping screw
8	311118	5/16 lockwasher
9	310045	5/16-18 hex nut
10	715326	3/8-16 x 1 bolt GR5
11	150185	3/8 lockwasher
12	715524	3/8-16 jam nut
13	312066	5/16-18 x 3/4 bolt
14	715177	5/16 locknut
15	708230	Wheel - track drive
16	707059	Sprocket
17	708057	Chain
18	708099	1/4-28 x 3-3/4 GR5 bolt
19	715300	1/4 flat washer
20	708107	1/4-28 locknut
21	708115	5/16-24 x 1/2 bolt
22	708123	Bell washer
23	708131	Washer
24	708248	Track
25	708255	Shaft - track wheel
26	708149	1/2" hardened washer
27	708263	Idler wheel
28	708156	Washer
29A	664995	Track plate inner L.H.
29B	665000	Track plate inner R.H.
30A	665018	Track plate outer L.H.
30B	665026	Track plate outer R.H.
31	708271	Hub - inner
32	708289	Hub - outer
33	150391	1/4-20 locknut
34	150169	1/4-20 x 1 bolt
35	665059	Cam washer
36	708065	Sprocket
38	153239	Washer
39	708073	Shear bolt
40	152967	1/4-20 locknut
41	708297	Connecting rod
42	715011	Hair pin
43	153148	1/4-20 x 2-3/4 bolt
44	664664	48 tooth gear

Auger Housing Assembly
MODEL: C 825TG
A 825TG
8 HP 25" Dual Stage Track Drive Snowthrower



A 688523
 C 688549

Auger Housing Assembly

MODEL: C 825TG
 A 825TG
 8 HP 25" Dual Stage Track Drive Snowthrower

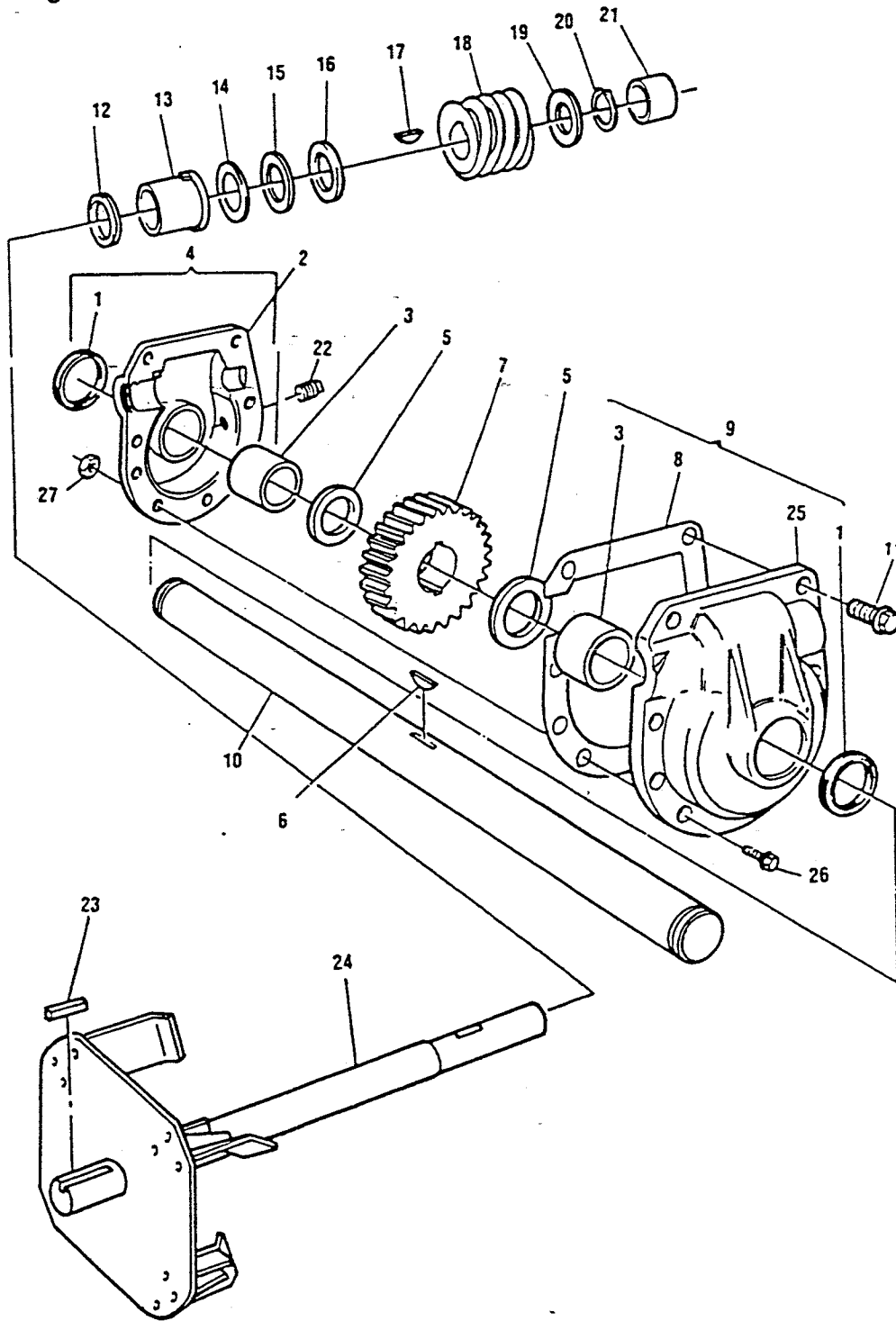
Reference No.	Part No.	Description
1	662684	Chute extension
2	662668	Flange
4	697698	Retainer
5	458232	8-32 x 1/2 bolt
6	154096	8-32 locknut
7	313510	5/16-18 x 3/4 carriage bolt
8	715185	5/16 flat washer
9	311118	5/16 lockwasher
10	310045	5/16 hex nut
11	697706	Chute deflector
12	672972	Plastic washer
13	707323	Wing knob
14	461996	7/16 flat washer
15	313502	5/16-18 x 1 carriage bolt
16	715417	3/8 flat washer
17	157321	5/16-18 x 3/4 pan head slotted bolt
18	310151	5/16-18 locknut
21	153577	5/16-18 x 3/4 bolt
22	707190	Auger pulley 6.5"
23	707943	3/16 key
24	708222	7/8 bearing
25	312074	5/16-18 x 5/8 bolt
26	457523	5/16-18 x 3/4 self tapping screw
27	662569	Height adjustor
28	665190	Auger housing 23"
29	662429	23" scraper bar
30	707661	Bushing auger shaft
31	153387	Washer
32	662510	23" serrated auger R.H.
33	662502	23" serrated auger L.H.
34	708246	1/4-20 x 1-3/4 bolt
35	152967	1/4-20 locknut
36	672980	Spacer
37	713008	23" gear box assembly
38	677690	Decal - Danger
39	677682	Decal - Danger
40	662692	Hand guard
41	715102	Retainer - hand guard
42	665208	Side plate L.H.
43	665216	Side plate R.H.

Gear Box Assembly

MODEL: C 825TG

A 825TG

8-HP 25" Dual Stage Track Drive Snowthrower



Gear Box Assembly

MODEL: C 825TG
 A 825TG
 8 HP 25" Dual Stage Track Drive Snowthrower

Reference No.	Part No.	Description
1	707471	Seal
2	707547	Housing L.H.
3	707463	Bearing
4	707455	Housing assembly L.H.
5	707430	Race thrust
6	153353	Key Woodruff #91
7	707422	Worm gear
8	707448	Gasket
9	707489	Housing assembly R.H.
10	662494	25" auger shaft
11	153361	5/16-24 x 1-1/2 bolt
12	153346	Ring quad
13	708214	Bearing impeller shaft
14	153320	Race thrust
15	153312	Bearing needle
16	153304	Race thrust
17	153080	Key 3/16"
18	707513	Worm
19	152959	Race thrust
20	153296	Ring retainer
21	707505	Bearing impeller shaft
22	153288	Grease plug
23	707943	3/16" key
24	713024	Impeller shaft assy.
25	707539	Housing R.H.
26	153064	5/16-24 x 1 bolt
27	153189	5/16-24 flange locknut
	713016	25" gear box assembly (complete)