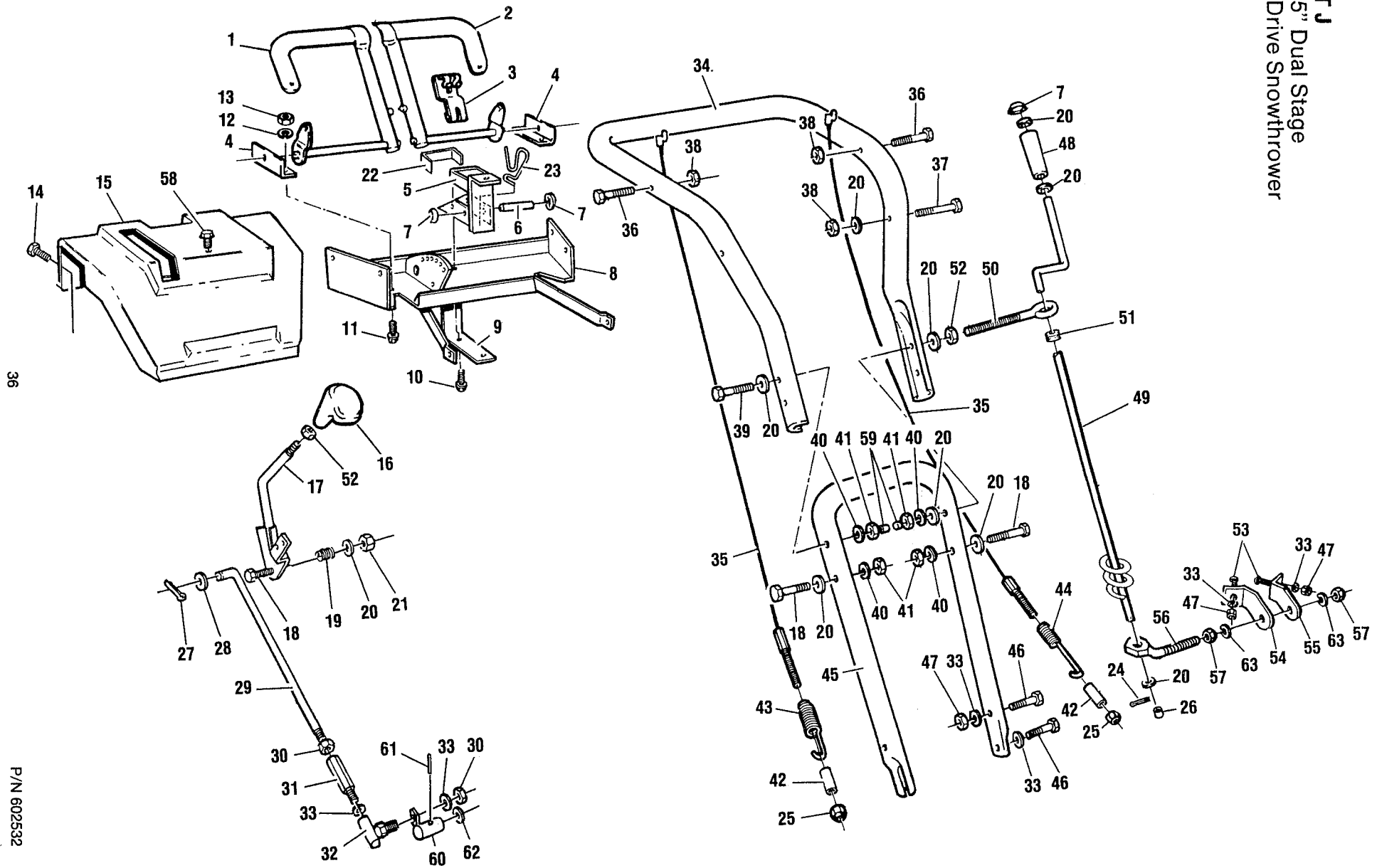


# Upper Handle Assembly

A825 T J  
8 Hp 25" Dual Stage  
Track Drive Snowthrower



36

P/N 602532

KEY RED PLASTIC #402255



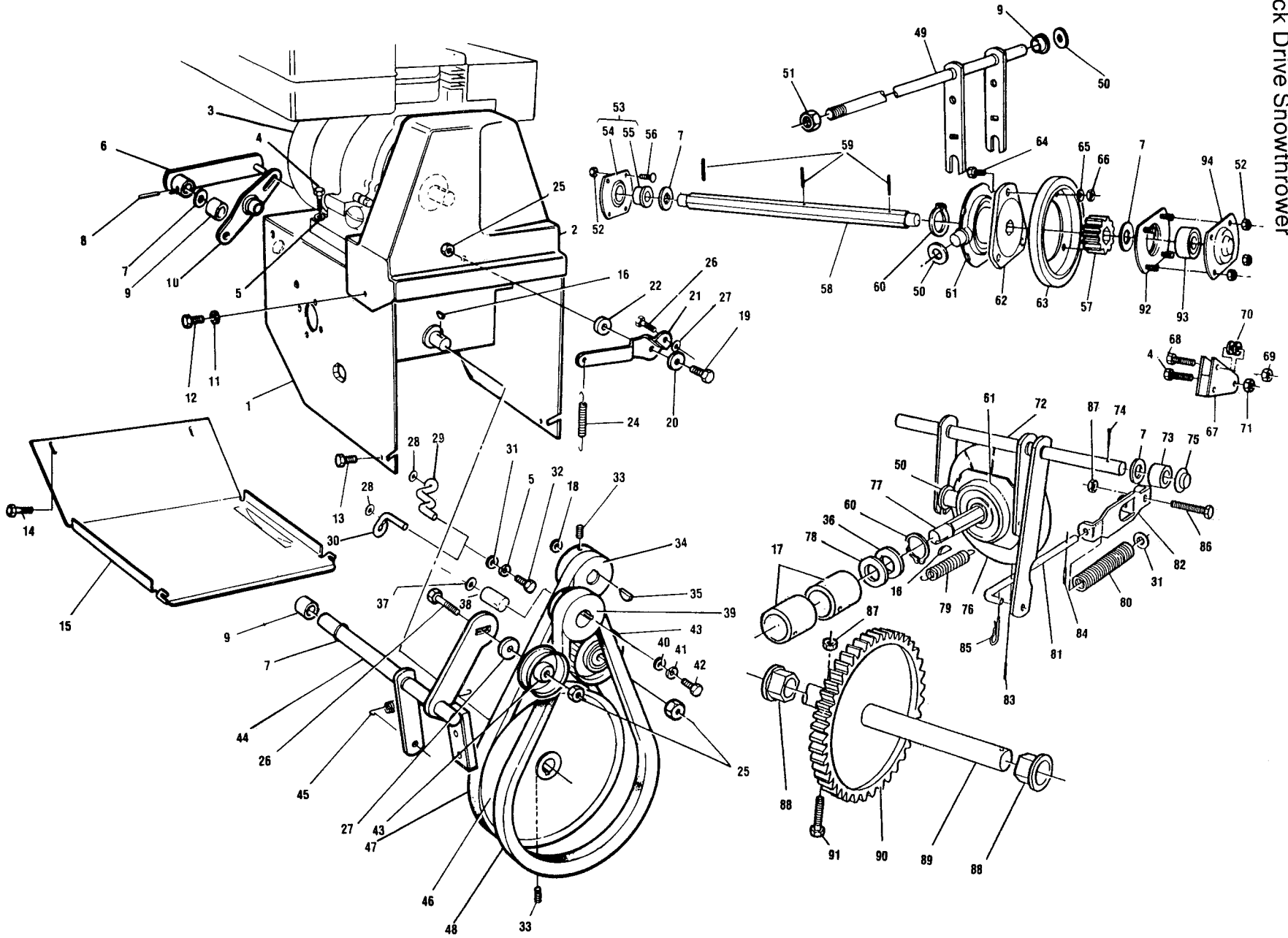
**A825 T J****8 Hp 25" Dual Stage  
Track Drive Snowthrower****Upper Handle Assembly**

Ref. No.	Part No.	Description	Ref. No.	Part No.	Description
1	657940	Clutch handle R.H.	34	697656	Upper handle
2	657932	Clutch handle L.H.	35	645614	Clutch cable
3	713180	Cam lock	36	150250	5/16-18 x 1-1/2 bolt
4	657361	Clutch handle bracket	37	312280	5/16-18 x 1-3/4 bolt
5	666644	Bracket light	38	715177	5/16-18 locknut
6	657411	Pin latch	39	456780	3/8-16 x 2-1/2 bolt
7	152926	3/8 cap retainer	40	150185	3/8 lockwasher
8	664789	Console bracket standard	41	715391	3/8-16 hex nut
9	657312	Bracket console support	42	657270	Spacer
10	315085	5/16-18 x 1/2 self tapping screw	43	645622	Spring auger clutch
11	715052	1/4-20 x 1/2 bolt	44	662874	Spring drive clutch
12	715094	1/4 lockwasher	45	657247	Lower handle
13	310052	1/4-20 hex nut	46	312066	5/16-18 x 3/4 bolt
14	153007	1/4-20 x 1/2 self tapping screw	47	310045	5/16-18 hex nut
15	657346	Console standard (without remote chute)	48	672253	Handle crank
16	112169	Control knob	49	662791	Crank
17	657288	Speed control lever	50	458984	3/8 eye bolt
18	312322	3/8-16 x 1-3/4 bolt	51	672220	Grommett
19	645630	Spring	52	715524	3/8-16 jam nut
20	715417	3/8 flat washer	53	313510	5/16-18 x 3/4 carriage bolt
21	451195	3/8-16 locknut	54	697664	Bracket chute rotate L.H.
22	673483	Rubber pad	55	697672	Bracket chute rotate R.H.
23	666651	Spring cam assist	56	697680	Rod chute control
24	151472	3/32 x 1 cotter pin	57	157339	1/2-20 jam nut
25	150391	1/4 x 20 locknut	58	457523	5/16-18 x 3/4 self tapping screw
26	672956	Plastic cap	59	672964	Plastic stop
27	715029	3/32 x 3/4 cotter pin	60	662452	Lever speed control
28	715185	5/16 flat washer	61	153106	5/32 x 7/8 roll pin
29	657296	Rod speed control	62	153155	Washer
30	152934	5/16-24 hex nut	63	311035	1/2 lockwasher
31	664763	Adaptor	64	630160	(Not shown) Light kit Model 8250 w/o alt.
32	707372	Ball joint	65	630137	Model 8250 with alt.
33	311118	5/16 lockwasher		402255	Key

# Motor Mount Assembly

For Model - A825T J

A825 T J  
8 Hp 25" Dual Stage  
Track Drive Snowthrower



P/L 689281

38

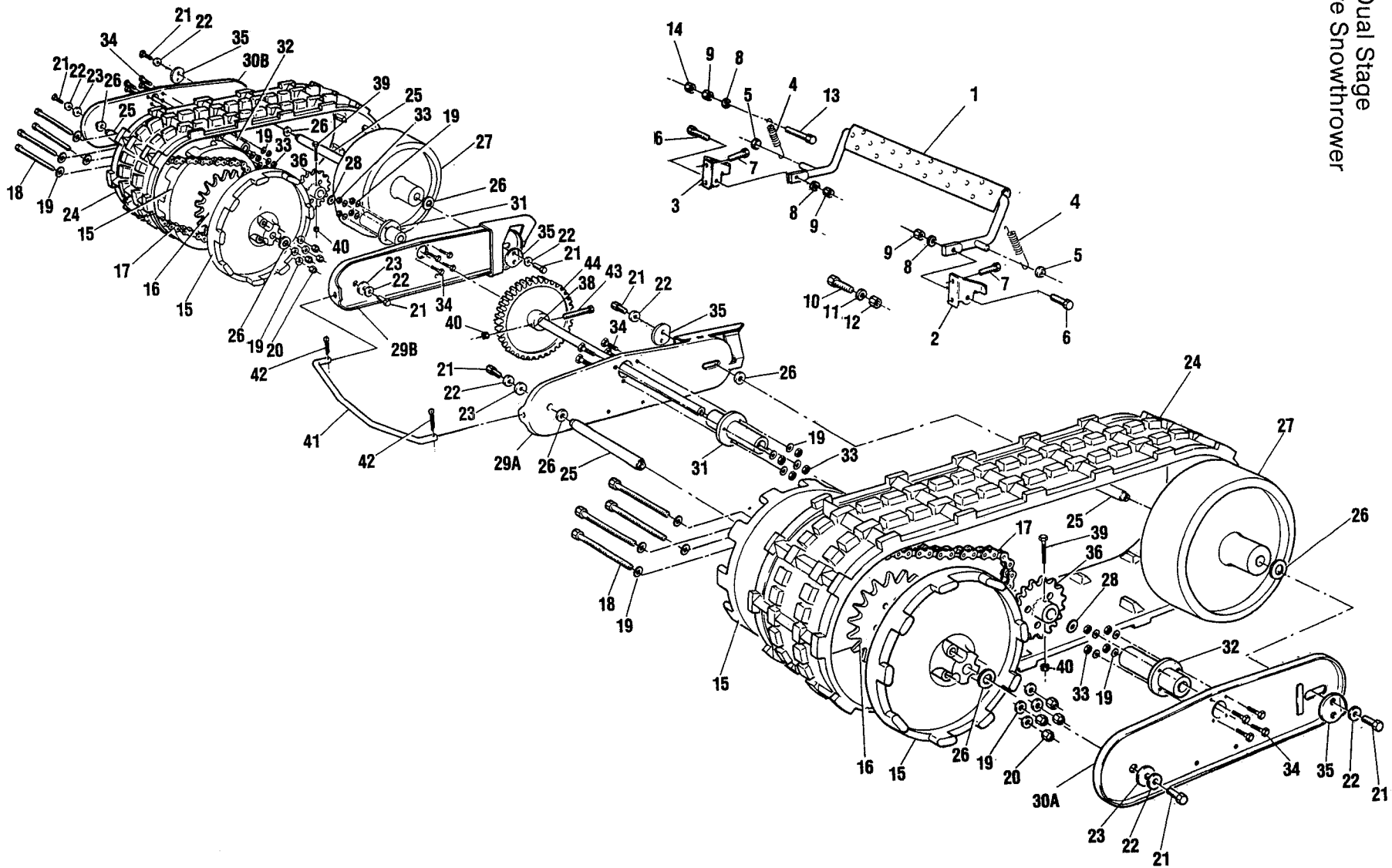
P/N 602632

**A825 T J****8 Hp 25" Dual Stage  
Track Drive Snowthrower****Motor Mount Assembly**

Ref. No.	Part No.	Description	Ref. No.	Part No.	Description
1	712992	Motor mount frame	57	707174	Pinion 8 tooth
2	707307	Belt cover	58	707166	Hex shaft
3		8 HP Tecumseh engine	59	314112	1/8 x 3/4 roll pin
4	150045	5/16-18 x 1-1/4 bolt	60	153262	1 1/4 - snap ring
5	311118	5/16 lockwasher	61	662833	Trunion bearing assembly
6	662973	Lever auger clutch	62	662551	Hub friction wheel
7	460824	1/2 - flat washer	63	707141	Friction wheel
8	153106	5/32 x 7/8 roll pin	64	153171	1/4-20 x 5/8 bolt
9	672261	Plastic bushing	65	715094	1/4 lockwasher
10	662981	Lever clutch cable	66	310052	1/4-20 hex nut
11	715300	1/4 - flat washer	67	662387	Pivot traction
12	153007	1/4-20 x 1/2 self tapping screw	68	525196	1/4-20 x 1 3/4 bolt
13	315085	5/16-18 x 1/2 self tapping screw	69	616375	1/4-20 locknut
14	153007	1/4-20 x 1/2 self tapping screw	70	153569	Spacer
15	662627	Bottom panel	71	715177	5/16-18 locknut
16	153080	Hypro key 3/16	72	662478	Traction shaft assy.
17	664672	Bearing needle	73	707109	Bushing
18	153239	Washer	74	317016	1/8 x 1 cotter pin
19	312066	5/16-18 x 3/4 bolt	75	153205	1/2 - push nut
20	153247	5/16 x 1 3/8 x 14 GA washer	76	662866	Disc drive
21	707273	Lever idler traction	77	664631	Traction hex shaft
22	707067	Spacer	78	664680	Bearing thrust
23	715177	5/16-18 locknut	79	662858	Spring
24	775718	Spring	80	662841	Spring traction
25	715524	3/8-16 hex jam nut	81	664649	Rod - traction
26	153015	3/8-16 x 1 1/4 bolt	82	662585	Bracket traction spring
27	715417	3/8 - flat washer	83	153122	1/8 x 1 3/8 spring pin
28	663484	Spacer belt retainer	84	153130	1/8 x 1/2 spring pin
29	662635	Belt guide L.H.	85	715029	3/32 x 3/4 cotter pin
30	662643	Belt guide R.H.	86	450353	1/4-20 x 1 1/4 bolt
31	715185	5/16 - flat washer	87	152967	1/4-20 locknut
32	153064	5/16-24 x 1 bolt	88	707828	Bearing axle
33	380063	5/16-18 x 1/2 bolt	89	664656	Axle
34	707406	PTO pulley	90	664664	48 tooth gear
35	157313	Key no. 5	91	153148	1/4-20 x 2 3/4 bolt (GR8)
36	380089	Washer thrust	92	708024	Bearing retainer inner
37	153239	Washer	93	708040	Ball bearing
38	672998	Spacer	94	708032	Bearing retainer outer
39	707257	Pulley auger drive		630129	(Not shown) Electric start Model 8250
40	153031	Washer			
41	153023	3/8 lockwasher			
42	312363	3/8-24 x 1 bolt			
43	170530	2" idler pulley			
44	664623	Auger clutch rod			
45	662825	Spring			
46	708008	Traction pulley 5"			
47	708016	Belt traction drive			
48	707232	Belt auger drive			
49	662437	Speed control shaft			
50	153155	Washer			
51	310011	3/8-16 locknut			
52	715334	10-24 keps nut			
53	708198	Bearing assembly			
54	707398	Flange bearing			
55	707380	Bearing			
56	153163	10-24 x 3/8 carriage bolt			

# Track Assembly

A825 T J  
8 Hp 25" Dual Stage  
Track Drive Snowthrower



P/L 689281

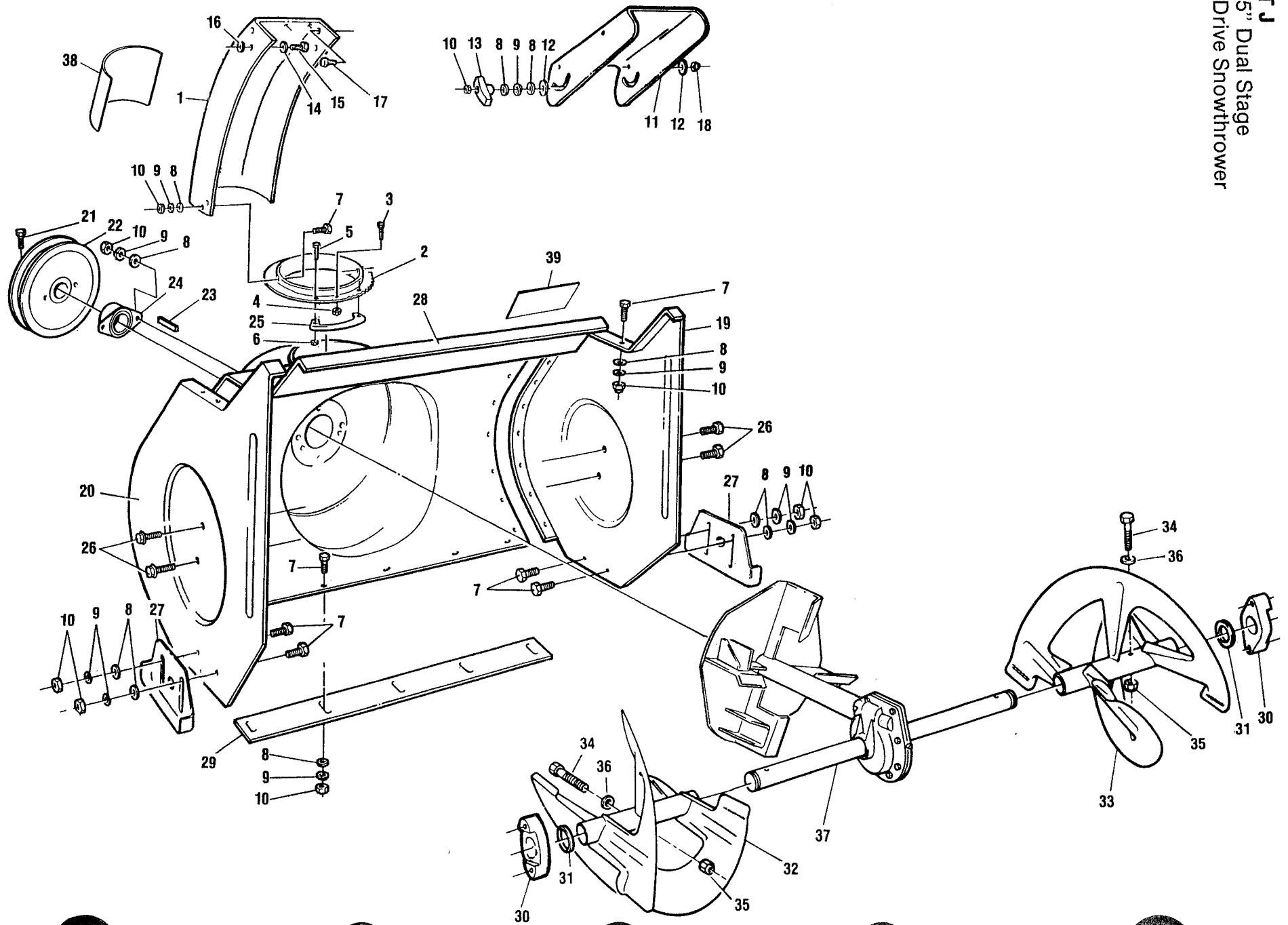
40

P/N 602532

**A825 T J**8 Hp 25" Dual Stage  
Track Drive Snowthrower**Track Assembly**

Ref. No.	Part No.	Description
1	664920	Foot pedal
2	664938	Bracket L.H.
3	664946	Bracket R.H.
4	664953	Spring
5	715474	1/2 pal nut
6	664961	Shoulder bolt
7	153007	1/4-20 x 1/2 self tapping screw
8	311118	5/16 lockwasher
9	310045	5/16-18 hex nut
10	715326	3/8-16 x 1 bolt GR5
11	150185	3/8 lockwasher
12	715524	3/8-16 jam nut
13	312066	5/16-18 x 3/4 bolt
14	715177	5/16 locknut
15	708230	Wheel - track drive
16	707059	Sprocket
17	708057	Chain
18	708099	1/4-28 x 3-3/4 GR5 bolt
19	715300	1/4 flat washer
20	708107	1/4-28 locknut
21	708115	5/16-24 x 1/2 bolt
22	708123	Bell washer
23	708131	Washer
24	708248	Track
25	708255	Shaft - track wheel
26	708149	1/2" hardened washer
27	708263	Idler wheel
28	708156	Washer
29A	666685	Track plate inner L.H.
29B	666693	Track plate inner R.H.
30A	665018	Track plate outer L.H.
30B	665026	Track plate outer R.H.
31	708271	Hub - inner
32	708289	Hub - outer
33	150391	1/4-20 locknut
34	150169	1/4-20 x 1 bolt
35	665059	Cam washer
36	708065	Sprocket
38	153239	Washer
39	708073	Shear bolt
40	152967	1/4-20 locknut
41	708297	Connecting rod
42	715011	Hair pin
43	153148	1/4-20 x 2-3/4 bolt
44	664664	48 tooth gear

# Auger Housing Assembly



**A825 T J**  
**8 Hp 25" Dual Stage**  
**Track Drive Snowthrower**

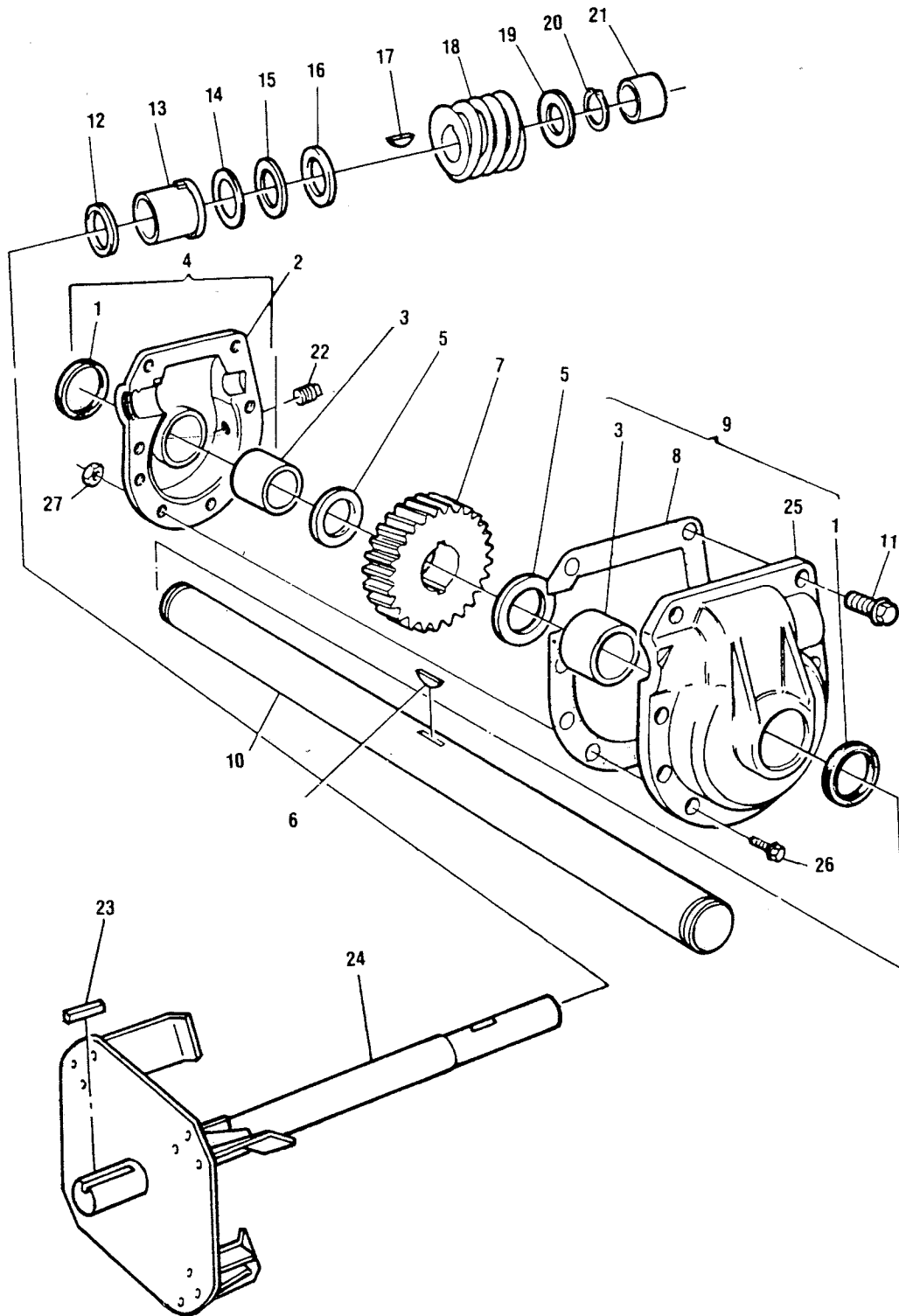
**Auger Housing Assembly**

Reference No.	Part No.	Description
1	698738	Chute extension
2	698449	Flange
3	150169	1/4-20 x 1 bolt
4	452615	1/4-20 locknut
5	458232	8-32 x 1/2 bolt
6	154096	8-32 locknut
7	313510	5/16-18 x 3/4 carriage bolt
8	715185	5/16 flat washer
9	311118	5/16 lockwasher
10	310045	5/16 hex nut
11	698746	Chute deflector
12	672972	Plastic washer
13	673509	Wing knob
14	461996	7/16 flat washer
15	313502	5/16-18 x 1 carriage bolt
16	715417	3/8 flat washer
17	157321	5/16-18 x 3/4 pan head slotted bolt
18	310151	5/16-18 locknut
19	665208	Side plate L.H.
20	665216	Side plate R.H.
21	380048	5/16-18 x 5/8 bolt
22	707190	Auger pulley 6.5"
23	707943	3/16 key
24	708222	7/8 bearing
25	697698	Retainer
26	457523	5/16-18 x 3/4 self tapping screw
27	662569	Height adjustor
28	665224	Auger housing 25"
29	662445	25" scraper bar
30	707661	Bushing auger shaft
31	153387	Washer
32	662528	25" serrated auger R.H.
33	662536	25" serrated auger L.H.
34	708206	1/4-20 x 1-3/4 bolt
35	152967	1/4-20 locknut
36	672980	Spacer
37	713016	25" gear box assembly
38	677690	Decal - Danger
39	677682	Decal - Danger



**A825 T J**  
8 Hp 25" Dual Stage  
Track Drive Snowthrower

**Gear Box Assembly**



**A825 T J**  
**8 Hp 25" Dual Stage**  
**Track Drive Snowthrower**

**Gear Box Assembly**

Reference No.	Part No.	Description
1	707471	Seal
2	707547	Housing L.H.
3	707463	Bearing
4	707455	Housing assembly L.H.
5	707430	Race thrust
6	153353	Key Woodruff #91
7	707422	Worm gear
8	707448	Gasket
9	707489	Housing assembly R.H.
10	662494	25" auger shaft
11	153361	5/16-24 x 1-1/2 bolt
12	153346	Ring quad
13	708214	Bearing impeller shaft
14	153320	Race thrust
15	153312	Bearing needle
16	153304	Race thrust
17	153080	Key 3/16"
18	707513	Worm
19	152959	Race thrust
20	153296	Ring retainer
21	707505	Bearing impeller shaft
22	153288	Grease plug
23	707943	3/16" key
24	713024	Impeller shaft assy.
25	707539	Housing R.H.
26	153064	5/16-24 x 1 bolt
27	153189	5/16-24 flange locknut
	713016	25" gear box assembly (complete)