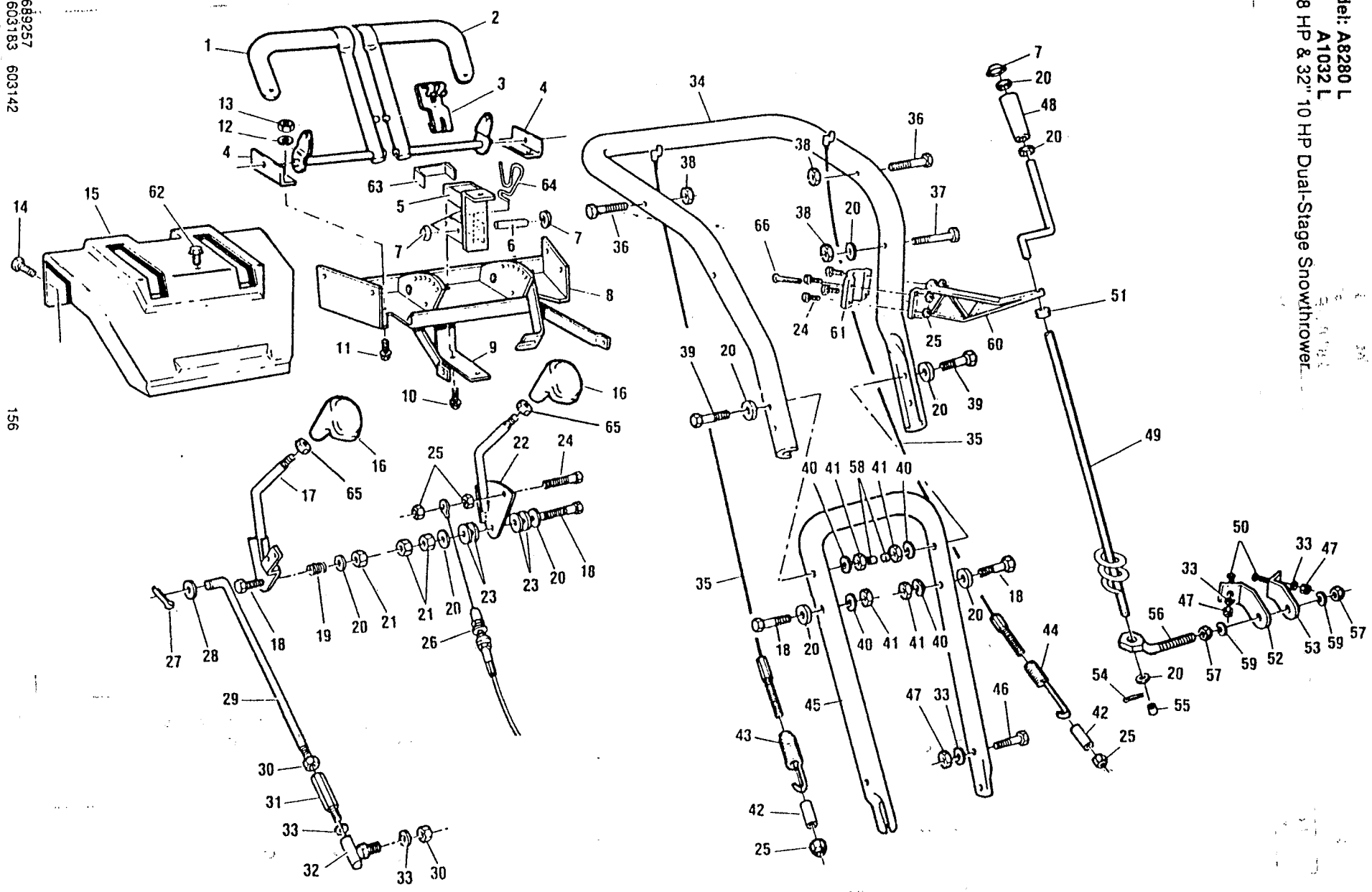


# Upper Handle Assembly

Model: A8280 L  
 A1032 L  
 28" 8 HP & 32" 10 HP Dual-Stage Snowthrower

P/L 689257  
 S/N 603183 603142

156



# Upper Handle Assembly

Model: A8280 L  
A1032 L

28" 8 HP & 32" 10 HP Dual-Stage Snowthrower

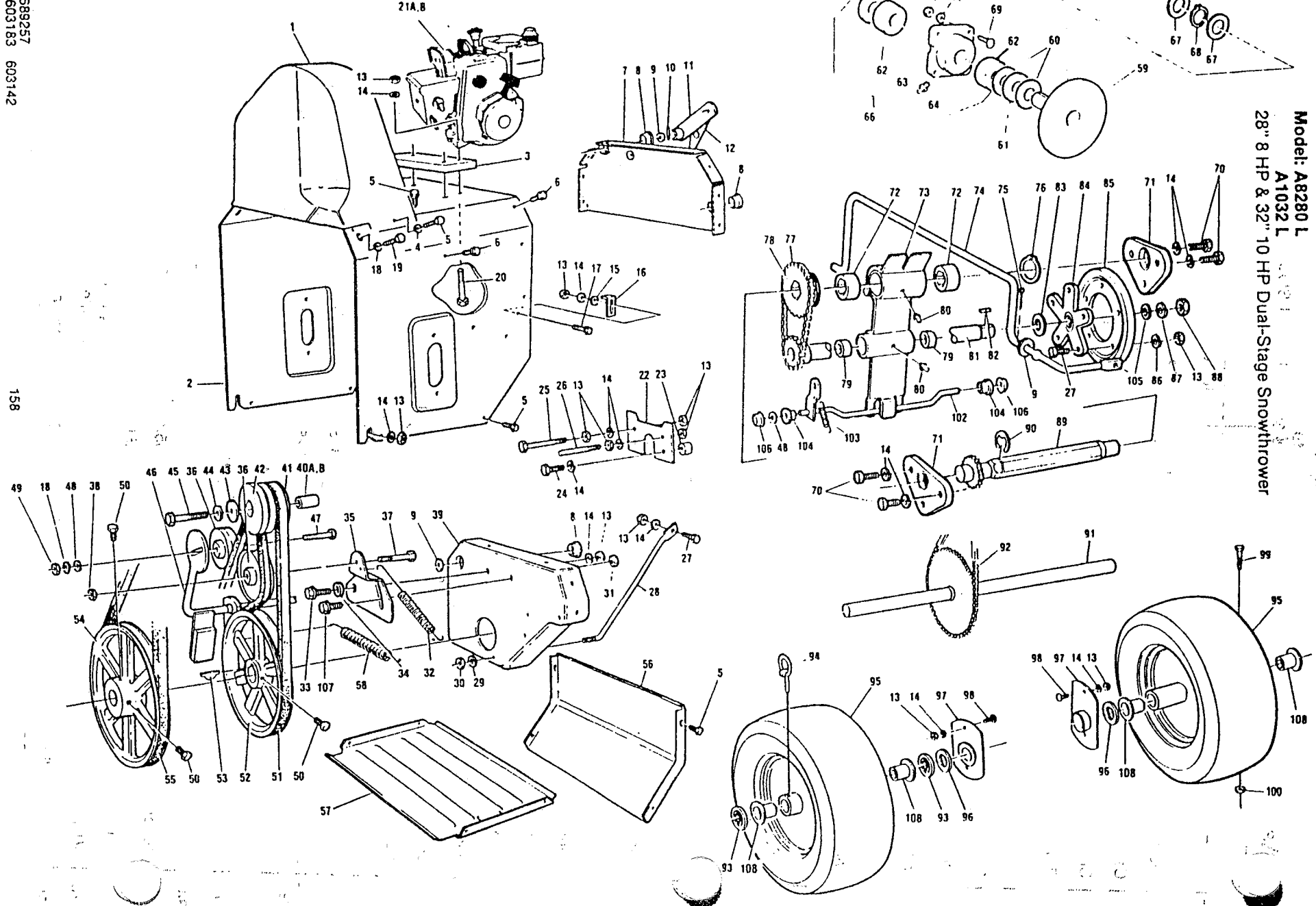
Ref. No.	Part No.	Description	Ref. No.	Part No.	Description
1	657940	Clutch handle R.H.	35	645655	Clutch cable
2	657932	Clutch handle L.H.	36	150250	5/16-18 x 1-1/2 bolt
3	713180	Cam lock	37	312280	5/16-18 x 1-3/4 bolt
4	657361	Clutch handle bracket	38	715177	5/16-18 locknut
5	666644	Bracket light	39	456780	3/8-16 x 3 bolt
6	657411	Pin latch	40	150185	3/8 lockwasher
7	152926	3/8 cap retainer	41	715391	3/8-16 hex nut
8	664755	Console bracket remote	42	657270	Spacer
9	657312	Bracket console support	43	645622	Spring auger clutch
10	315085	5/16-18 x 1/2 self tapping screw	44	707612	Spring drive clutch
11	715052	1/4-20 x 1/2 bolt	45	657254	Lower handle
12	715094	1/4 lockwasher	46	312066	5/16-18 x 3/4 bolt
13	310052	1/4-20 hex nut	47	310045	5/16-18 hex nut
14	153007	1/4-20 x 1/2 self tapping screw	48	672253	Handle crank
15	657353	Console Remote	49	663278	Crank
16	112169	Control knob	50	313510	5/16-18 x 3/4 carriage bolt
17	657288	Speed control lever	51	672220	Grommet
18	312322	3/8-16 x 1-3/4 bolt	52	697664	Bracket chute rotate L.H.
19	645630	Spring	53	697672	Bracket chute rotate R.H.
20	715417	3/8 flat washer	54	151472	3/32 x 1 cotter pin
21	451195	3/8-16 locknut	55	672956	Plastic cap
22	657304	Deflector lever remote	56	664771	Rod chute control
23	645648	Spring washer	57	157339	1/2-20 jam nut
24	150169	1/4-20 x 1 bolt	58	672964	Plastic stop
25	150391	1/4 x 20 locknut	59	311035	1/2 lockwasher
26	645697	Remote chute cable	60	663252	Bracket crank
27	715029	3/32 x 3/4 cotter pin	61	663260	Bracket clamp crank
28	715185	5/16 flat washer	62	457523	5/16-18 x 3/4 self tapping screw
29	657296	Rod speed control	63	673483	Rubber pad
30	152934	5/16-24 hex nut	64	666651	Spring cam assist
31	664763	Adaptor	65	715524	3/8 - 16 Hex jam nut
32	707372	Ball joint	66	156505	10-24 x 3/4 Screw
33	311118	5/16 lockwasher		630160	(Not shown) Light kit with out alternator
34	697656	Upper handle		630137	with alternator

# Motor Mount Assembly

For Models A8280 J, A1032 J

P/L 689257  
S/N 603183 603142

158



Model: A8280 L  
A1032 L  
28" 8 HP & 32" 10 HP Dual-Stage Snowthrower

# Motor Mount Assembly

Model: A8280 L

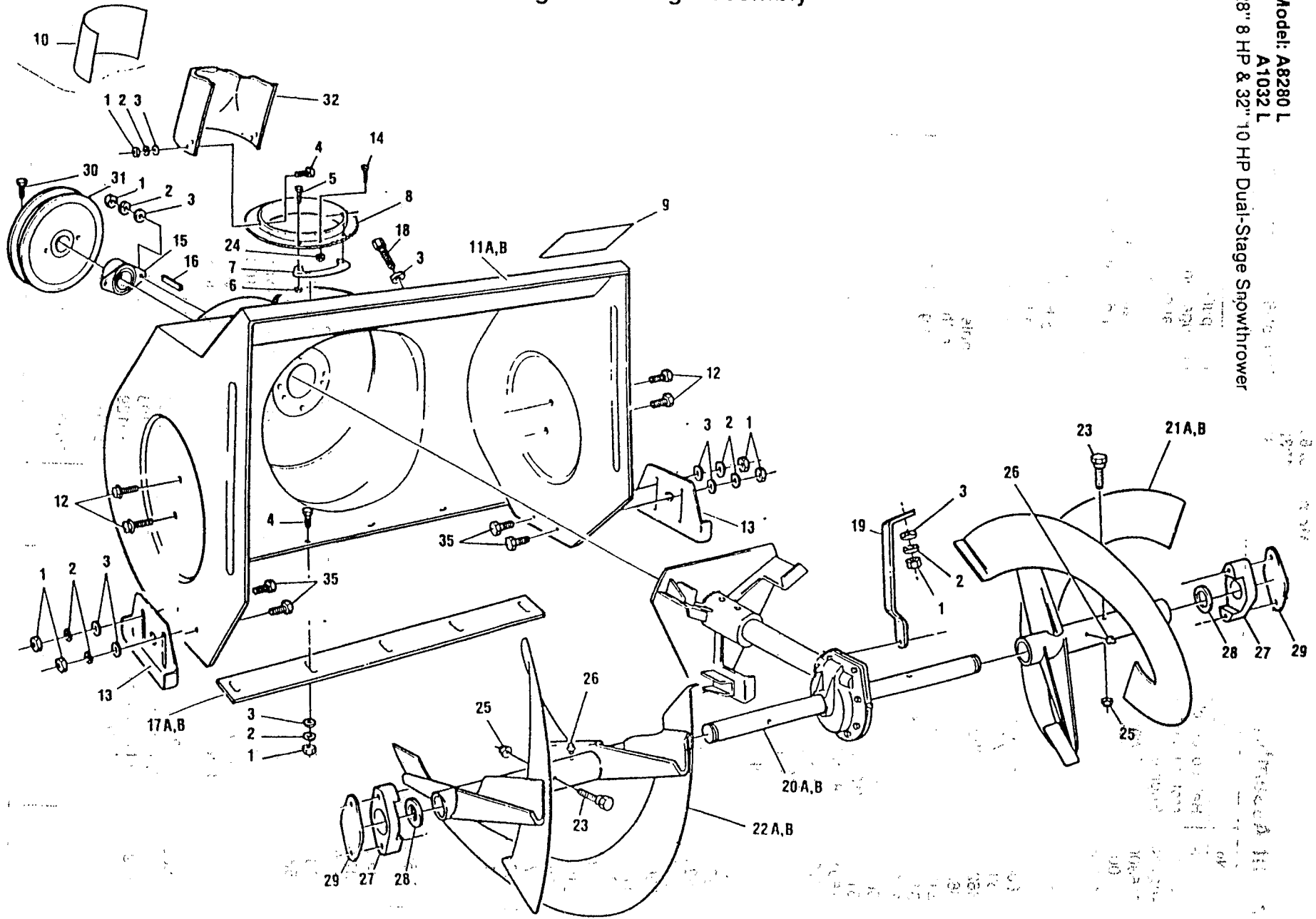
A1032 L

28" 8 HP & 32" 10 HP Dual-Stage Snowthrower

Ref. No.	Part No.	Description	Ref. No.	Part No.	Description
1	672246	Belt cover (black)	54	419713	Auger pulley 8.4"
2	697771	Motor mount frame	55	707687	Belt auger drive
3	662999	Engine riser	56	663245	Rear panel
4	715300	1/4 flat washer	57	663054	Bottom panel
5	153007	1/4-20 x 1/2 self tapping screw	58	664813	Spring auger brake
6	315085	5/16-18 x 1/2 self tapping screw	59	729905	Friction disc assembly
7	697789	End plate	60	152959	Race thrust
8	672261	Plastic bushing	61	707562	Needle bearing
9	460824	1/2 flat washer	62	423228	Needle bearing
10	153106	5/32 x 7/8 roll pin	63	707711	Spindle housing
11	662973	Lever auger clutch	64	707729	Grease fitting
12	662981	Lever clutch cable	65	707760	Seal
13	310045	5/16-18 hex nut	66	707570	Spindle housing
14	311118	5/16 lockwasher	67	461830	Race thrust
15	715185	5/16 flat washer	68	153296	3/4 ring retainer
16	662916	Bracket clutch adjustment	69	313510	5/16-18 x 3/4 carriage bolt
17	313510	5/16-18 x 3/4 carriage bolt	70	312082	5/16-18 x 1/2 bolt
18	150185	3/8 lockwasher	71	707737	Drive bushing
19	157347	3/8-16 x 1 self tapping screw	72	423475	Drive shaft hex bearing
20	157644	5/16-18 x 2-1/2 bolt GR 5	73	428425	Clutch plate
21A		8 HP Tecumseh engine	74	763342	Yoke speed
21B		10 HP Tecumseh engine	75	715029	3/32 x 3/4 cotter pin
22	663005	Belt guide plate	76	790709	Retainer
23	153569	Spacer	77	707984	Chain
24	153064	5/16-24 x 1 bolt	78	707976	Drive sprocket
25	154146	5/16-18 x 3 bolt	79	664821	Bearing clutch
26	666669	Belt guide	80	415737	Grease fitting
27	312066	5/16-18 x 1-3/4 bolt	81	664342	Shaft gear assembly
28	783845	Rod spindle support	82	446690	1/8 key
29	715094	1/4 lockwasher	83	461822	Washer
30	310052	1/4-20 hex nut	84	707950	Hub friction wheel
31	715177	5/16-18 locknut	85	707968	Friction wheel
32	707695	Spring drive idler	86	153510	5/16 external tooth lockwasher
33	157362	5/16-18 x 3/4 shoulder bolt	87	150185	3/8 lockwasher
34	461996	7/16 flat washer	88	310029	3/8-24 hex nut
35	771246	Idler bracket	89	663369	Hex shaft
36	419762	3" idler pulley	90	664839	Retainer
37	153015	3/8-16 x 1-1/4 bolt	91	664326	Axle
38	715524	3/8-16 jam nut	92	707802	Chain
39	664797	Spindle plate	93	663476	Retainer
40	664805	Engine pulley spacer	94	153619	Click pin
41	707745	Pulley traction drive	95	042853	Wheel
42	707752	Pulley auger drive	96	153239	Washer
43	153031	Washer	97	664334	Axle bracket
44	153023	3/8 lockwasher	98	313510	5/16-18 x 3/4 carriage bolt
45	157370	3/8-24 x 1-1/4 bolt	99	312090	1/4-20 x 1-1/2 bolt GR 5
46	662965	Auger clutch rod	100	152967	1/4-20 locknut
47	312272	3/8-16 x 1-1/2 bolt	101	663286	(Not shown) Tire chain kit (8280 & 1032)
48	715417	3/8 flat washer	102	763417	Yoke drive
49	715524	3/8-16 jam nut	103	775684	Spring clutch yoke return
50	380048	5/16-18 x 5/8 bolt	104	707638	Bushing
51	707596	Belt traction drive	105	645648	Spring washer
52	419648	Traction pulley 7"	106	657403	3/8 cap retainer
53	153080	3/16 key	107	630129	(Not shown) Electric start
			107	457523	5/16-18 x 3/4 self tapping screw
			108	708784	Bushing wheel

# Auger Housing Assembly

Model: A8280 L  
A1032 L  
28" 8 HP & 32" 10 HP Dual-Stage Snowthrower



# Remote Chute Assembly

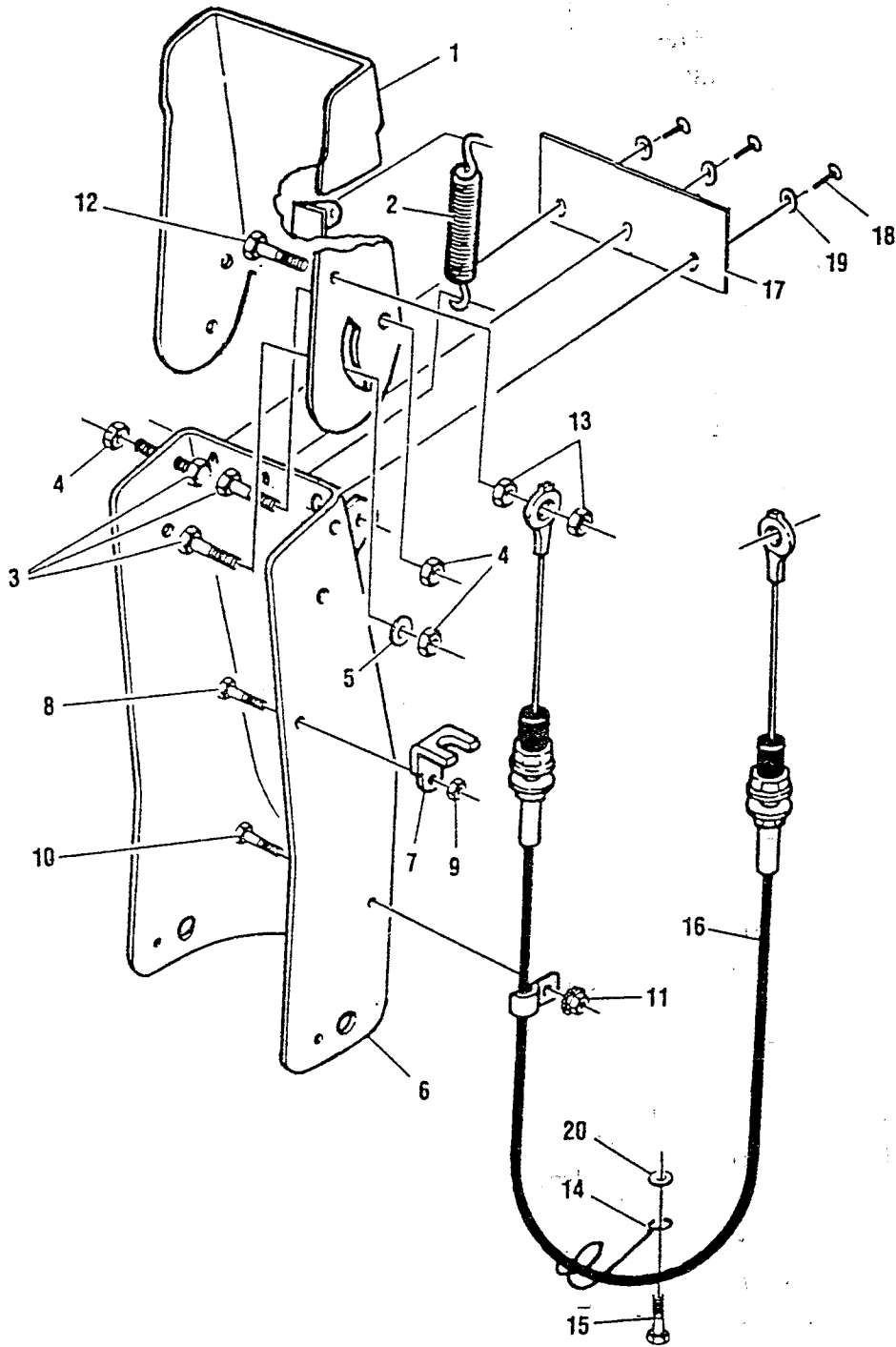
Model: A8280 L  
A1032 L

28" 8 HP & 32" 10 HP Dual-Stage Snowthrower

Reference No.	Part No.	Description
1	310045	5/16-18 hex nut
2	311118	5/16 lockwasher
3	715185	5/16 flatwasher
4	313510	5/16-18 x 3/4 carriage bolt
5	458232	8-32 x 1/2 bolt
6	154096	8-32 locknut
7	790659	Retainer
8	698753	Flange
9	677682	Decal - Danger
10	677690	Decal - Danger
11A	697730	Auger housing 28"
11B	697748	Auger housing 32"
12	457523	5/16-18 x 3/4 self tapping scre
13	662569	Height adjustor
14	150169	1/4-20 x 1 bolt
15	708222	7/8 bearing
16	707943	3/16 key
17A	663096	28" scraper bar
17B	663088	32" scraper bar
18	312058	5/16-18 x 1 bolt
19	697763	Gear box brace
20A	707653	28" gear box assembly
20B	707646	32" gear box assembly
21A	663120	28" serrated auger L.H.
21B	663112	32" serrated auger L.H.
22A	663146	28" serrated auger R.H.
22B	663138	32" serrated auger R.H.
23	380055	Shear bolt
24	452615	1/4-20 locknut
25	715177	5/16-18 locknut
26	415687	Grease fitting
27	707661	Bushing auger shaft
28	153700	Washer
29	153718	Spacer
30	380048	5/16-18 x 5/8 bolt
31	419713	Auger pulley 8 4"
32	664698	Chute extension remote (See Remote Chute Assembly)

Model: A8280 L  
A1032 L  
28" 8 HP & 32" 10 HP Dual-Stage Snowthrower

### Remote Chute Assembly



Model: A8280 L  
 A1032 L  
 28" 8 HP & 32" 10 HP Dual-Stage Snowthrower

### Remote Chute Assembly

Reference No.	Part No.	Description
1	663203	Chute deflector remote
2	663518	Spring
3	157321	5/16-18 x 3/4 pan head slotted bolt
4	310151	5/16-18 locknut
5	672972	Plastic washer
6	664698	Chute extension remote
7	664706	Bracket cable
8	312082	5/16-18 x 1/2 bolt
9	715177	5/16-18 locknut
10	120048	10-24 x 3/8 bolt
11	452318	10-24 locknut
12	150169	1/4-20 x 1 bolt
13	150391	1/4 x 20 locknut
14	664714	Remote wire form
15	156463	5/16-18 x 3 bolt GR5
16	645697	Remote cable
17	707927	Skirt snow chute
18	707935	6/16 rivet
19	462424	#10 - flat washer
20	715185	5/16 flat washer

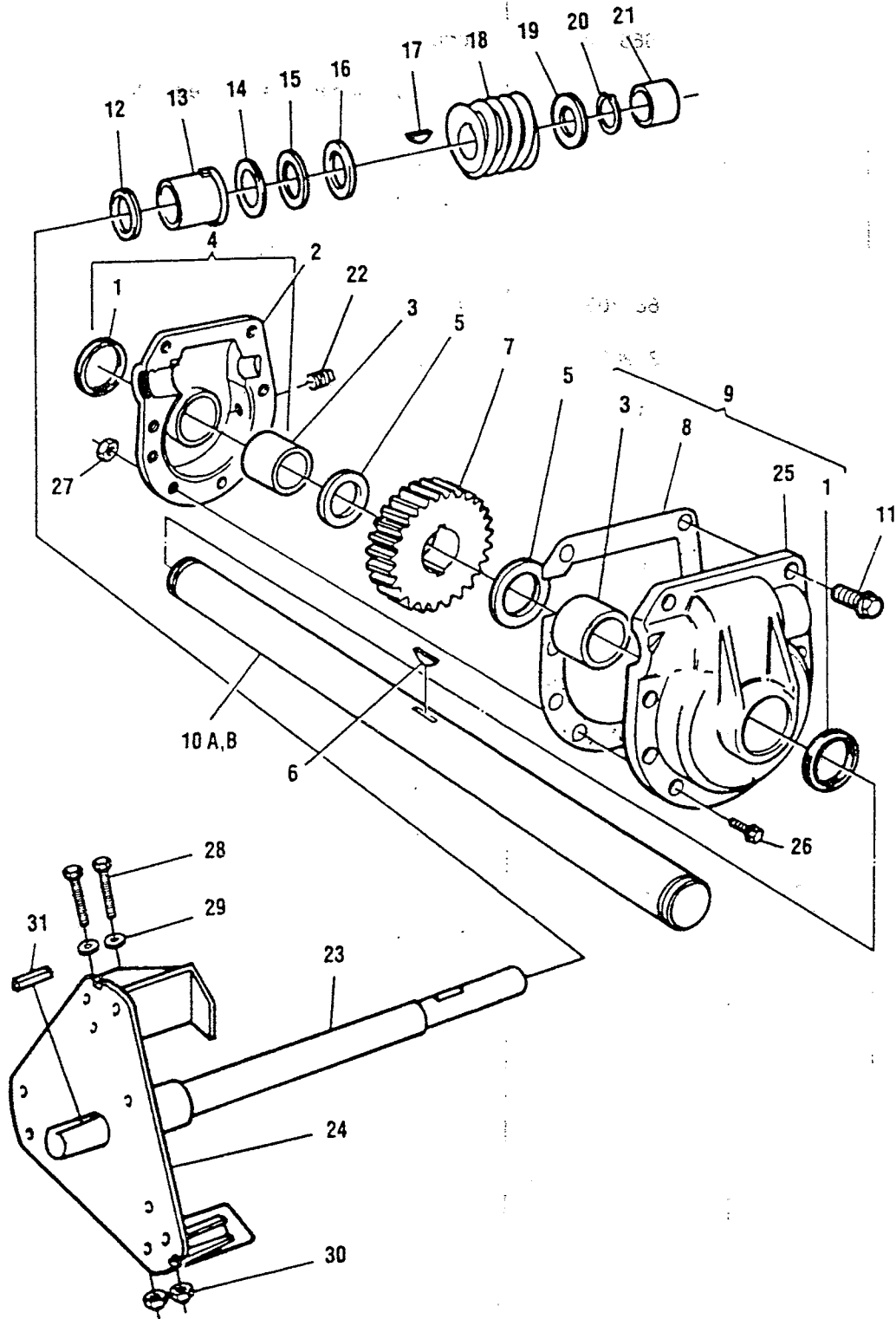


Model: A8280 L

Part No: A1032 L

28" 8 HP & 32" 10 HP Dual-Stage Snowthrower

### Gear Box Assembly



Model: A8280 L  
A1032 L

28" 8 HP & 32" 10 HP Dual-Stage Snowthrower

### Gear Box Assembly

Ref. No.	Part No.	Description
1	707471	Seal
2	707547	Housing L.H.
3	707463	Bearing
4	707455	Housing assembly L.H.
5	707430	Race thrust
6	153353	Key Woodruff #91
7	707422	Worm gear
8	707448	Gasket
9	707489	Housing assembly R.H.
10A	663328	28" auger shaft
10B	663336	32" auger shaft
11	153486	5/16-24 x 1-3/4 bolt
12	153346	Ring quad
13	153338	Bearing impeller shaft
14	153320	Race thrust
15	153312	Bearing needle
16	153304	Race thrust
17	153080	Key 3/16"
18	707513	Worm
19	152959	Race thrust
20	153296	Ring retainer
21	707505	Bearing impeller shaft
22	153288	Grease plug
23	663344	Impeller shaft
24	663104	Impeller
25	707539	Housing R.H.
26	153064	5/16-24 x 1 bolt
27	153189	5/16-24 flange locknut
28	153148	1/4-20 x 2-1/4 bolt
29	715300	1/4 flat washer
30	152967	1/4-20 locknut
31	707943	3/16 key
	707653	28" gear box assembly (complete)
	707646	32" gear box assembly (complete)