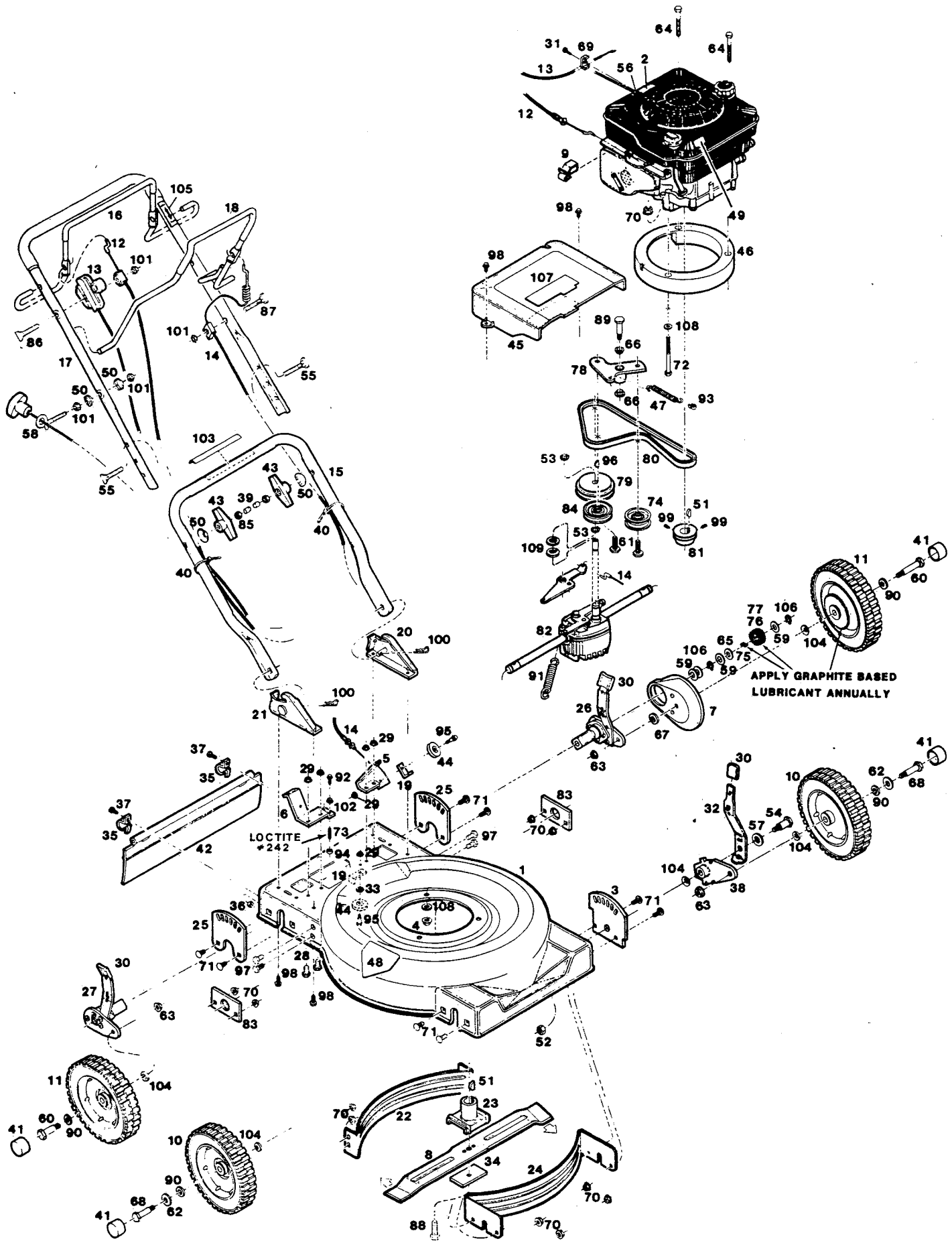


**MODEL AE2471K
20" SELF-PROPELLED MULCHING MOWER**



**MODEL AE2471K
20" SELF-PROPELLED MULCHING MOWER**

Index No.	Part No.	Description	Index No.	Part No.	Description
1	022186	Deck 20" Mulcher	55	151936	Bolt - Curved Head 5/16-18 x 2 1/4
2	001206	Decal - Warning Blade Rotation	56	152074	Rope Stop
3	091850	Plate - Height Adjuster - Front	57	164020	Washer - Hardened
4	616342	Nut - 5/16-18 Center Lock	58	152371	Rope Guide
5	088674	Bracket - Pulley Mounting	59	152553	Washer-Thrust 1/2
6	088658	Bracket - Trans Pulley	60	154328	Bolt - Wheel, Rear
7	022236	Cover - Drive Wheel	61	154369	Bolt - 3/8-16 x 1 1/4 Shaved Head
8	030189	Blade - 20" Mulcher	62	156075	Washer - Flat 1/2
9	381442	Clip - Tinnerman	63	156406	Nut - Hex 3/8-16 Flange
10	041418	Wheel - Front 8"	64	156463	Bolt - Hex 5/16-18 x 2-3/4 Gr. 5
11	041442	Wheel - Rear 8" w/Gear	65	156638	Washer - Flat 1/2
12	052209	Cable - Engine/Blade Control	66	156653	Bearing - Flange Nylon
13	052217	Cable - Throttle Control	67	616854	Washer - 3/8
14	052522	Cable - Drive Engagement	68	153668	Bolt - Wheel, Front
15	071563	Handle - Lower	69	157552	Clamp - Cable
16	104687	Bail - Engine/Blade Control	70	157610	Locknut - Flange 5/16-18
17	073247	Handle - Upper	71	158907	Bolt - Carriage 5/16-18 x 5/8
18	089615	Bail - Ground Drive	72	163964	Bolt - 5/16-18 x 4 Gr. 5
19	096305	Bracket Cable Retainer	73	163840	Stud - Short
20	088435	Bracket - Handle LH	74	170621	Pulley - Idler, Flat
21	088427	Bracket - Handle RH	75	171041	Dog - Drive
22	087080	Baffle - Rear	76	171058	Gear - Drive RH
23	089888	Blade Adapter	77	171066	Gear - Drive LH
24	087288	Baffle - Front	78	171496	Arm - Idler
25	088815	Plate - Height Adjuster - Rear	79	171819	Pulley - 2 Speed
26	089987	Wheel Arm Assembly L.H. Rear	80	171652	V-Belt
27	089979	Wheel Arm Assembly R.H. Rear	81	171660	Sheave - Engine
28	457044	Bolt - 1/4-20 x 1/2	82	171751	Transmission Assembly
29	715078	Nut - 1/4-20 Flange Lock	83	179176	Support - Wheel Hub
30	114462	Tip - Plastic	84	305367	Pulley - Idler V-Groove
31	150623	Screw - Hex Slotted #10 x 5/8	85	310045	Nut - 5/16-18
32	091835	Lever Height Adjuster - Front	86	380550	Bolt - Curved Head 1/4-20 x 2 1/4
33	158956	Washer - 1/4	87	150029	Bolt - Curved Head 1/4 x 1 1/2
34	106005	Washer - Blade	88	381624	Bolt - Blade 3/8-24 x 2 Gr. 8
35	106914	Clip-Trailing Shield	89	381665	Bolt - Shoulder
36	452318	Nut #10-24 Hex Nylon Insert	90	156620	Washer 1/2 x 1
37	458687	Bolt #10-24 x 1/2	91	381780	Spring - Transmission Return
38	091819	Wheel Arm - Front	92	150326	Screw #10-24 x 1/2 Hex Slot Head
39	110064	Cap - Plastic Bolt	93	381889	Clip - "U" Tinnerman
40	110379	Cable Tie	94	382150	Spacer
41	112045	Cap-Hub	95	158683	Bolt - Shoulder 1/4-20
42	114421	Trailing Shield - Plastic	96	446450	Key - Woodruff
43	113589	Knob - Handle	97	159780	Bolt - Hex 5/16-18 x 5/8 Flange
44	112177	Pulley - Drive Cable	98	457499	Bolt - 1/4-20 x 1/2 Thread Forming
45	114108	Cover - Transmission	99	315093	Screw Set 5/16-18 x 1/4
46	114132	Spacer - Engine	100	715011	Hairpin Cotter
47	135665	Spring - Extension	101	715037	Nut - 1/4-20 Keps
48	143115	Decal - Warning CPSC	102	715334	Nut #10-24 Keps
49	148411	Decal - Warning Oil Overfill	103	715557	Decal - Starting Instructions
50	150201	Washer - Curved 5/16	104	715607	Washer - Belleville
51	150276	Woodruff Key #6	105	794412	Decal - Drive Control
52	715441	Nut 3/8-16 Twin Whiz	106	153940	Ring - Transmission - Axle
53	151282	Ring - Transmission - Top	107	794974	Decal - Heat Reflector
54	163972	Bolt - Shoulder	108	158212	Washer - 5/16
			109	162289	Spacer - Notched

- This parts list covers several different mower models; not all of the parts listed may be used on the particular model you are working with.
- When servicing use only **Genuine Factory Replacement Parts (OEM)** that are specifically designed for the particular model that you are working with.
- Parts are right or left hand as viewed from the operator's position
- Model specifications are subject to change without prior notice.
- **Do not operate** the mower unless all parts are attached and in good working order
- Lawn mower deck and/or other painted parts differing in color may be substituted without notice