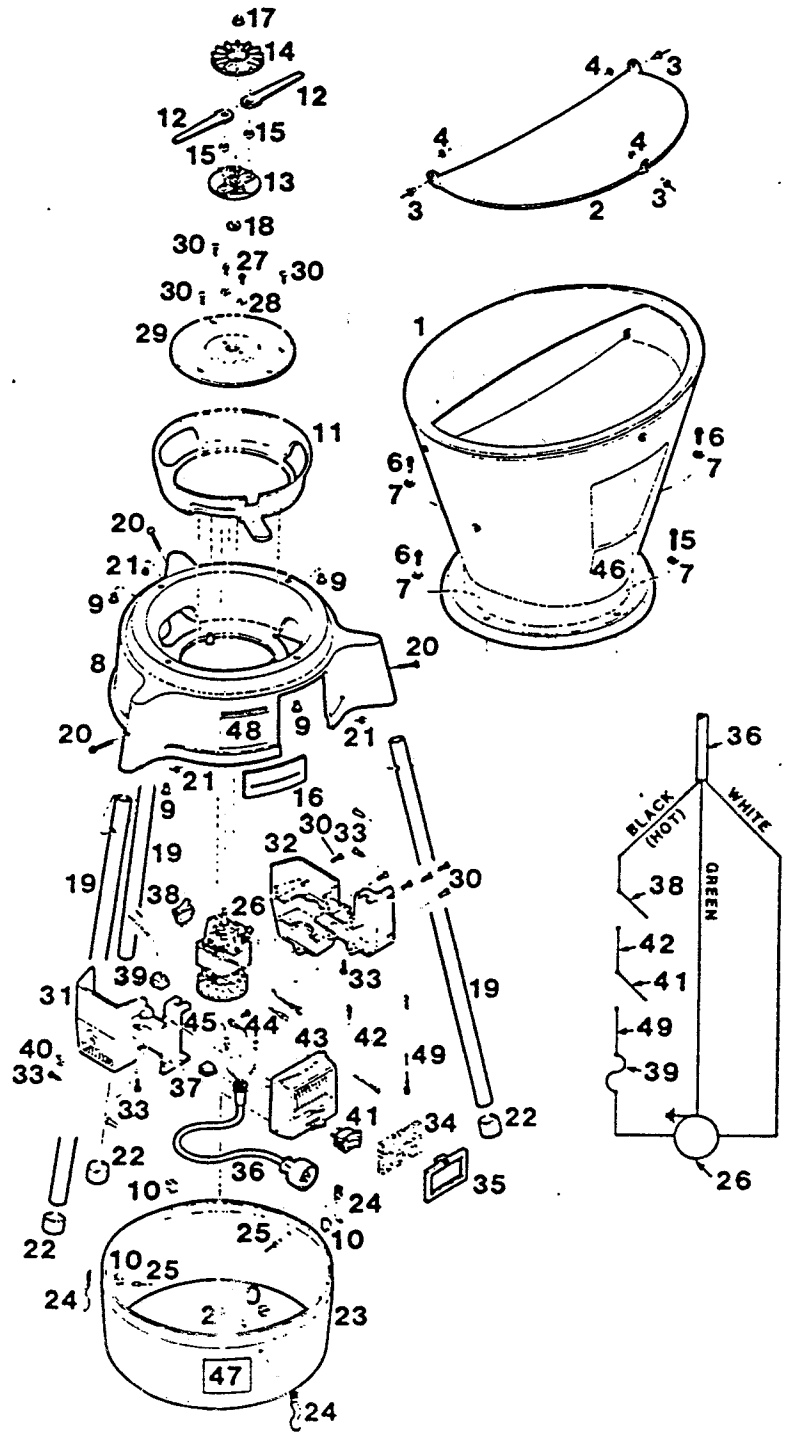


MODEL: ALSAL/AWLSAL/ALSARL/AWLSARL
ELECTRIC LEAF MULCHER

Index No.	Part No.	Description
1	402925	Hopper-Plastic w/Baffle (Includes next 3 parts)
2	400770	Baffle Hopper
3	764217	Rivet-Pop 1/8 x 3/8
4	462051	Washer-Flat
5	381129	Screw-Hex Flange 1/4-20 x 1-3/8
6	381145	Screw-Hex Flange 1/4-20 x 3/4
7	158956	Washer-Flat 1/4
8	713735	Base-Plastic w/Threaded Inserts
9	381137	Insert-Threaded 1/4-20
10	381285	Clip-Retainer
11	400572	Bowl-Mulcher w/Lever
12	402289	Blade-Cutting (Plastic)
13	402321	Hub-Blades w/Pins, Lower
14	402263	Hub-Blade Retaining, and Fan
15	401810	Bushing - blades
16	401836	Strip-Rubber, Mulcher Lever
17	157610	Nut-Hex Lock 5/16-18 Flange
18	400705	Washer-Threaded 5/16-18
19	400762	Leg-Mulcher
20	459370	Screw-Slotted #10-24 x 1-1/2
21	452318	Nut-Hex #10-24 Nylok
22	400374	Tip-Leg Bottom
23	402958	Skirt-Plastic w/Bag Clips
24	401950	Clip-Bag Retainer
25	715276	Rivet-Pop
26	400481	Motor-Electric
27	150326	Screw-Hex Slotted #10-24 x 1/2
28	381376	Washer-Lock 3/16 Int Tooth
29	400564	Plate-Motor Mount
30	381384	Screw-Phillips Hd #10 x 3/4
31	401851	Housing-Motor LH w/opening
32	401869	Housing-Motor RH
33	381210	Screw-Plastite #10 x 3/4
34	400499	Filter-Air
35	400812	Retainer-Filter
36	403931	Cord-Electric w/Plug
37	400838	Retainer-Cord
38	400523	Switch-Safety Interlock
39	400531	Circuit Breaker
40	159251	Nut-Circuit Breaker 7/16-32
41	400515	Switch-Power On/Off
42	400853	Wire-Black 8"
43	403808	Housing-Switch and Filter
44	381301	Screw-Slotted #6-32 x 3/8
45	462226	Washer-Lock #6 Int Tooth
46	400663	Decal-Warning
47	403915	Decal-Warning bi-lingual
48	401117	Decal-Instructions
49	403980	Wire-yellow 5-1/2"
--	400069	Goggles
--	402677	Kit-Blades (6) & Bushings (3)



- When servicing this unit use only genuine General Power OEM replacement parts that are specifically designed and engineered for this particular model.
- Do not operate unit unless all parts are properly attached and in good working order.
- Parts are right or left hand as viewed from the operator's position.
- Specifications are subject to change without notice.

S/N 407171/407262/407387/407395
O/M 404285
P/B 402909