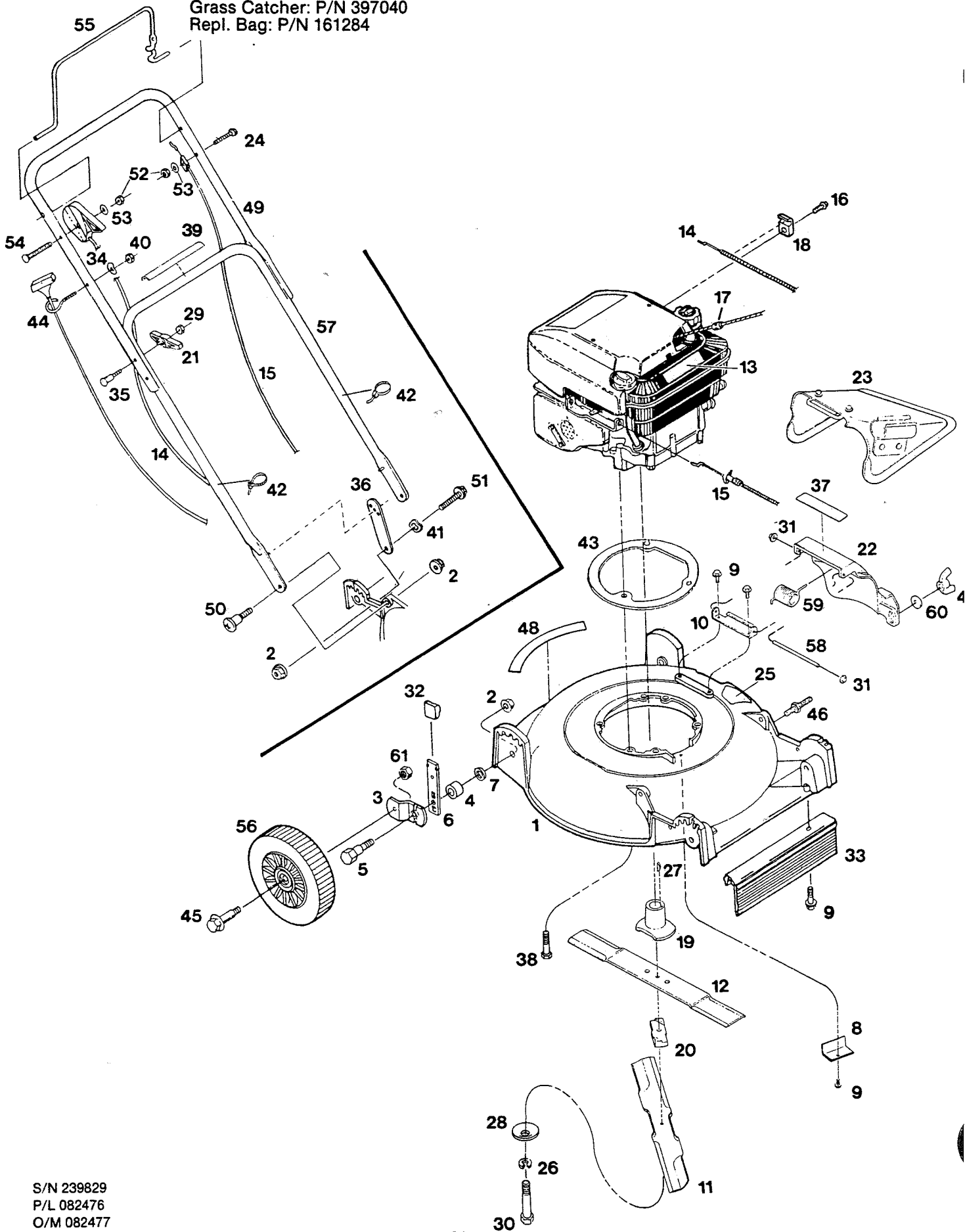


**MODEL: APCM20/5L**  
**20" CUT CONVERTIBLE MULCHING ROTARY MOWER**

Use Grass Catcher Model: APMM-GC.

Grass Catcher: P/N 397040

Repl. Bag: P/N 161284



S/N 239829  
P/L 082476  
O/M 082477  
E/M 189142

**MODEL: APCM20/5L**  
**20" CUT CONVERTIBLE MULCHING ROTARY MOWER**  
 Use Grass Catcher Model: APMM-GC  
 Grass Catcher: P/N 397040  
 Repl. Bag: P/N 161284

INDEX NO.	PART NO.	DESCRIPTION	INDEX NO.	PART NO.	DESCRIPTION
1	094913	Deck - 20" red	31	452128	Nut - 1/4 push-on
2	159236	Nut - 5/16" flg. lock	32	579717	Plastic tip - height adjuster
3	586794	Wheel arm	33	579730	Trailing shield - plastic
4	581274	Spacer - wheel	34	580335	Washer - 1/4" curved
5	581490	Bolt - height adjuster	35	581463	Bolt - handle
6	588452	Setting lever assembly L.H.	36	581507	Handle support
	588451	Setting lever assembly R.H.	37	799506	Decal - mulch cover danger
7	715185	Washer - flat 5/16"	38	382881	Bolt - 3/8-16 x 1-3/4" HHCS Gr. 5
8	589328	Cover - belt	39	715557	Decal - starting instructions
9	583021	Screw - 1/4-20 x 3/4" hex tap	40	583166	Nut - 1/4-20 lock
10	095003	Bracket - hinge	41	583302	Washer - 5/16" wave
11	031420	Blade - 20"	42	587059	Cable tie
12	031421	Blade - recut 20"	43	587233	Engine ring
13	799503	Decal - blade warning	44	587287	Eyebolt - 1/4-20
14	052951	Control - throttle w/cable	45	382879	Bolt - wheel
15	052969	Cable - engine/blade control	46	587992	Stud - 1/4-20 x 3/4"
16	150623	Screw - #10-16 x 5/8" tap	47	587998	Nut - 1/4-20 wing
17	152074	Rope stop	48	799562	Decal - logo
18	157552	Cable clamp	49	588434	Handle - upper
19	094906	Adapter - blade	50	588491	Bolt - handle mtg.
20	094911	Spacer - blade	51	588499	Bolt - handle supt.
21	113589	Wing nut - plastic	52	310052	Nut - 1/4-20 hex
22	115329	Cover - mulch 20"	53	588515	Washer - 1/4" star
23	115417	Chute deflector assembly	54	588161	Screw - 1/4-20 x 2" truss hd.
24	118502	Screw - 1/4-20 x 1-1/4" truss hd.	55	588612	Bail - engine/blade control
25	587522	Decal - CPSC danger	56	588697	Wheel - 8" push
26	156919	Washer - 3/8" lock H.D.	57	588807	Handle - lower
27	162636	Key - woodruff #61	58	604081	Hinge rod
28	164681	Washer - 3/8" conical	59	604082	Spring - mulch cover
29	310045	Nut - 5/16-18 hex	60	615690	Washer - 1/4" flat
30	382846	Bolt - 3/8-24 x 3-1/2" HHCS Gr. 8	61	715524	Nut - 3/8-16 hex lock

- When servicing this unit use only genuine General Power OEM replacement parts that are specifically designed and engineered for this particular model.
- Do not operate unit unless all parts are properly attached and in good working order.
- Parts are right or left hand as viewed from the operator's position.
- Specifications are subject to change without notice.